

# 90 X 110 X 40 CM

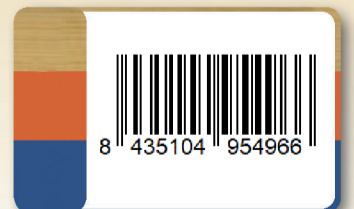
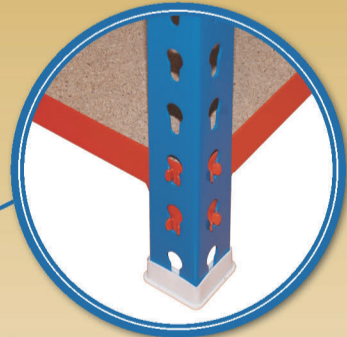
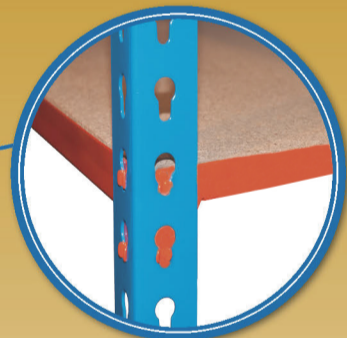
## 35.4" X 43.3" X 15.7"

### MADERCLICK SUPERPLUS 3/400

**5** Años Garantía  
Years Guarantee  
Jahre Garantie  
Ans Garantie  
Anos de Garantia  
**SIMONRACK**



**600 kg**  
(1350 lb)  
**Total**



ESTANTERIAS SIMON S.L. B.50.556.463  
PG. ALFAMEN C/ POLIGONO C, N°3  
ALFAMEN (ZARAGOZA)

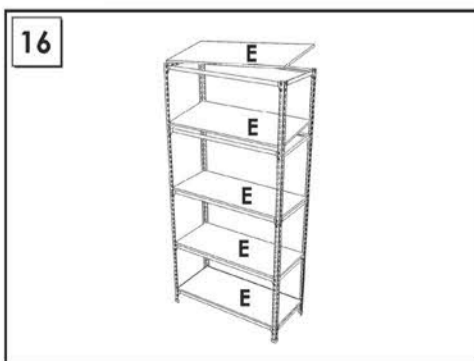
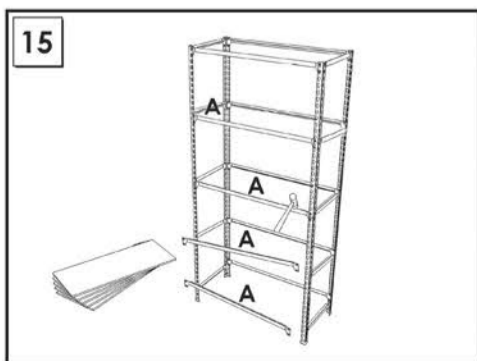
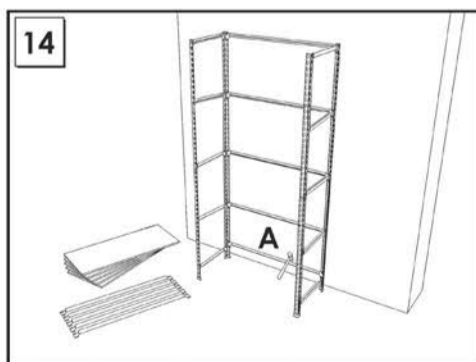
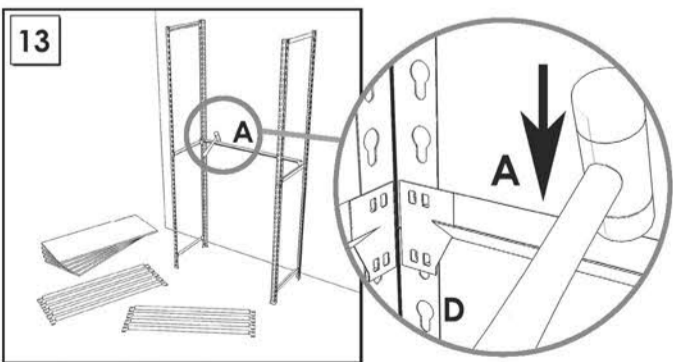
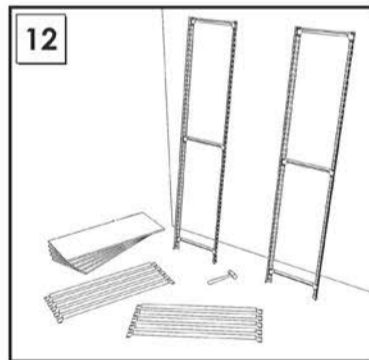
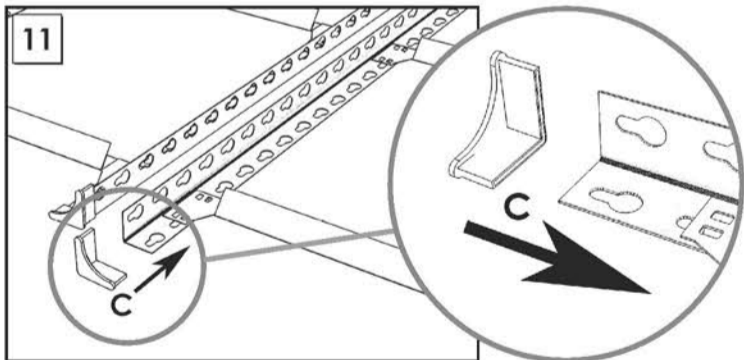
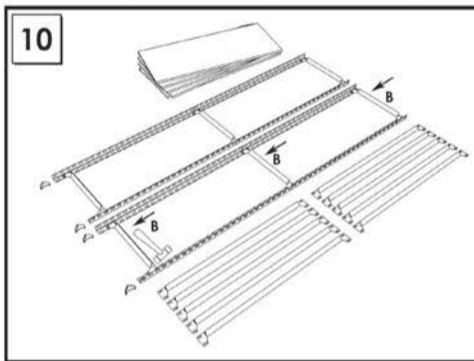
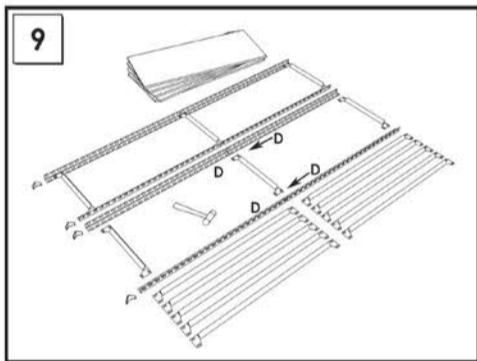
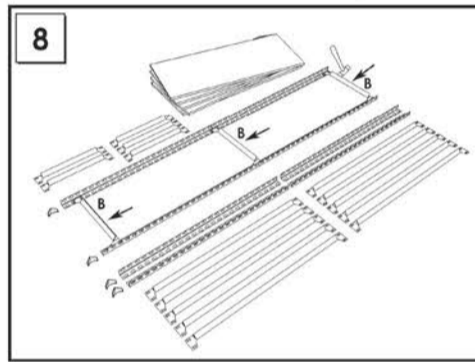
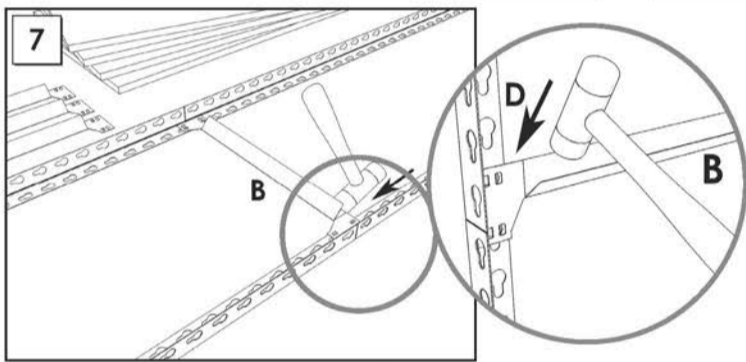
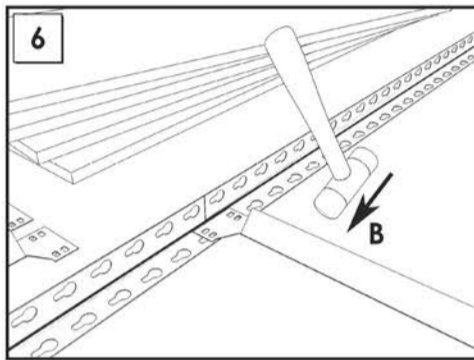
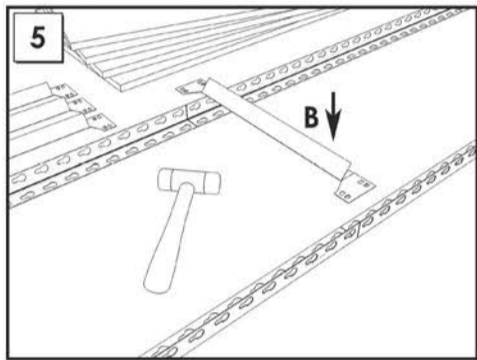
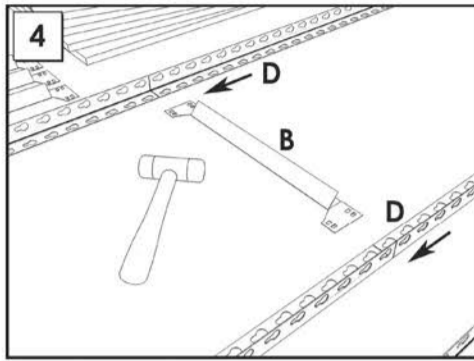
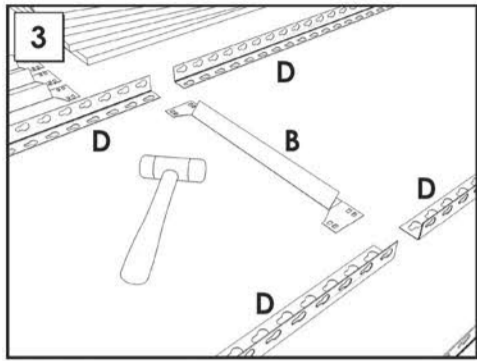
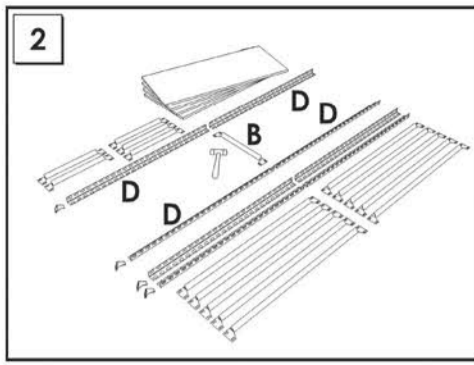
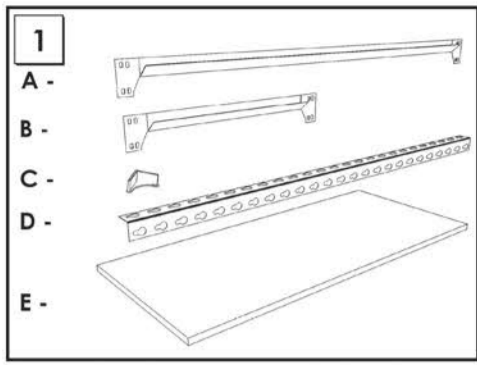
**Simon Rack**  
SINCE 1964 - MANUFACTURER



[www.simonrack.com](http://www.simonrack.com)



INSTRUCTIONS



On-line instructions: [www.instructionsrack.com/maderclick](http://www.instructionsrack.com/maderclick)

**SIMONCLASSIC**



**SIMONCLICK**



**SIMONOFFICE**



**SIMONTALLER**



**BANCOS DE TRABAJO WORK BENCHES**



**SIMONHOME**



**TAQUILLAS LOCKER**



**SIMONTITÁN**



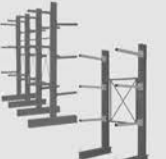
**SIMONINOX**



**SIMONPALET**



**SIMONLEVER**



**ALTILLOS Y PASILLOS ELEVADOS PLATFORMS AND MEZZANINES**

