

# 150 X 120 X 50 CM

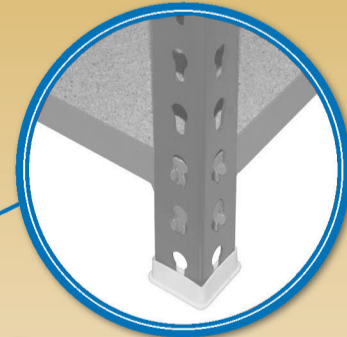
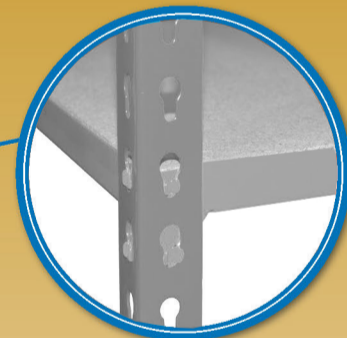
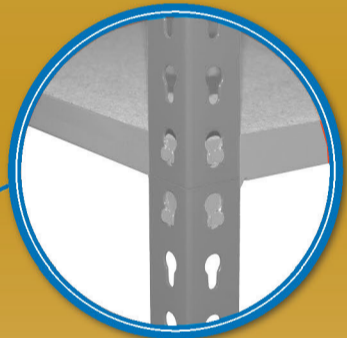
## 59.1" X 47.2" X 19.7"

### MADERCLICK MEGAPLUS 4/500

**5** Años Garantía  
Years Guarantee  
Jahre Garantie  
Ans Garantie  
Anos de Garantía  
**SIMONRACK**



**800 kg**  
(1800 lb)  
**Total**



OPTION



ESTANTERIAS SIMON S.L. B.50.556.463  
PG. ALFAMEN C/ POLIGONO C, N°3  
ALFAMEN (ZARAGOZA)

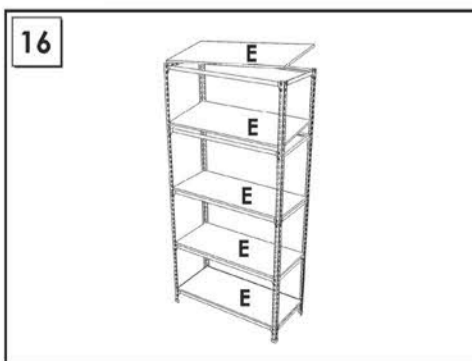
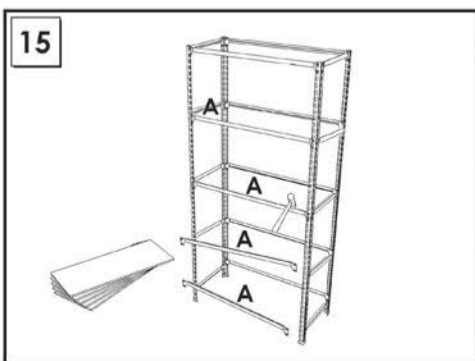
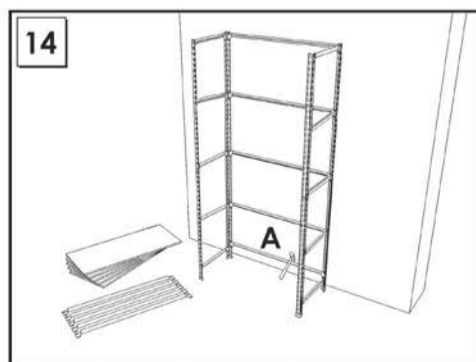
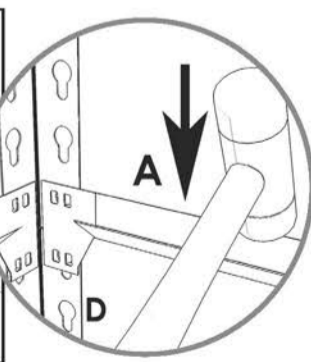
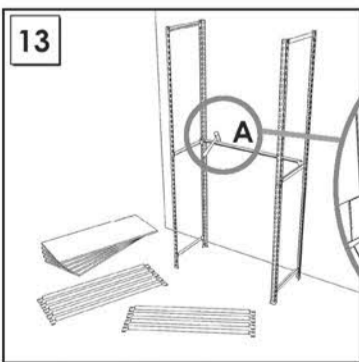
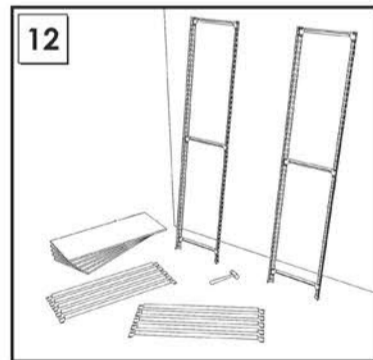
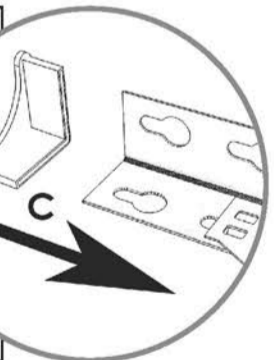
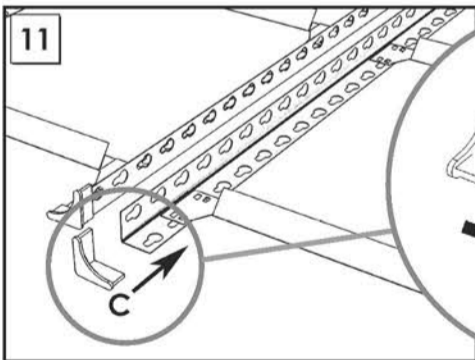
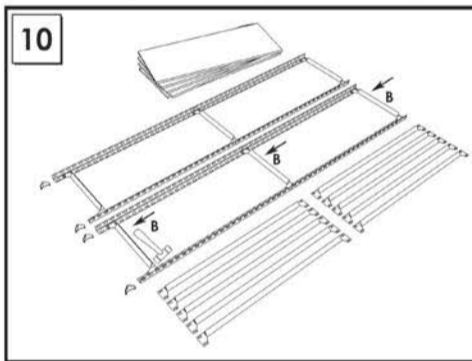
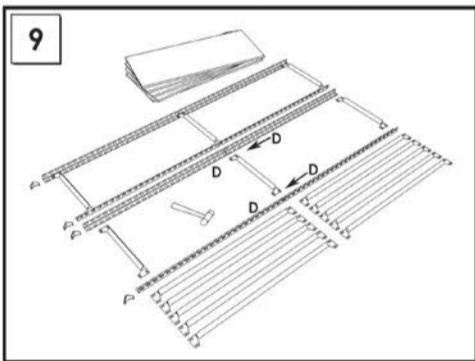
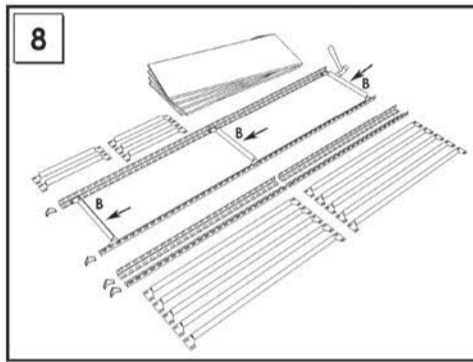
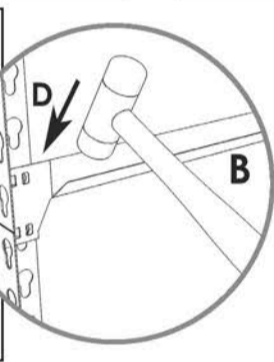
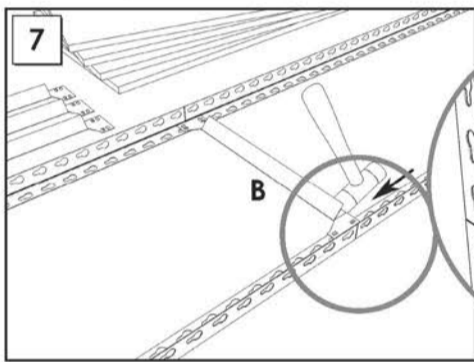
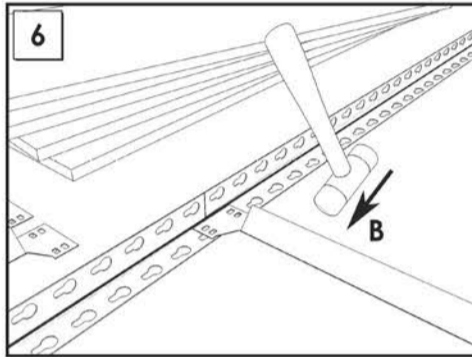
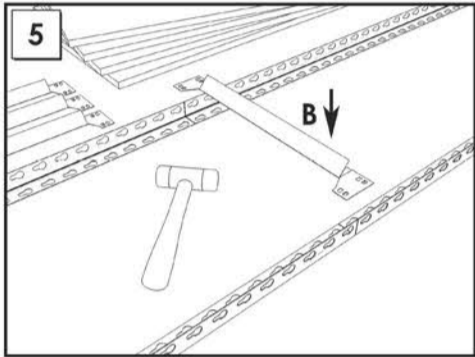
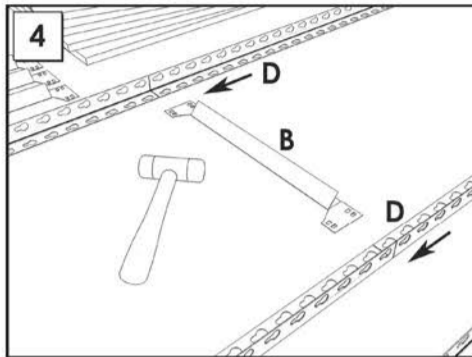
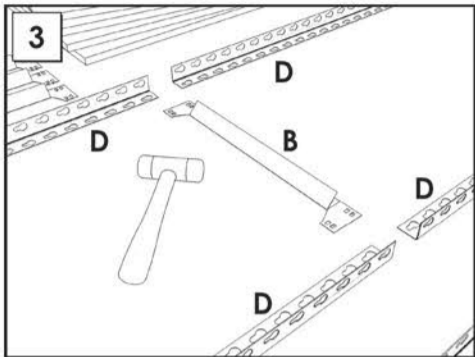
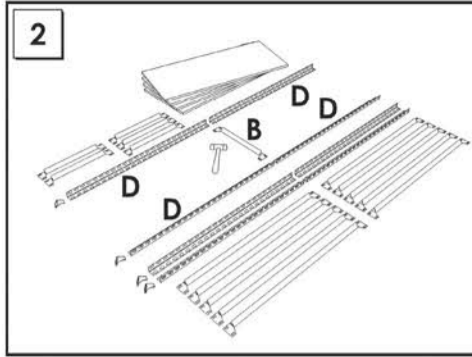
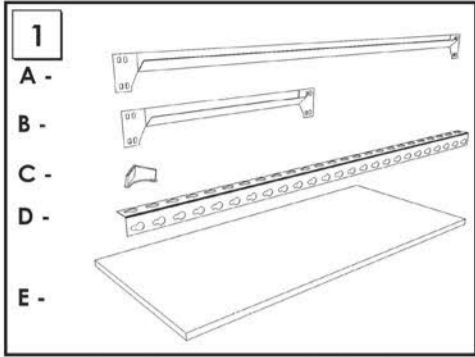
**Simon**  
**Rack**  
SINCE 1964 - MANUFACTURER



[www.simonrack.com](http://www.simonrack.com)



INSTRUCTIONS



On-line instructions: [www.instructionsrack.com/maderclick](http://www.instructionsrack.com/maderclick)

[www.simonrack.com](http://www.simonrack.com)

**SIMONCLASSIC**



Up to:  
**150 Kg**  
(331 lb)  
Kg/Shelf  
Uniformly Distributed Load



**SIMONCLICK**



Up to:  
**400 Kg**  
(882 lb)  
Kg/Shelf  
Uniformly Distributed Load



**SIMONOFFICE**



Up to:  
**275 Kg**  
(606 lb)  
Kg/Shelf  
Uniformly Distributed Load



**SIMONTALLER**



Up to:  
**700 Kg**  
(1543 lb)  
Kg/Shelf  
Uniformly Distributed Load



**BANCOS DE TRABAJO  
WORK BENCHES**

Up to:  
**800 Kg**  
(1764 lb)  
Kg/Shelf  
Uniformly Distributed Load



**SIMONHOME**

Up to:  
**150 Kg**  
(331 lb)  
Kg/Shelf  
Uniformly Distributed Load



**TAQUILLAS  
LOCKER**



**SIMONTITÁN**



Up to:  
**900 Kg**  
(1984 lb)  
Kg/Shelf  
Uniformly Distributed Load



**SIMONINOX**



**SIMONPALET**

Up to:  
**4500 Kg**  
(9921 lb)  
Kg/Shelf  
Uniformly Distributed Load



**SIMONLEVER**



**ALTILLOS Y PASILLOS ELEVADOS  
PLATFORMS AND MEZZANINES**

