

# 150 x 110 x 30 cm

## 59.1" x 43.3" x 11.8"

### SIMONCLICK SUPERPLUS 4/300

**5** Años Garantía  
Years Guarantee  
Jahre Garantie  
Ans Garantie  
**SIMONRACK**

**200 kg**  
(440 lb)



**800 kg**  
(1760 lb)  
**Total**

150 cm (59.1")

**200 kg**  
(440 lb)

**200 kg**  
(440 lb)

**200 kg**  
(440 lb)



50 cm  
(19.7")

110 cm (43.3")



**Simon**  
**Rack**  
SINCE 1964 - MANUFACTURER

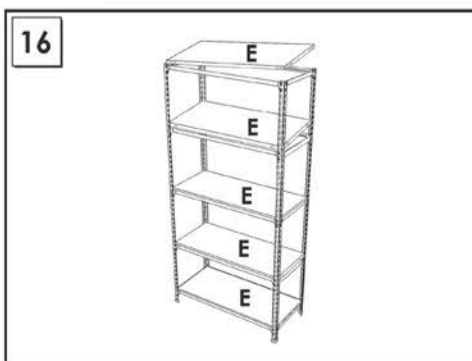
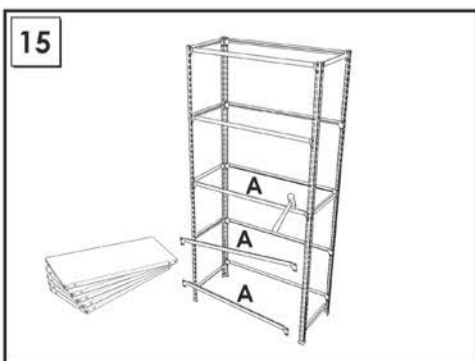
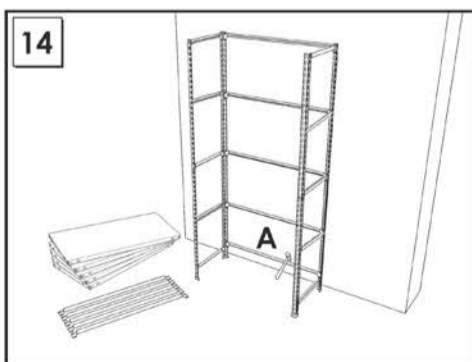
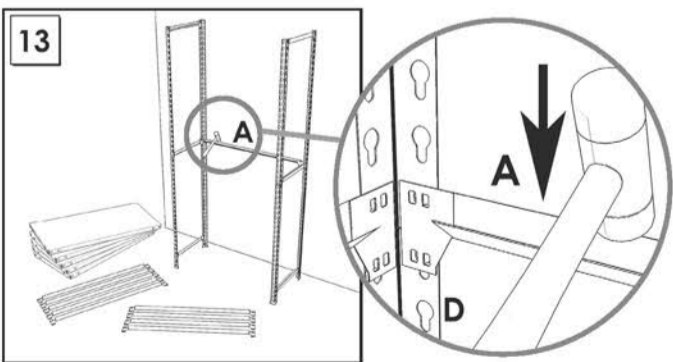
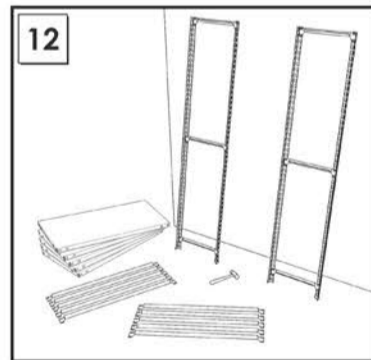
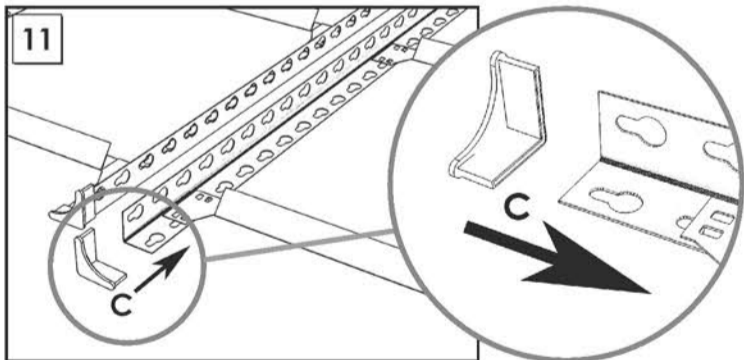
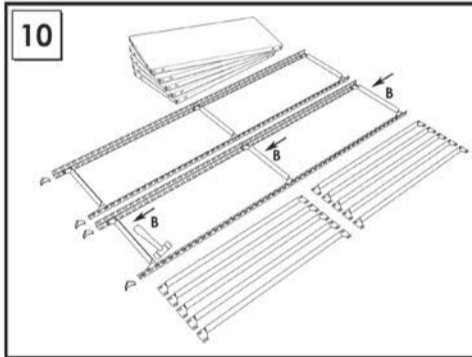
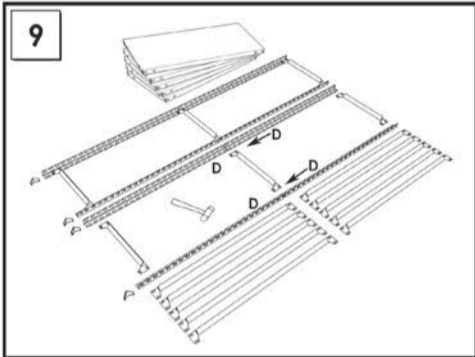
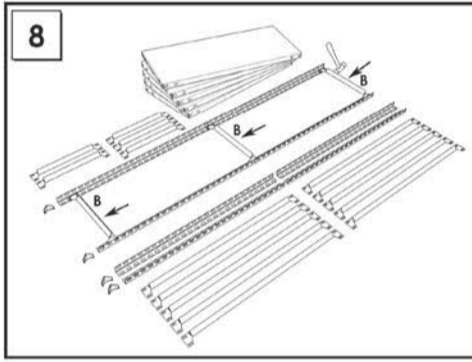
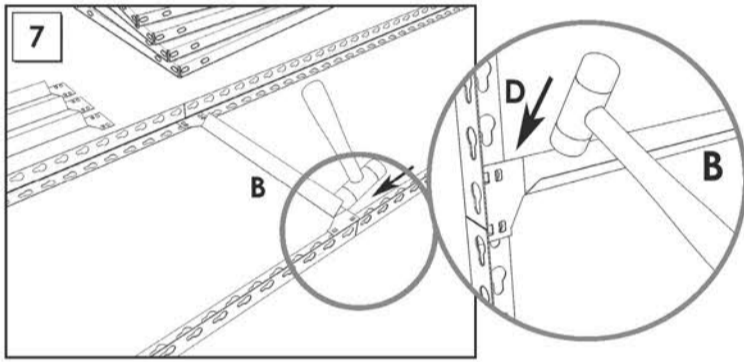
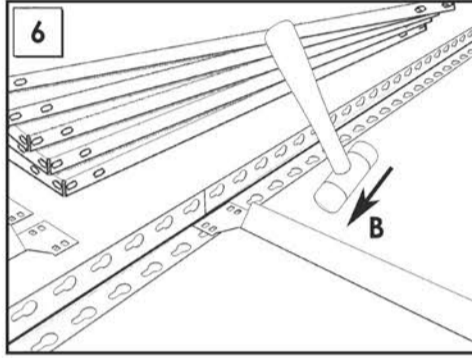
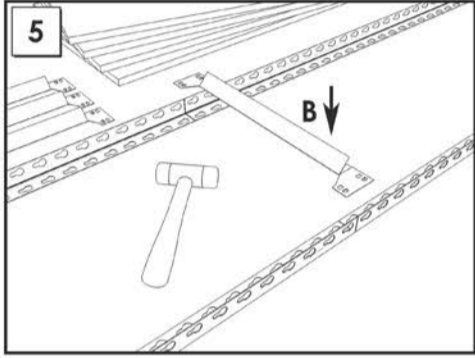
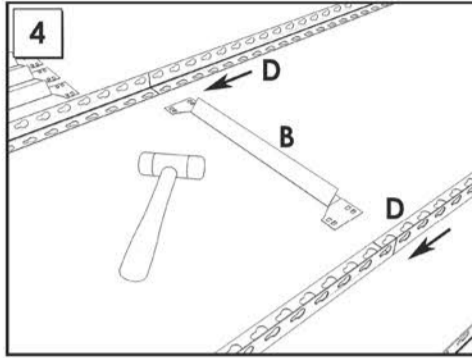
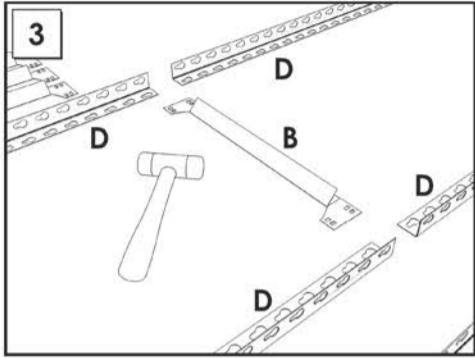
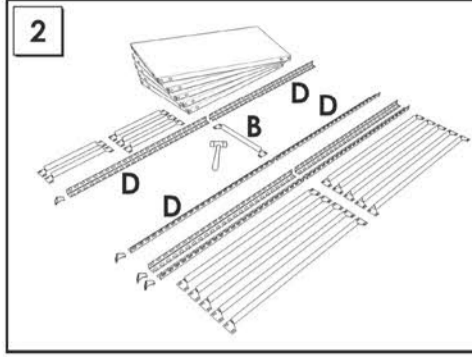
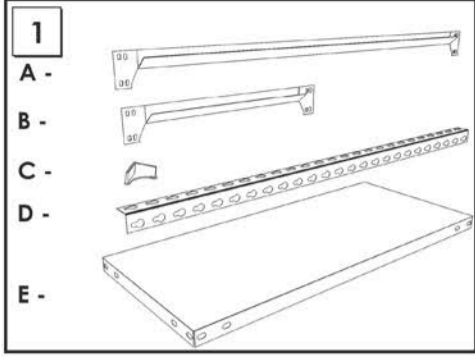
ESTANTERIAS SIMON S.L. B.50.556.463  
PG. ALFAMEN C/ POLIGONO C, N°3  
ALFAMEN (ZARAGOZA)



[www.simonrack.com](http://www.simonrack.com)



**INSTRUCTIONS**



On-line instructions: [www.instructionsrack.com/simonclick](http://www.instructionsrack.com/simonclick)

[www.simonrack.com](http://www.simonrack.com)

SIMONCLASSIC



SIMONCLICK



SIMONOFFICE



SIMONTALLER



BANCOS DE TRABAJO WORK BENCHES



SIMONHOME



TAQUILLAS LOCKER



SIMONTITÁN



SIMONINOX



SIMONPALET



SIMONLEVER



ALTILLOS Y PASILLOS ELEVADOS PLATFORMS AND MEZZANINES

