

# 150 X 120 X 30 CM

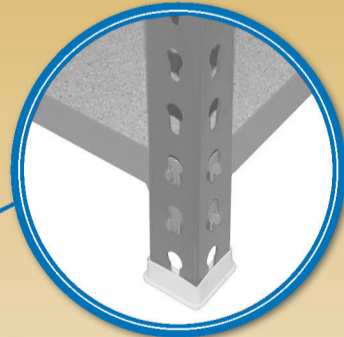
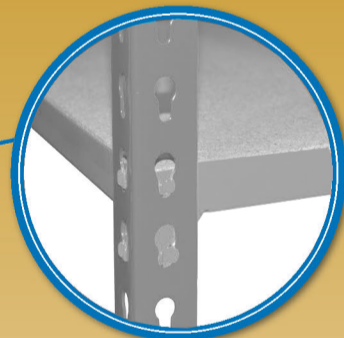
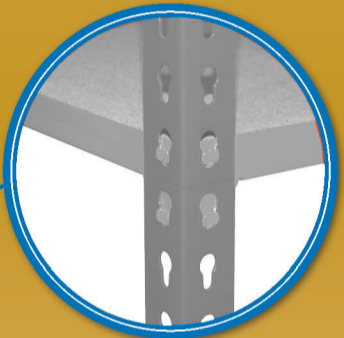
## 59.1" X 47.2" X 11.8"

### MADERCLICK MEGAPLUS 4/300

**5** Años Garantía  
Years Guarantee  
Jahre Garantie  
Ans Garantie  
Anos de Garantía  
**SIMONRACK**



**800 kg**  
(1800 lb)  
**Total**



ESTANTERIAS SIMON S.L. B.50.556.463  
PG. ALFAMEN C/ POLIGONO C, N°3  
ALFAMEN (ZARAGOZA)

**Simon**  
**Rack**  
SINCE 1964 - MANUFACTURER



[www.simonrack.com](http://www.simonrack.com)



**INSTRUCTIONS**

