

SIMONWORK

BT2 1200

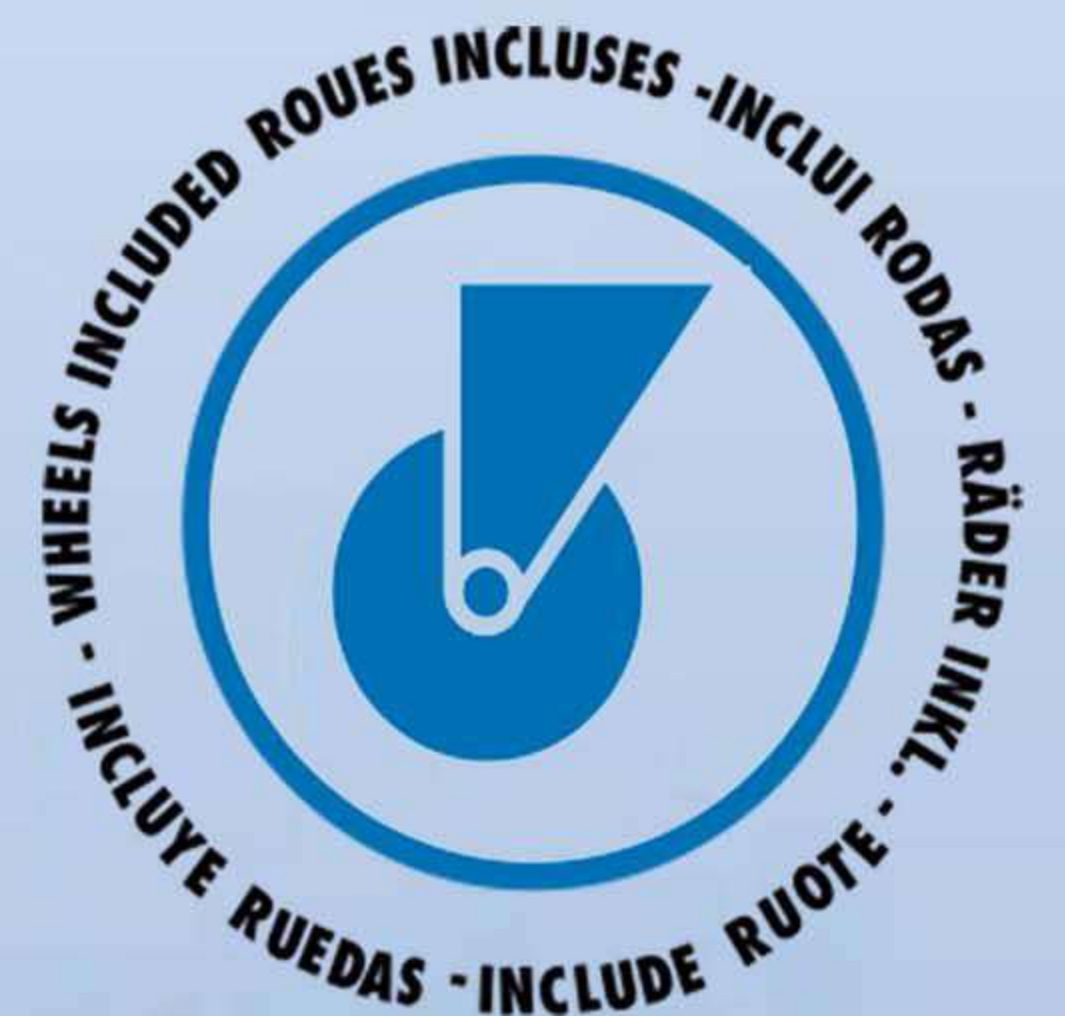
mobile*



Simon Rack
SINCE 1964 - MANUFACTURER

152 x 121 x 61 cm

59.2" x 47.6" x 24.0"



Carga uniformemente repartida
Evenly distributed load
Gleichmäßig verteilte Last
Charge uniformément répartie
Carga uniformemente distribuída

- 1 x 120 x 60 cm (47.2" x 23.6")
- 2 x 84 cm (33.1")
- 2 x 144 cm (56.7")
- 4 x 120 cm (47.2")
- 4 x 60 cm (23.6")
- 1 x MDF 120 x 60 cm (47.2" x 23.6")
- 1 x 120 x 35 cm (47.2" x 13.8")
- 1 x 120 cm (47.2")
- 60 cm (23.6")
- 8 x [Bolts and nuts]
- 2 x [Wheels]
- 2 x [Wheels]
- 12 x [Bolts and nuts]



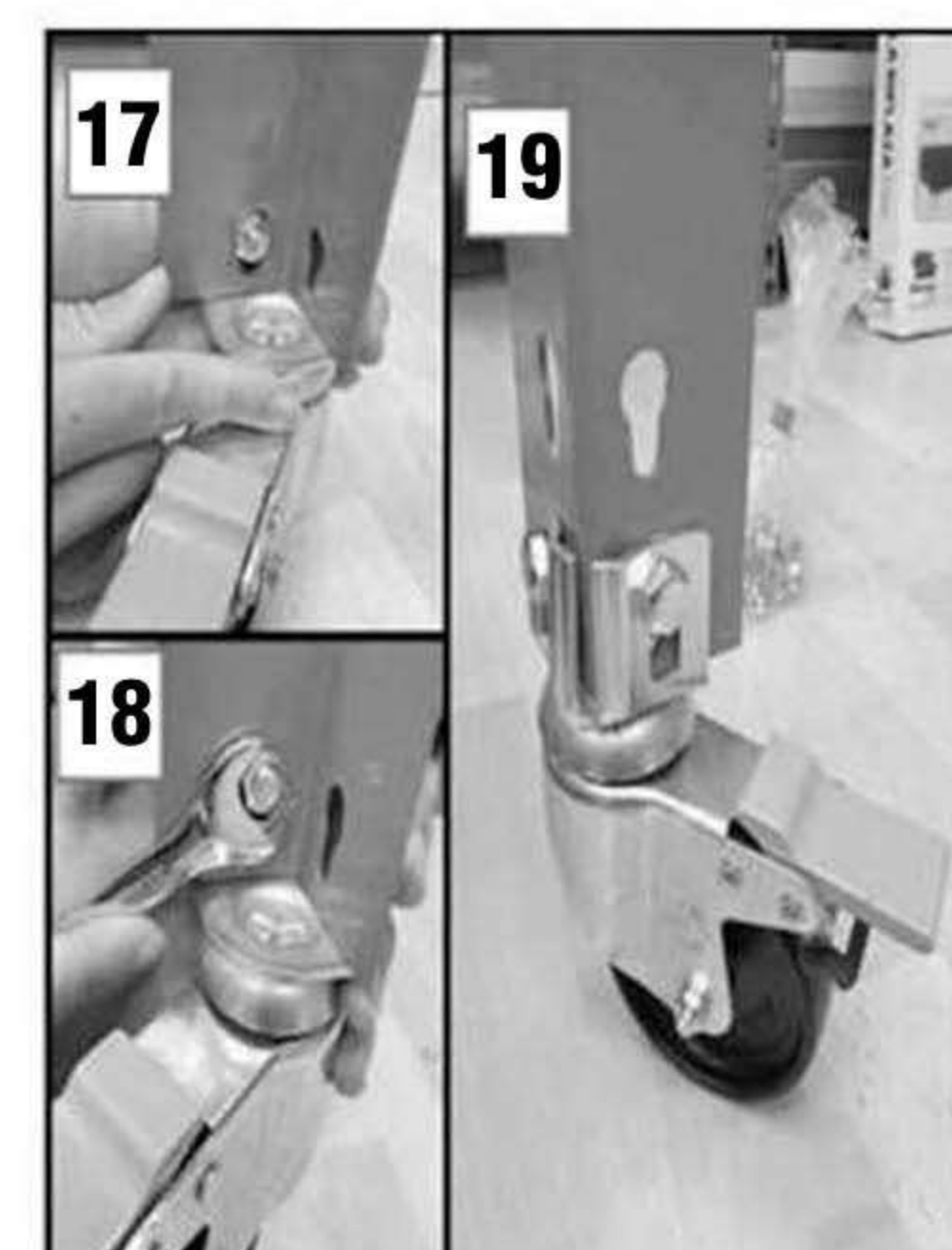
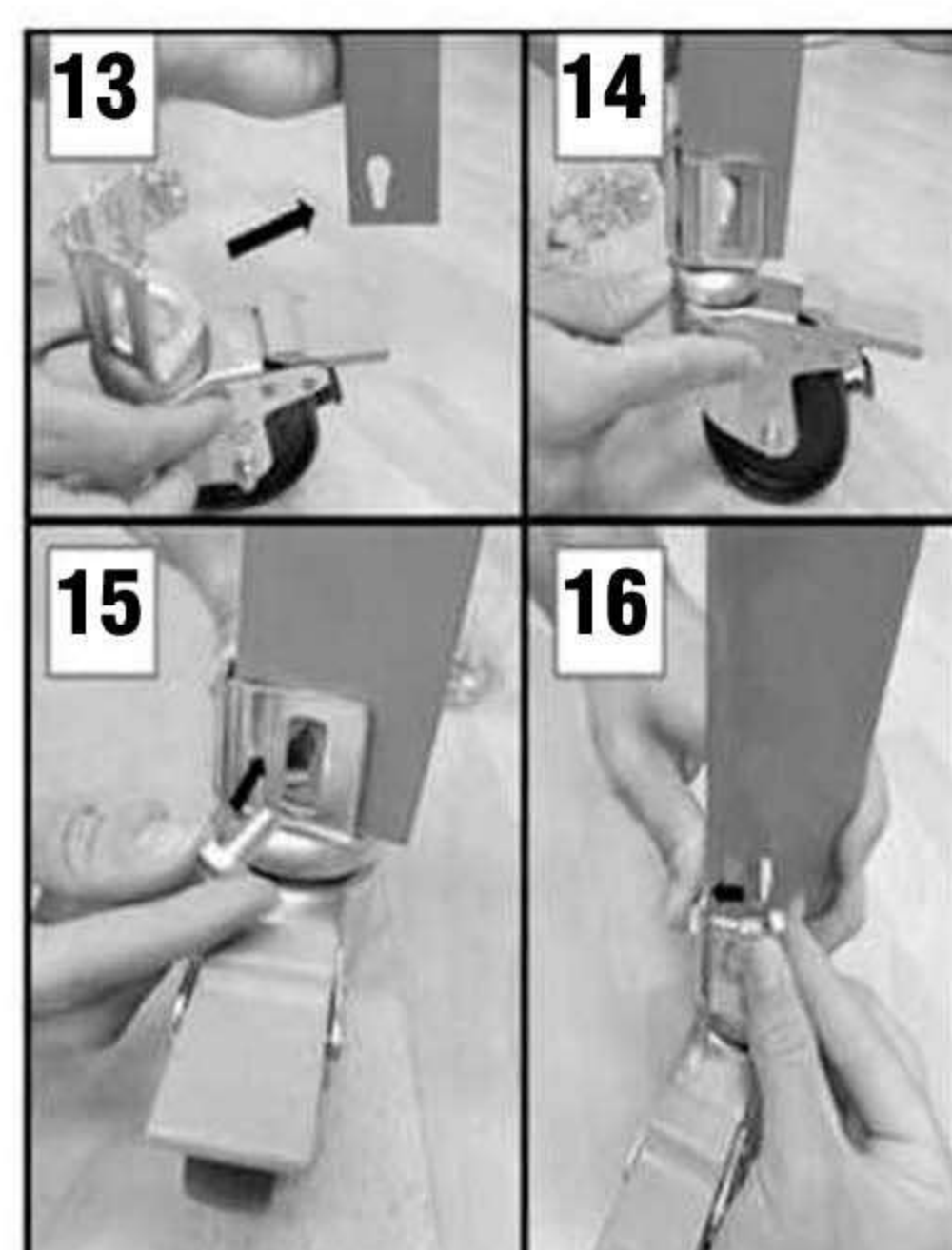
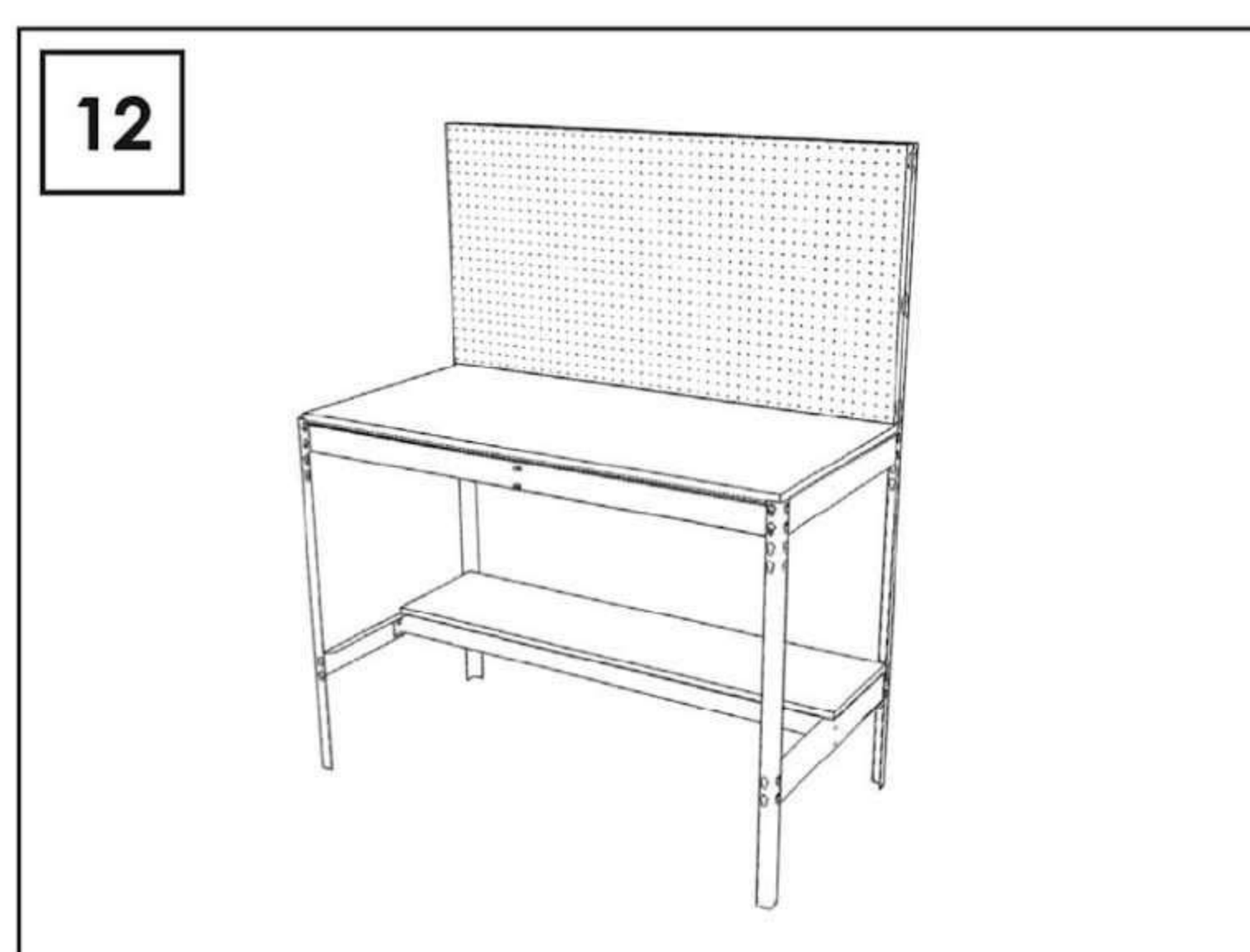
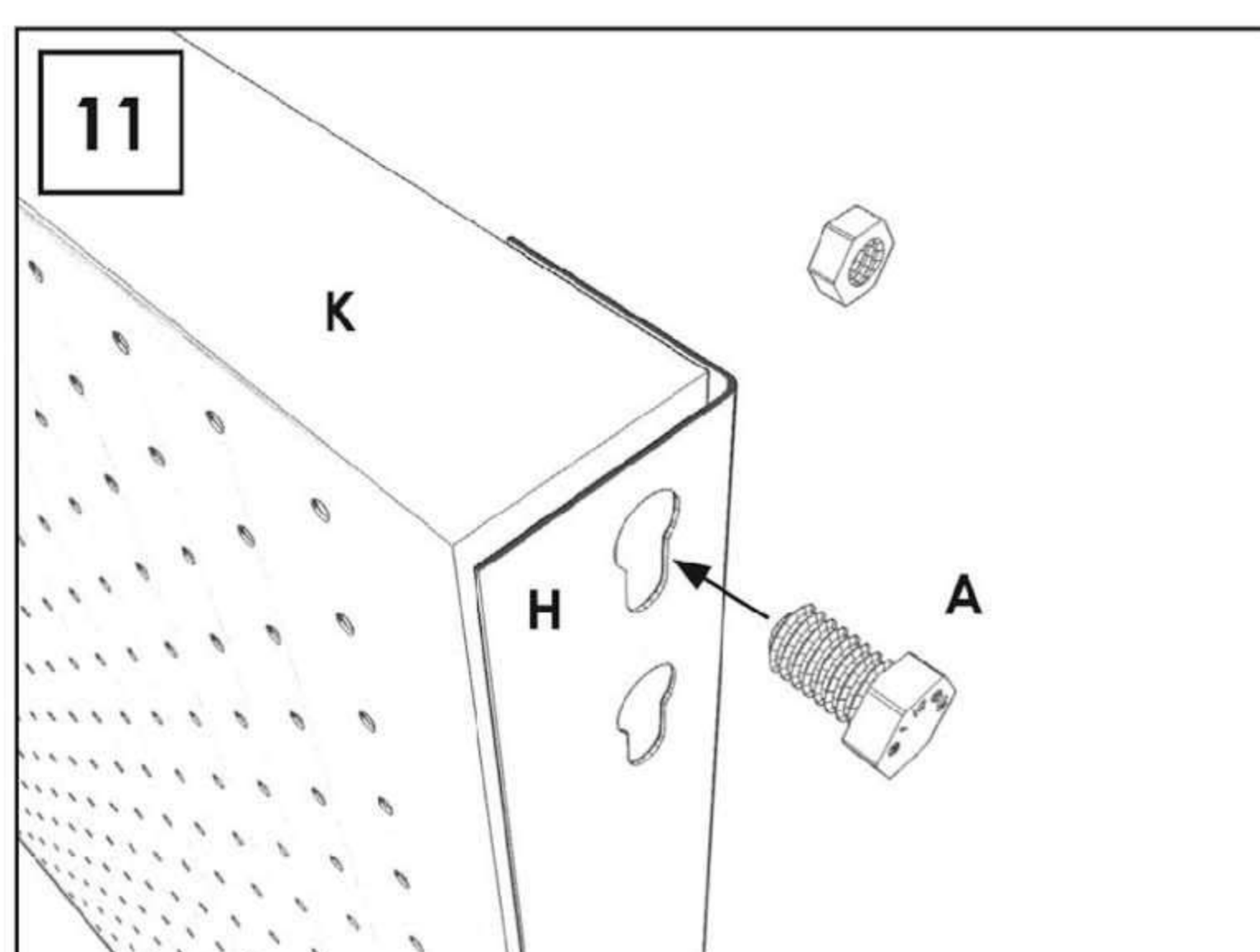
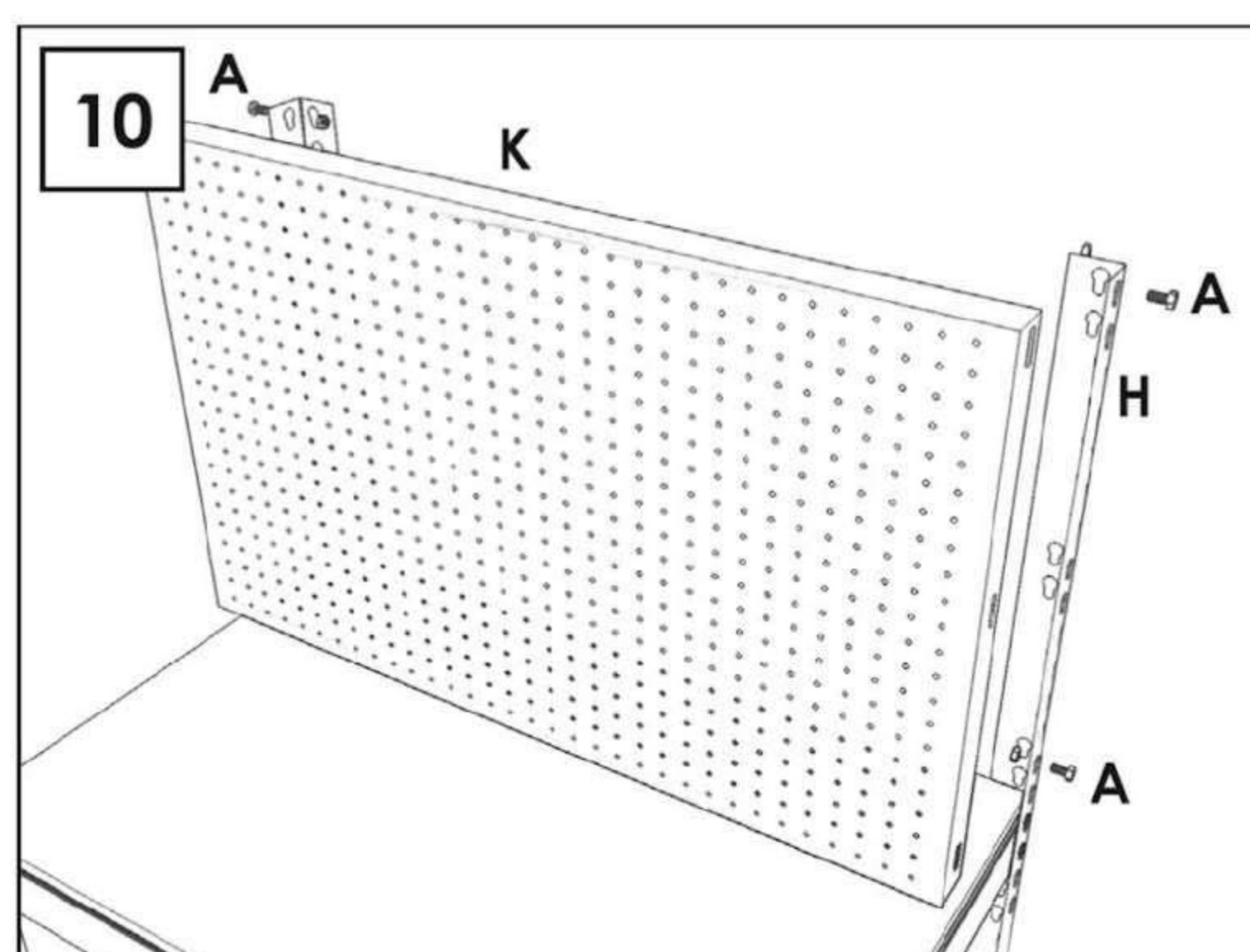
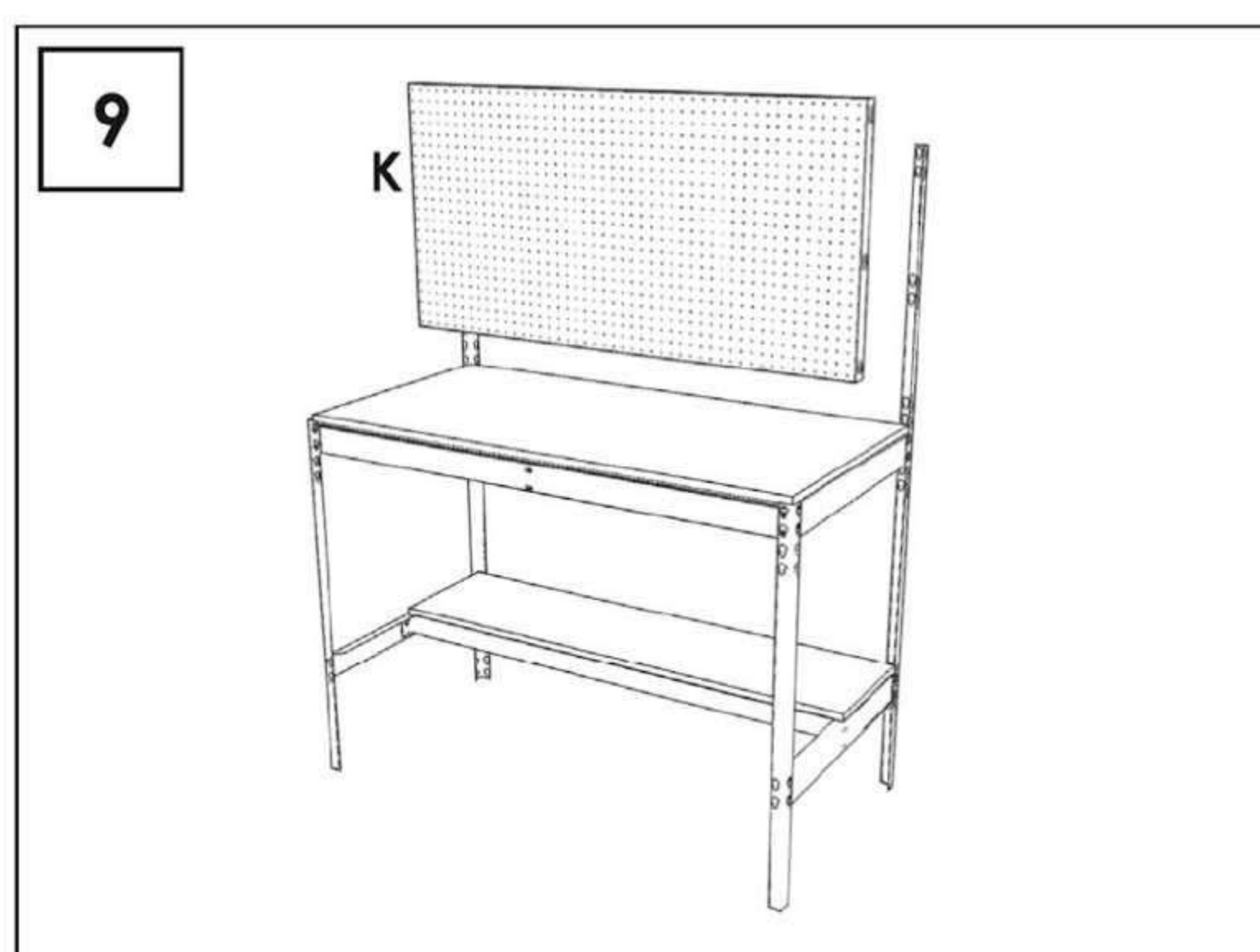
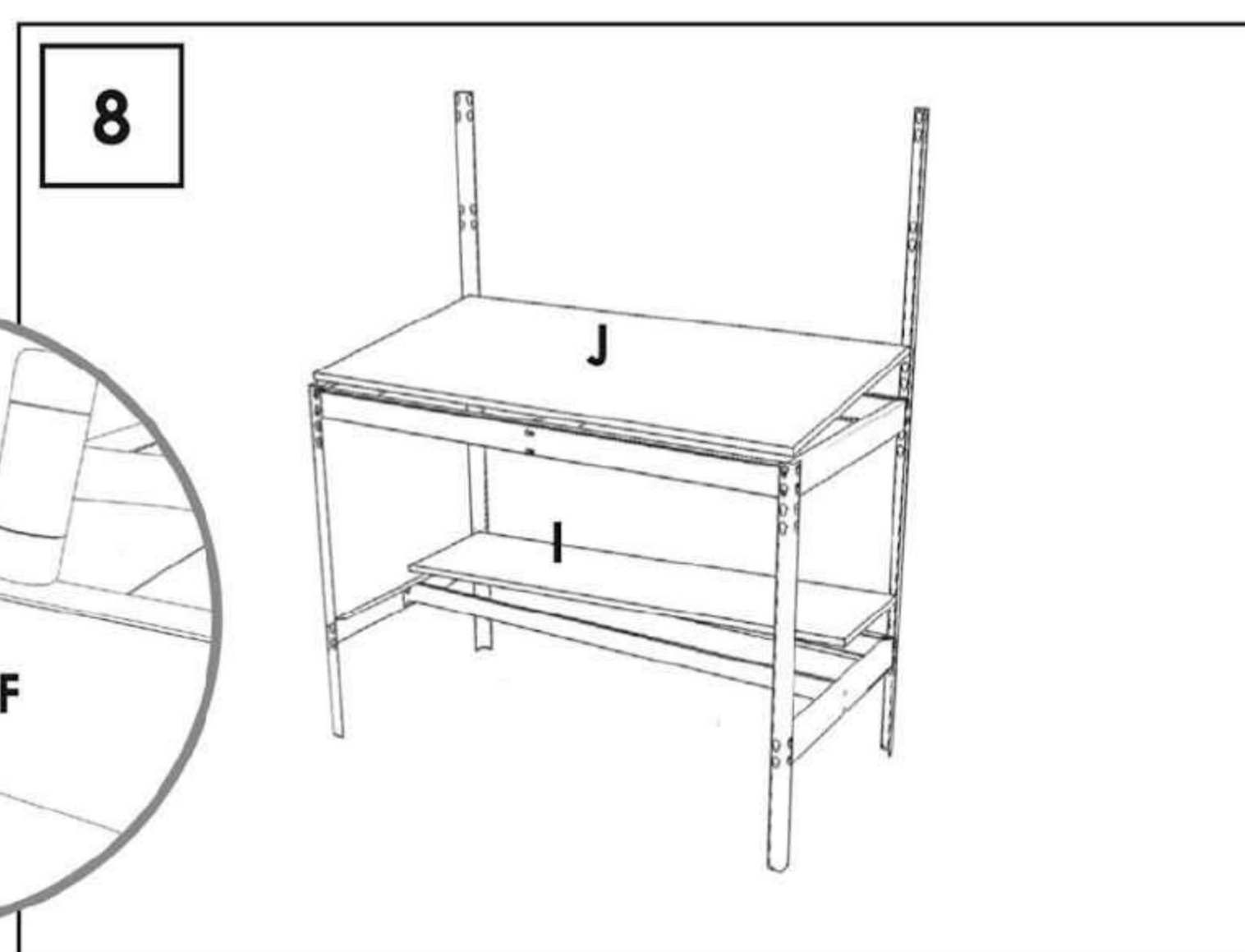
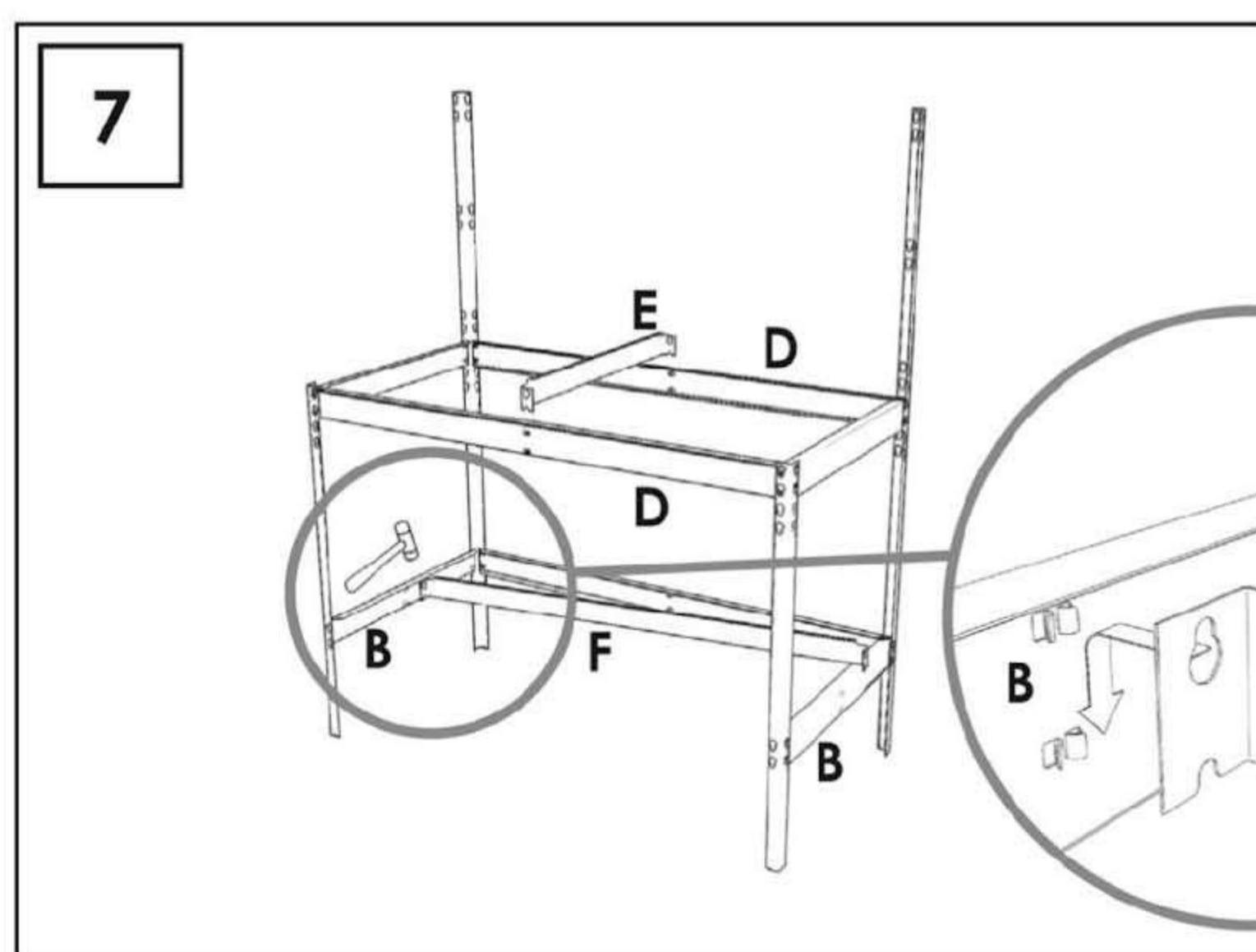
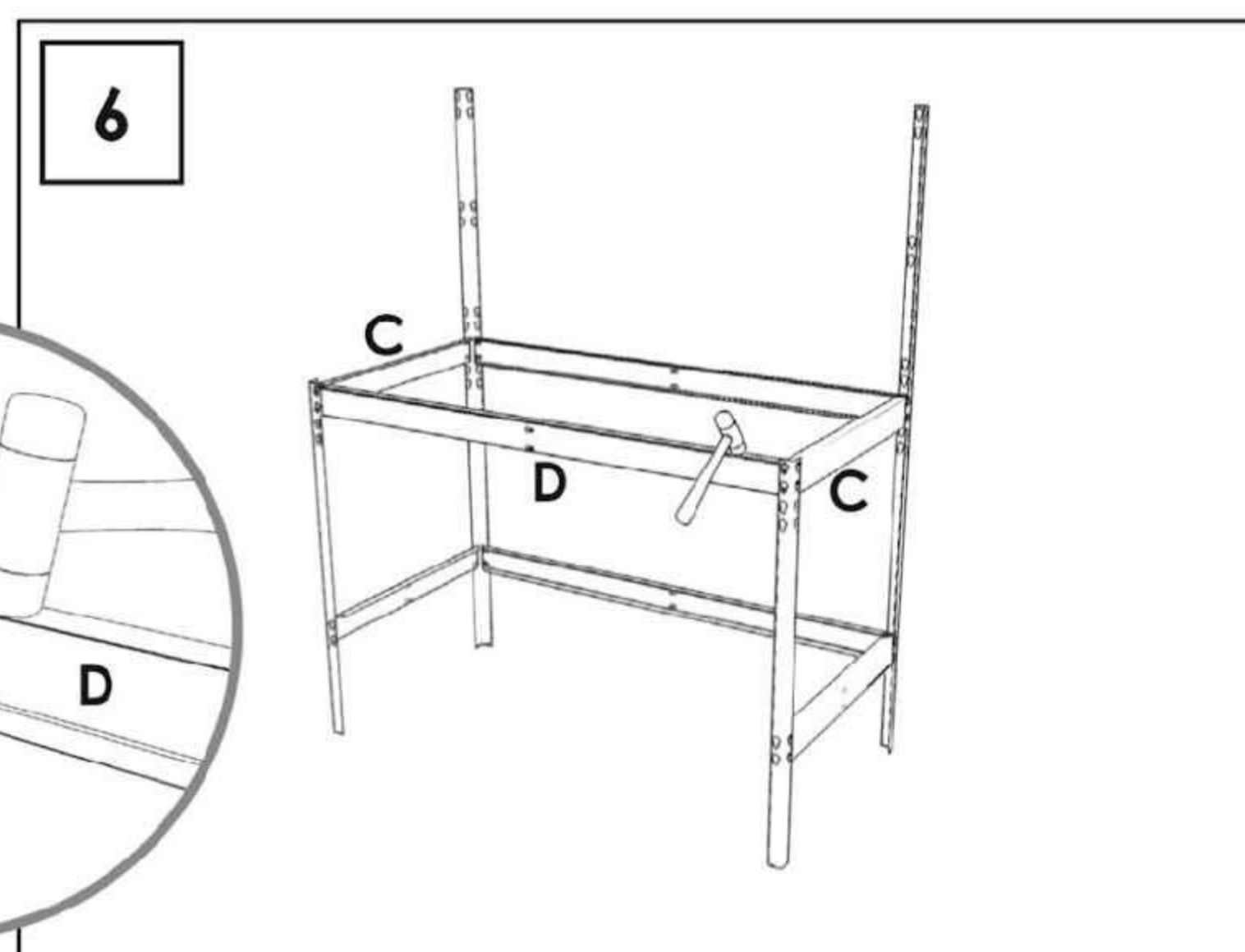
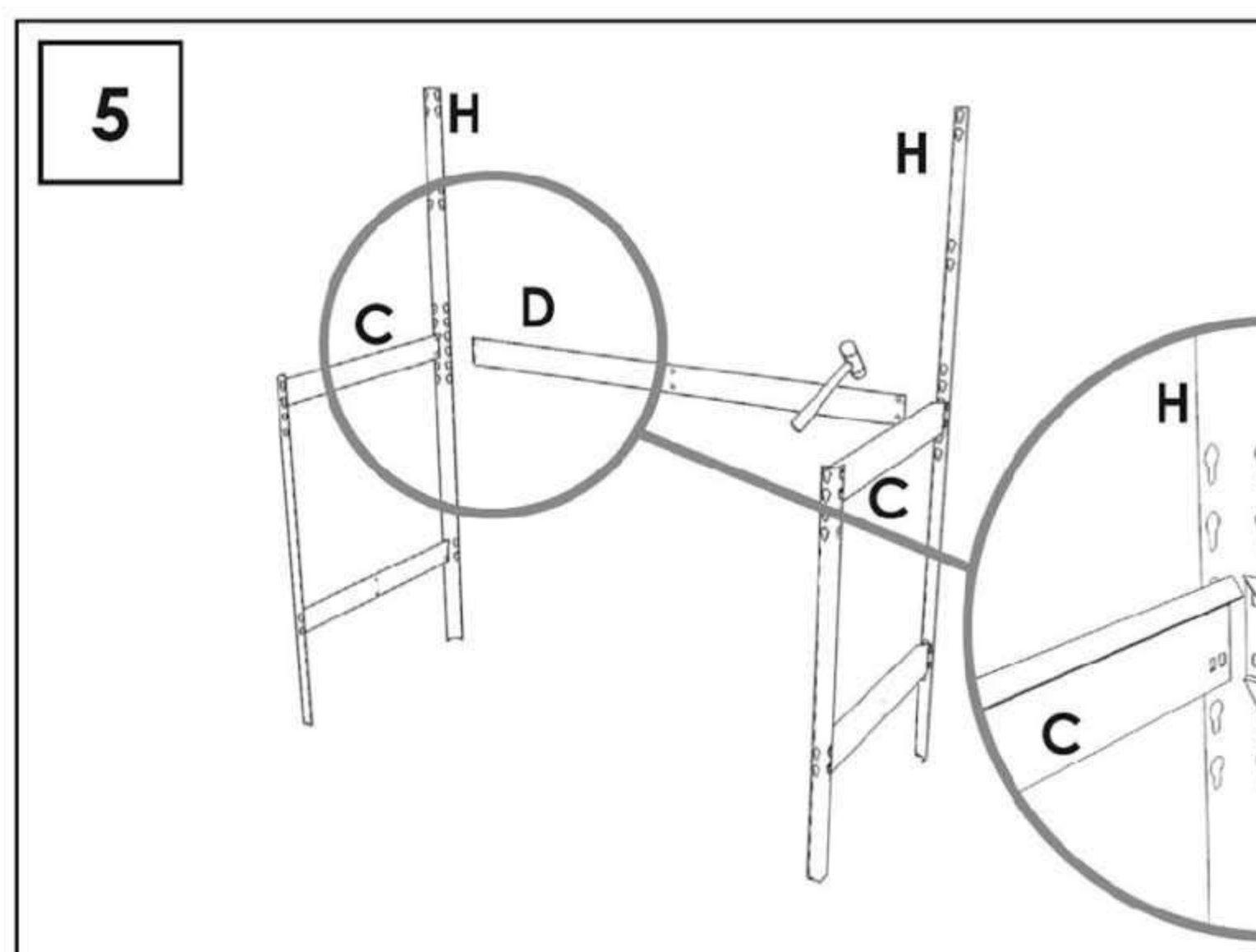
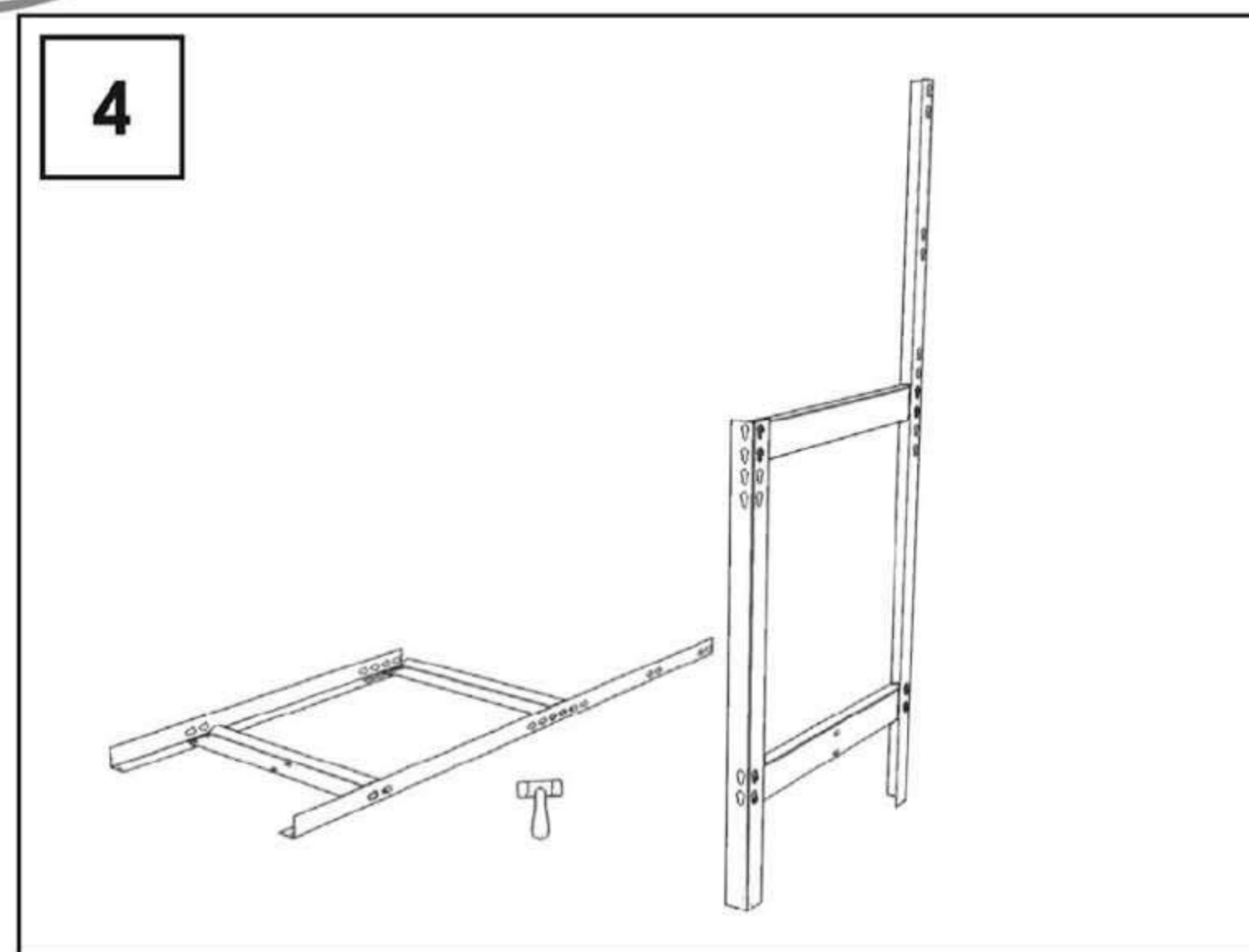
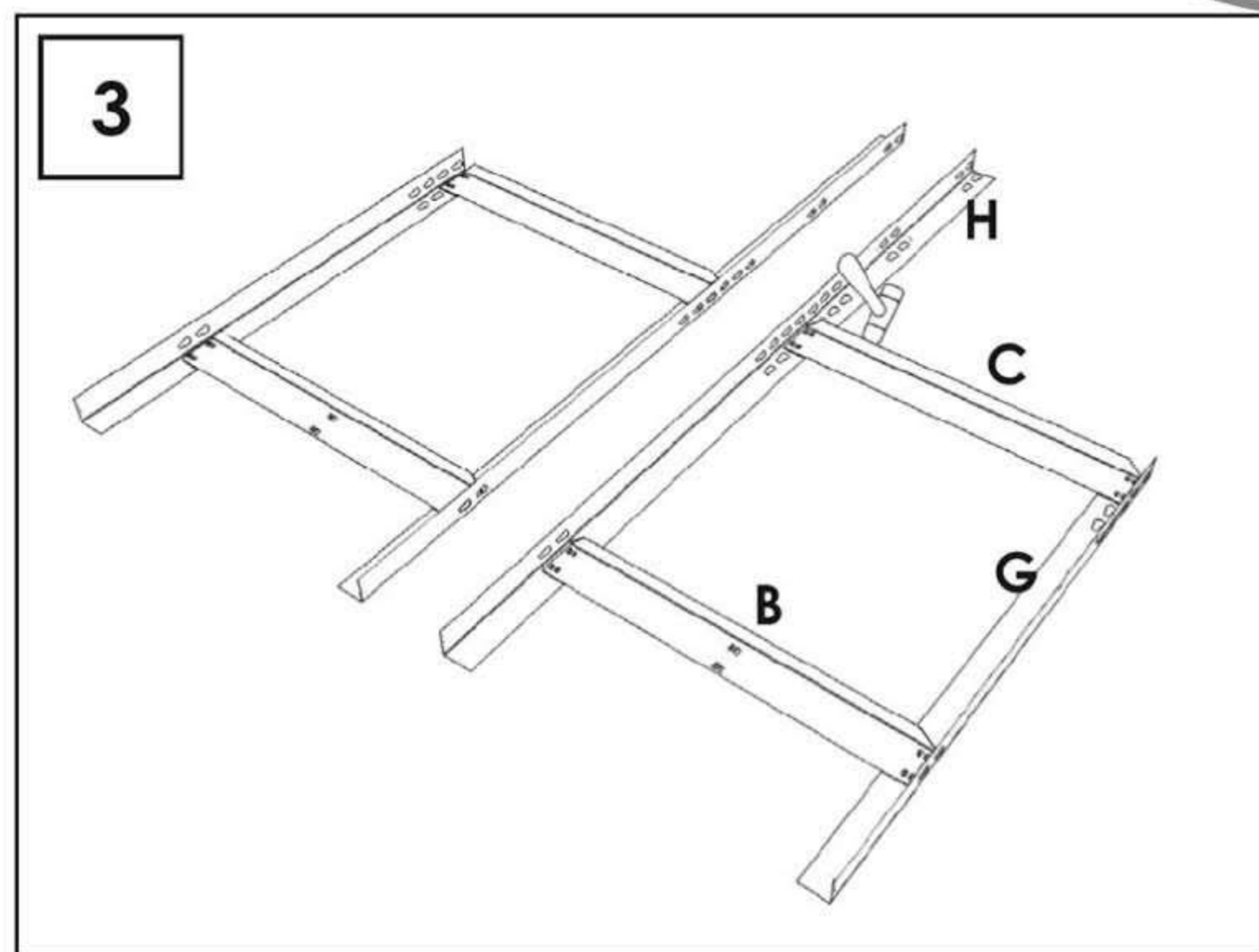
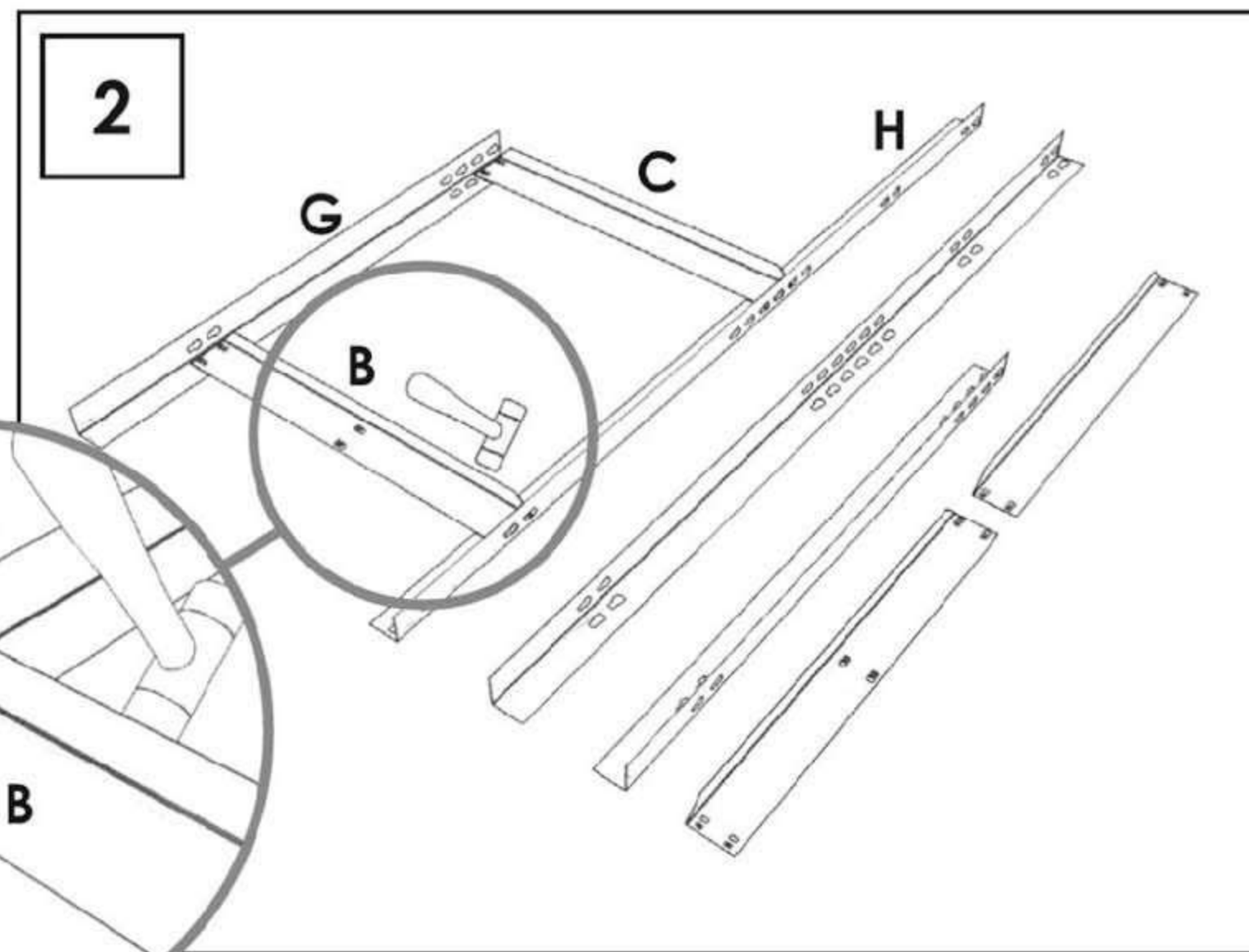
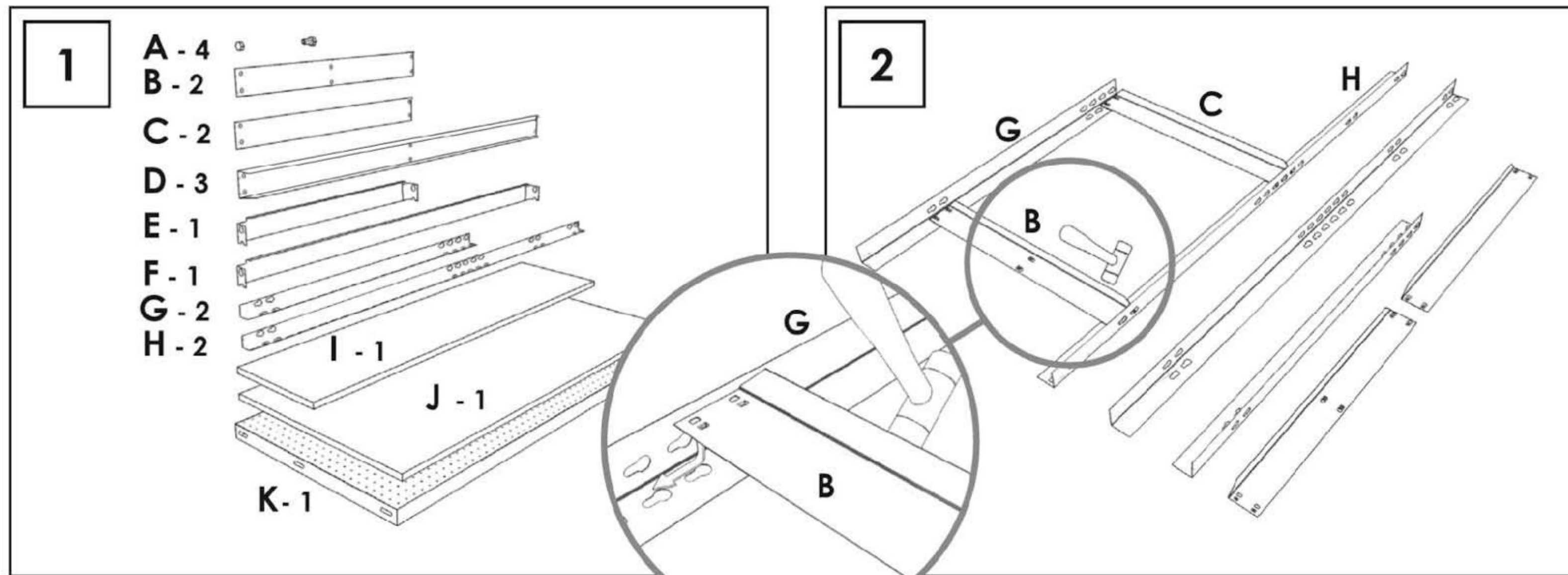
ESTANTERIAS SIMON S.L. B.50.556.463
PG. ALFAMEN C/ POLIGONO C. Nº3
ALFAMEN (ZARAGOZA)



www.simonrack.com



INSTRUCCIONES
INSTRUCTIONS
ANLEITUNG
INSTRUCTIONS



SIMONCLASSIC



SIMONCLICK



SIMONTALLER



SIMONAUTO



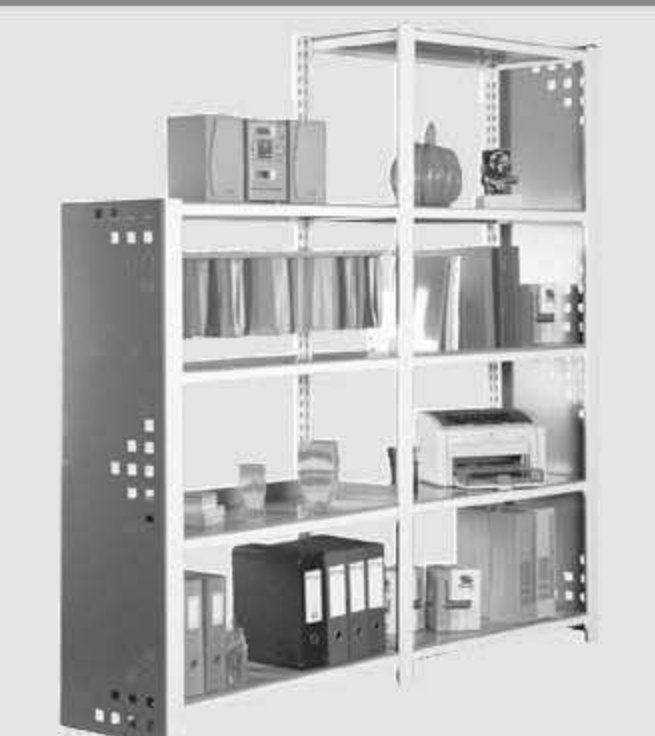
SIMONWORK



SIMONLOCKER



SIMONOFFICE



SIMONHOME



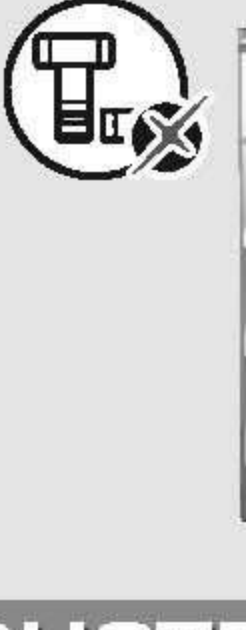
SIMONGARDEN



SIMONTITÁN



SIMONINOX



SIMONINDUSTRIAL

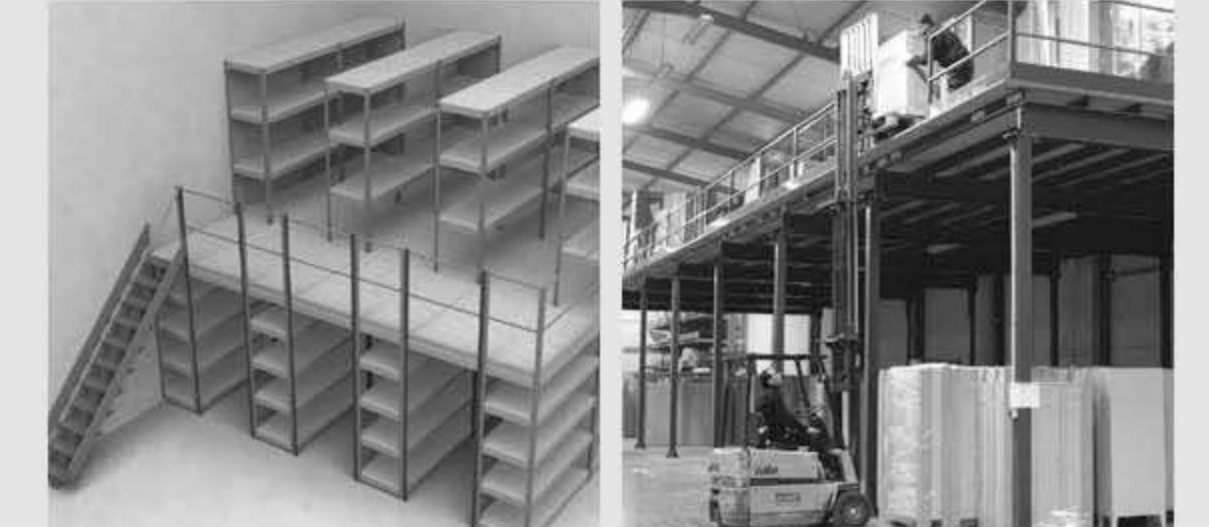
SIMONPALET



SIMONLEVER



ALTILLOS Y PASILLOS ELEVADOS
PLATFORMS AND MEZZANINES
LAGERBÜHNEN • PLATES-FORMES ET MEZZANINES



* Kg / lb por bandeja con carga uniformemente repartida
Kg / lb per shelf uniformly distributed load
Kg / lb pro fach bei gleichmäßig verteilter last
Kg / lb par plateau avec charge uniformément répartie

