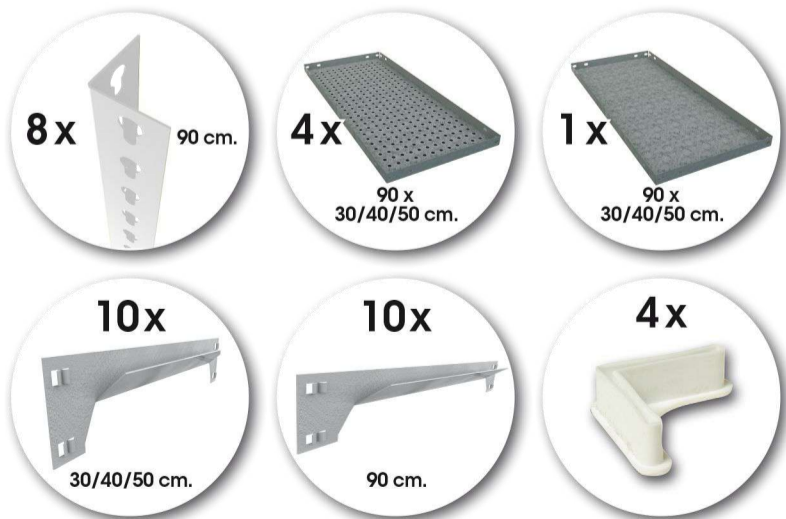


# Simonclick Garden



180x90x30 cm.



180x90x40 cm.



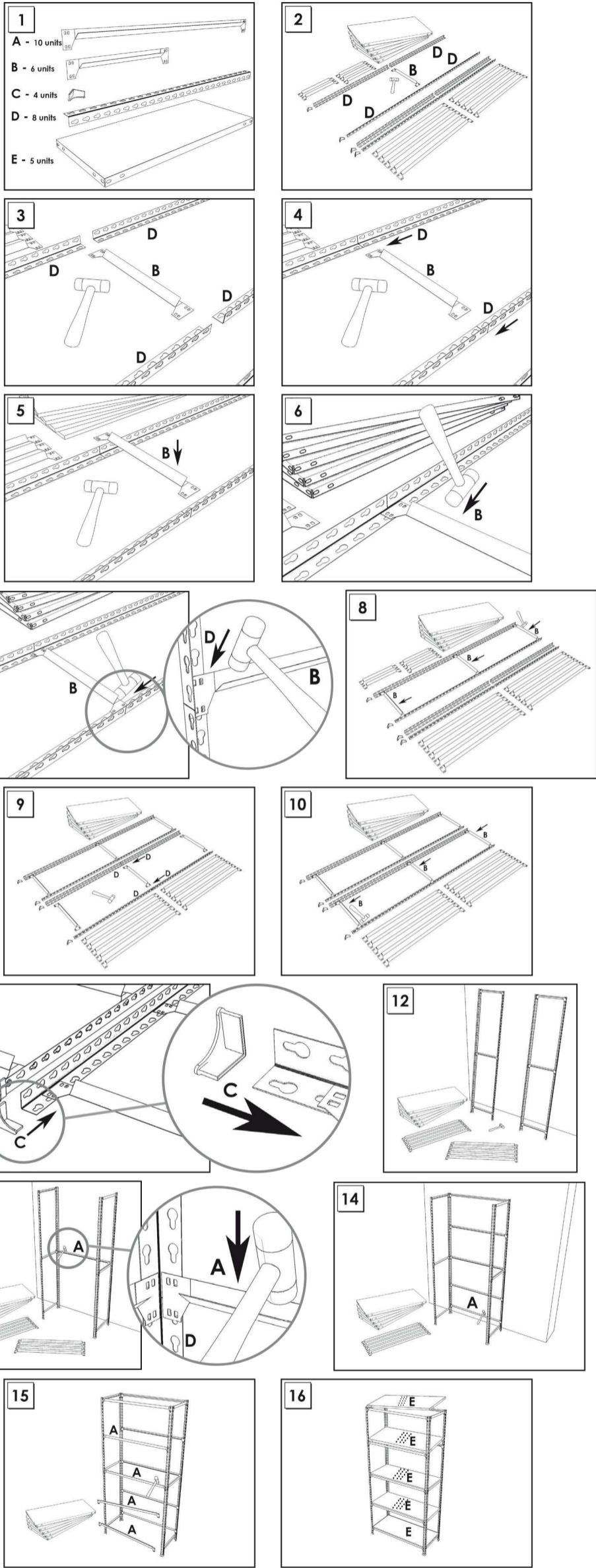
180x90x50 cm.



info@simonrack.com  
www.simonrack.com  
Polígono de Alfamén  
C/ Polígono C, nº 3  
50.461 Alfamén (Zaragoza) SPAIN  
Telf. (+34) 976 628 537  
Fax (+34) 976 628 542



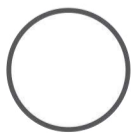
**INSTRUCTIONS**



Kg./Shelf  
Uniformly Distributed Load



Montaje sin Tornillos  
Boltless  
Montage ohne Schrauben  
Montaggio senza Viti  
Montage sans vis



Color del producto  
Structure Colours  
Produkt Farbe  
Prodotto Colore  
Couleur du produit



Bandeja Perforada  
Perforated Shelf  
Perforierte Tray  
Castello Perforato  
Bac Perforé



Admite Ruedas  
Supports Wheels  
Unterstützt Räder  
Supporta Wheels  
Admet des Roues



Invernadero  
Greenhouse  
Gewächshaus  
Glasshouse  
Serre

On-line instructions: [www.instructionsrack.com/simonclick](http://www.instructionsrack.com/simonclick)

**SIMONCLASSIC**

**BOLTS SYSTEM**  
Up to: **100 Kg.**  
Kg./Shelf  
Uniformly Distributed Load



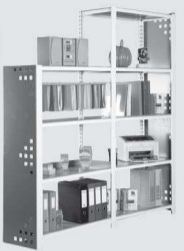
**SIMONCLICK**

**NO BOLTS SYSTEM**  
Up to: **180 Kg.**  
Kg./Shelf  
Uniformly Distributed Load



**SIMONOFFICE**

**NO BOLTS SYSTEM**  
Up to: **275 Kg.**  
Kg./Shelf  
Uniformly Distributed Load



**SIMONTALLER**

**NO BOLTS SYSTEM**  
Up to: **600 Kg.**  
Kg./Shelf  
Uniformly Distributed Load



**BANCOS DE TRABAJO**

Up to: **800 Kg.**  
Kg./Shelf  
Uniformly Distributed Load



**SIMONHOME**

Up to: **150 Kg.**  
Kg./Shelf  
Uniformly Distributed Load



**TAQUILLAS**



**SIMONTITÁN**

**NO BOLTS SYSTEM**  
Up to: **900 Kg.**  
Kg./Shelf  
Uniformly Distributed Load



**SIMONINOX**

**NO BOLTS SYSTEM**

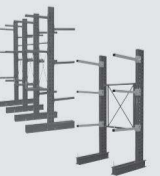


**SIMONPALET**

Up to: **4500 Kg.**  
Kg./Shelf  
Uniformly Distributed Load



**SIMONLEVER**



**ALTILLOS Y PASILLOS ELEVADOS**



www.simonrack.com • www.instructionsrack.com • www.simonrack.com • www.simonrack.com • www.simonrack.com