

160x86x50 cm

63.0" x 33.9" x 19.7"

SIMONINOX 5PP

5 Años Garantía
Years Guarantee
Jahre Garantie
Ans Garantie
Anos de Garantía
SIMONRACK



160 cm (63.0")

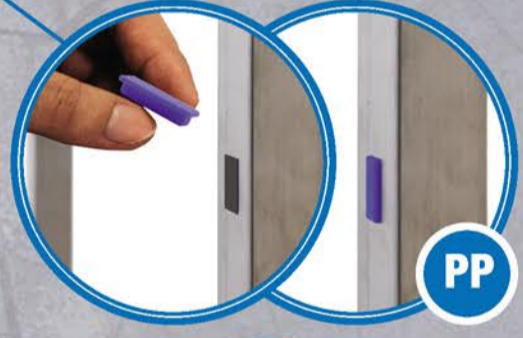
50 cm (19.7")

86 cm (33.9")



1400 kg
(3100 lb)
Total

- 2 x 160 cm (63.0")
- 5 x 80x50 cm (31.4"x19.7")
- 10 x 80 cm (31.4")
- 20 x
- 60 x



ESTANTERIAS SIMON S.L. B.50.556.463
PG. ALFAMEN C/ POLIGONO C, N°3
ALFAMEN (ZARAGOZA)

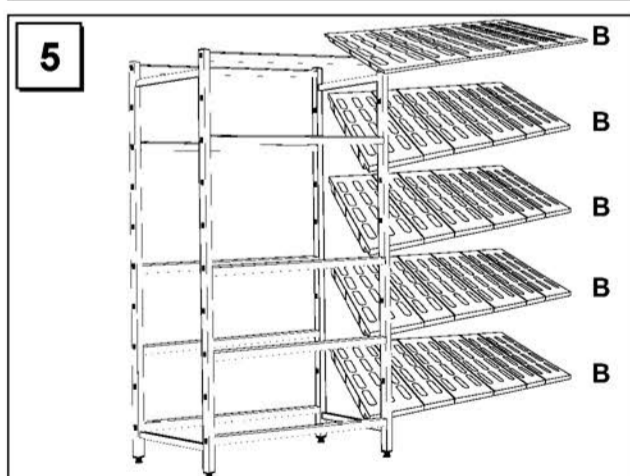
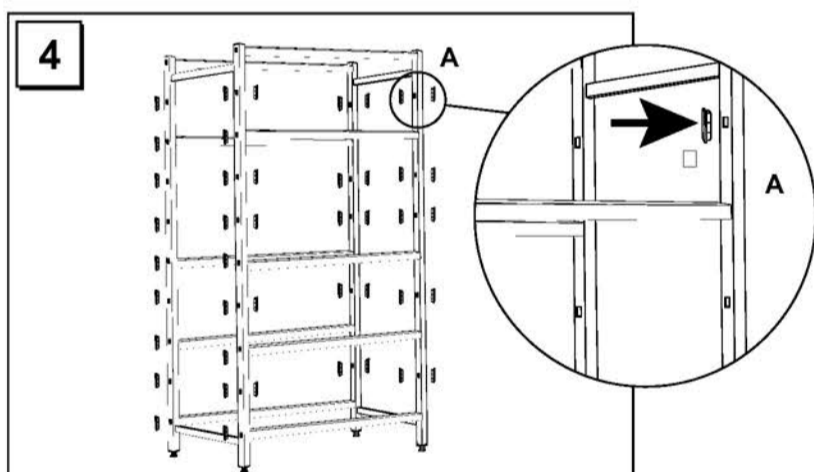
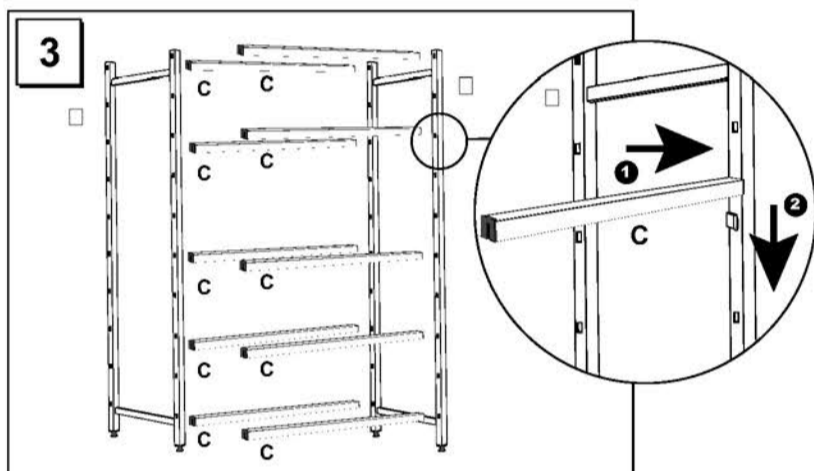
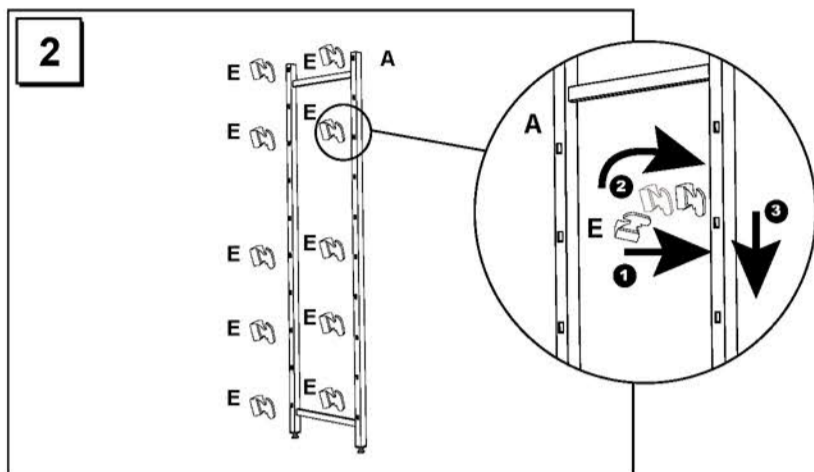
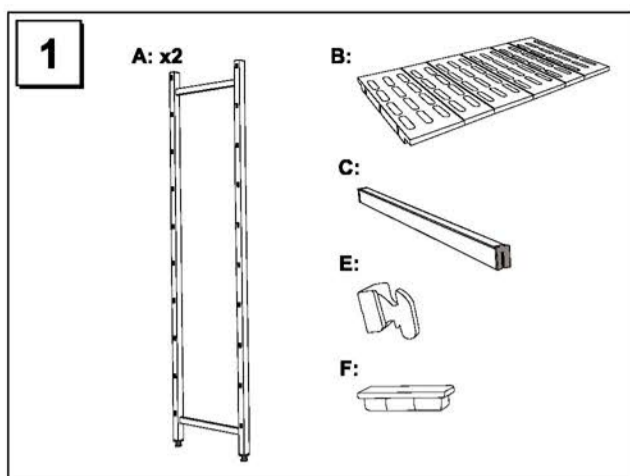


www.simonrack.com



INSTRUCCIONES
INSTRUCTIONS
ANLEITUNG
INSTRUCTIONS

STANDARD INSTRUCTIONS PP



SIMONCLASSIC	
SIMONCLICK	
SIMONTALLER	
SIMONAUTO	
SIMONWORK	
SIMONLOCKER	
SIMONOFFICE	
SIMONHOME	
SIMONGARDEN	
SIMONTITÁN	SIMONINOX
SIMONINDUSTRIAL	
SIMONPALET	SIMONLEVER
ALTILLOS Y PASILLOS ELEVADOS PLATFORMS AND MEZZANINES LAGERBÜHNEN • PLATES-FORMES ET MEZZANINES	

www.simonrack.com • www.instructionsrack.com

