

HOMECCLICK WOOD

180 x 100 x 30 cm* (70.9"x39.4"x11.8")

KIT PLUS 5/300



5 Años Garantía
Years Guarantee
Jahre Garantie
Ans Garantie
Anos de Garantia
SIMONRACK

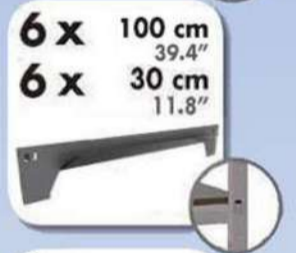
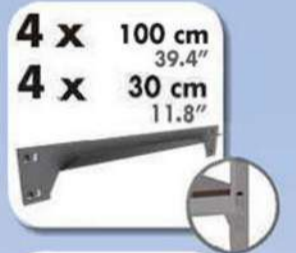
180 cm (70.9")

30 cm (11.8")

100 cm (39.4")



500 kg
(1100 lb)
Total



*MEDIDAS EN USO USED MEASUREMENTS
MASSNAHMEN IM EINSATZ MESURES EN EMPLOI MEDIDAS EM USO:
1804 x 1010 x 310 mm (71" x 39.7" x 12.2")



ESTANTERIAS SIMON S.L. B.50.556.463
PG. ALFAMEN C/ POLIGONO C, N°3
ALFAMEN (ZARAGOZA)

www.simonrack.com



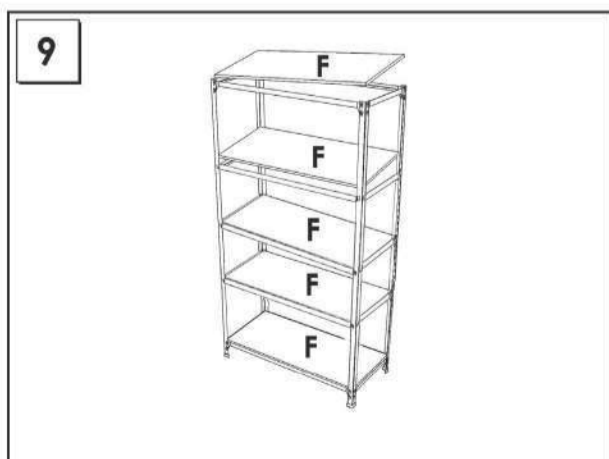
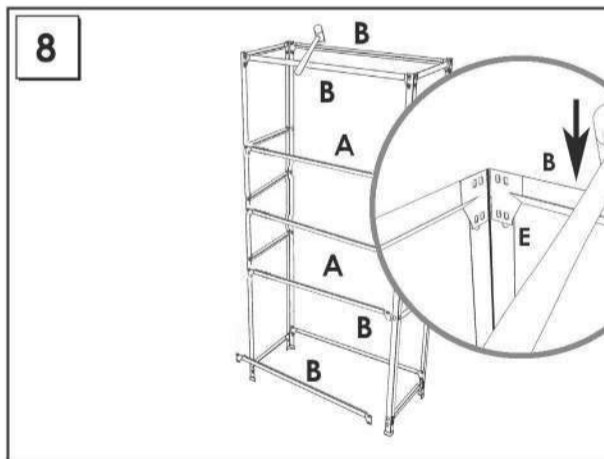
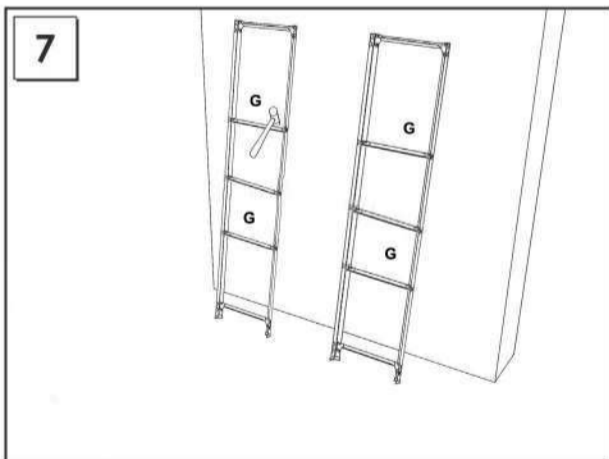
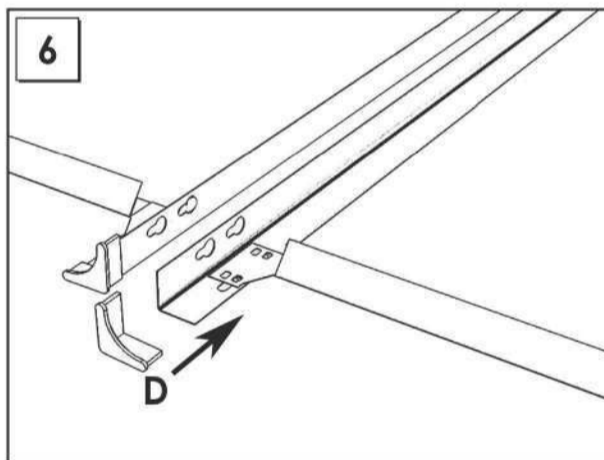
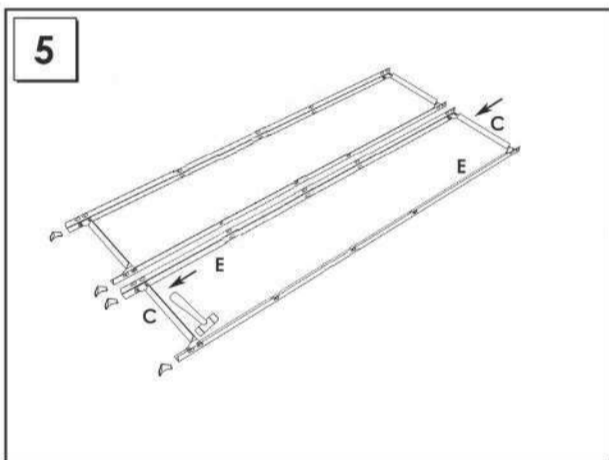
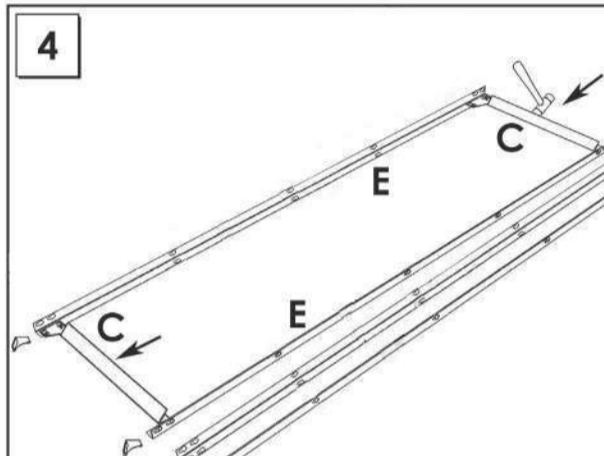
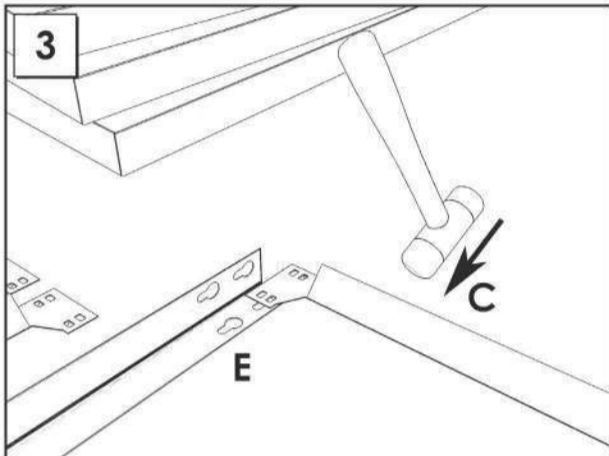
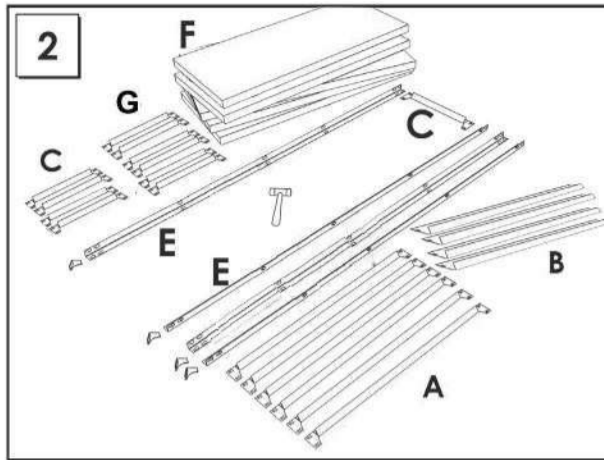
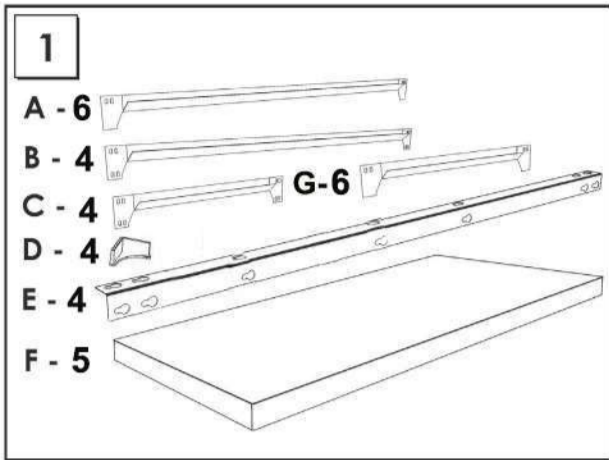
www.simonrack.com

Simon
Rack
SINCE 1964 - MANUFACTURER



EMPRESA CERTIFICADA
EN SISTEMA DE GESTION DE CALIDAD
ISO
9001:2015

INSTRUCCIONES
INSTRUCTIONS
ANLEITUNGS
INSTRUCTIONS



SIMONCLASSIC



SIMONCLICK



SIMONTALLER



SIMONAUTO



SIMONWORK



SIMONLOCKER



SIMONOFFICE



SIMONHOME



SIMONGARDEN



SIMONTITÁN



SIMONINOX



SIMONINDUSTRIAL

SIMONPALET



SIMONLEVER



ALTILOS Y PASILLOS ELEVADOS
PLATFORMS AND MEZZANINES
LAGERBÜHNEN • PLATES-FORMES ET MEZZANINES

