

150 x 80 x 30 cm

59.1" x 31.5" x 11.8"

ADVANTAGE MINI 4/300

5 Años Garantía
Years Guarantee
Jahre Garantie
Ans Garantie
Anos de Garantia
SIMONRACK

75 kg
(165 lb)



75 kg
(165 lb)



75 kg
(165 lb)

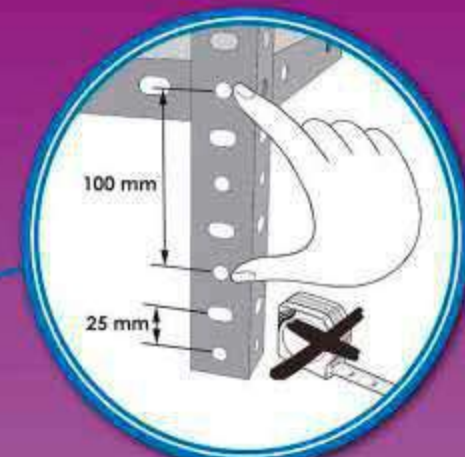


75 kg
(165 lb)

150 cm (59.1")

30 cm (11.8")

80 cm (31.5")



*MEDIDAS EN USO / VIDEO MEASUREMENTS
MESSUNGEN IM EINGESATZ / MESURES EN EMPLOI / MEDIDAS EM USO:
1500 x 810 x 310 mm (59.1" x 31.8" x 12.2")



ESTANTERIAS SIMON S.L. B.50.556.463
PG. ALFAMEN C/ POLIGONO C, N°3
ALFAMEN (ZARAGOZA)



**Simon
Rack**
SINCE 1964 - MANUFACTURER



www.simonrack.com



INSTRUCCIONES
INSTRUCTIONS
ANLEITUNG
INSTRUCTIONS

