

200 x 100 x 40 cm

78.7" x 39.4" x 15.8"

SIMONCLICK PLUS 5/400 + FUNDA

5 Años Garantía
Years Guarantee
Jahre Garantie
Ans Garantie
Anos de Garantia
SIMONRACK

180 kg
(400 lb)

900 kg
(1984 lb)
Total



*MEDIDAS EN USO USED MEASUREMENTS
MASSNAHMEN IM EINSATZ MESURES EN EMPLOI MEDIDAS EM USO:
1985 x 1010 x 410 mm (78.1" x 39.7" x 16.1")



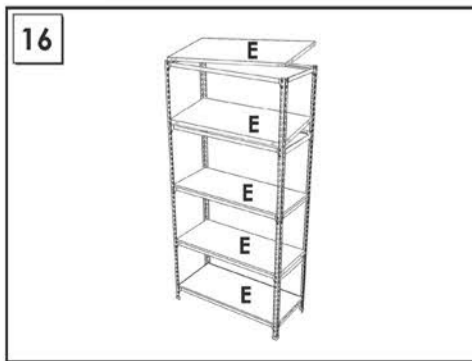
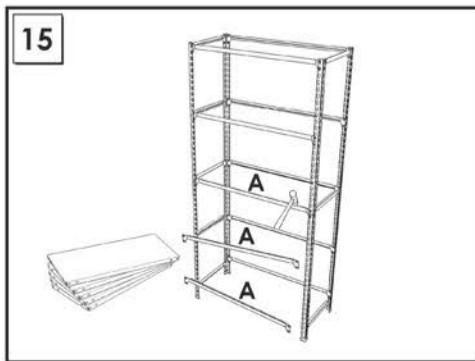
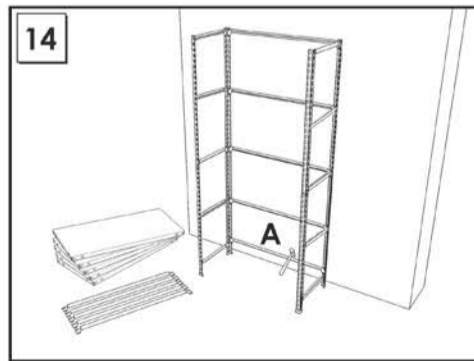
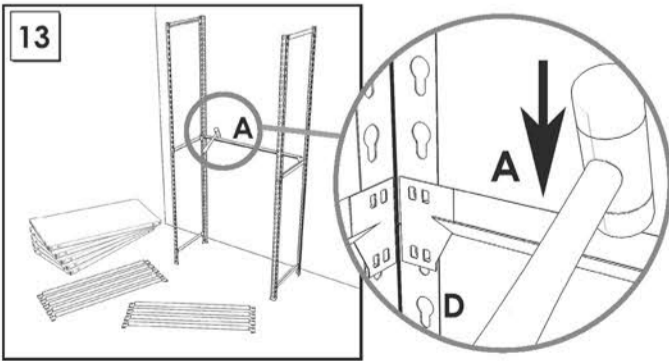
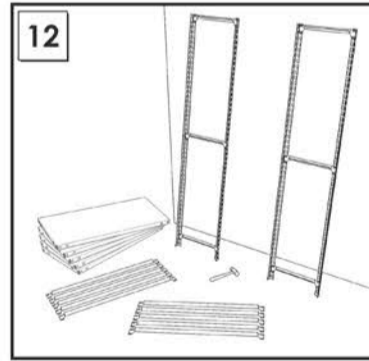
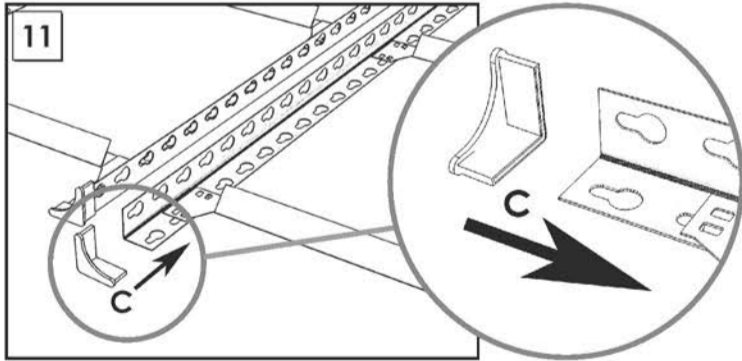
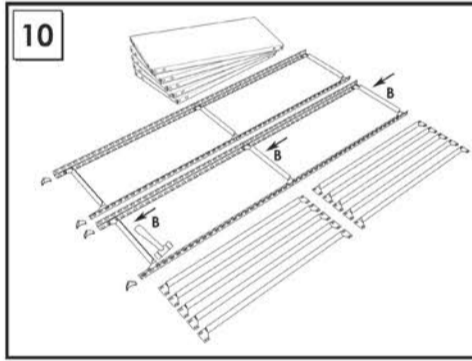
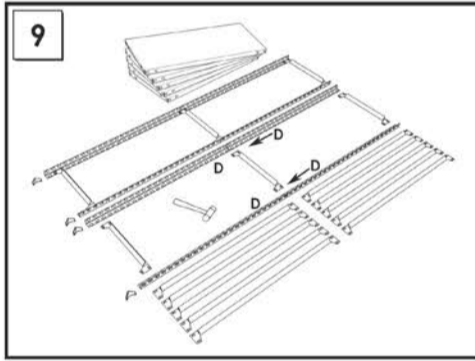
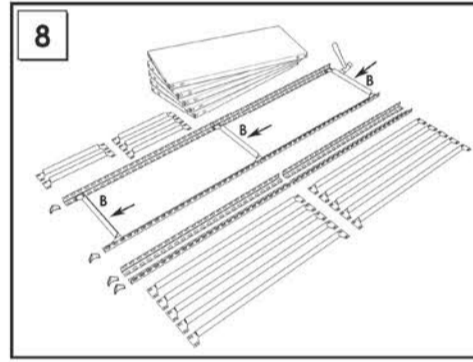
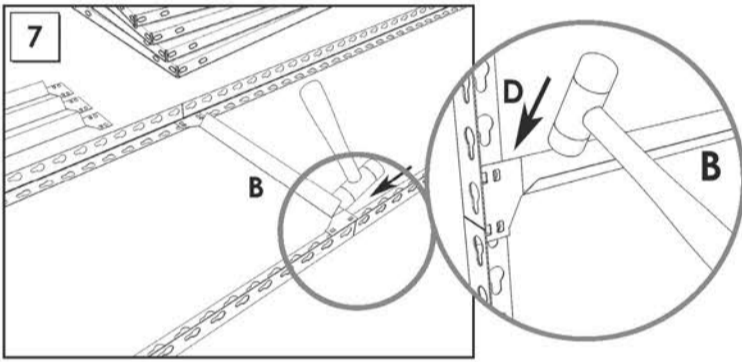
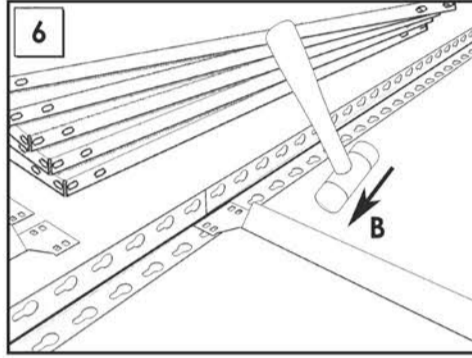
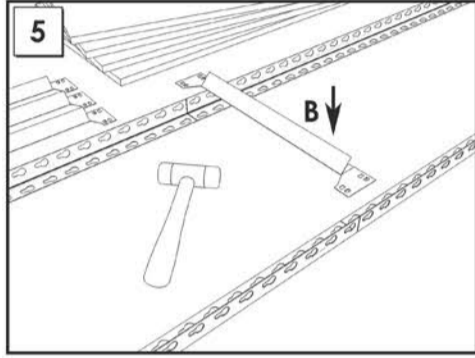
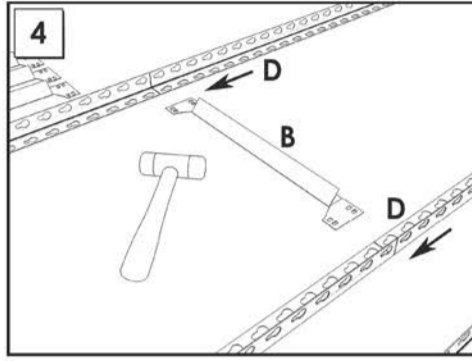
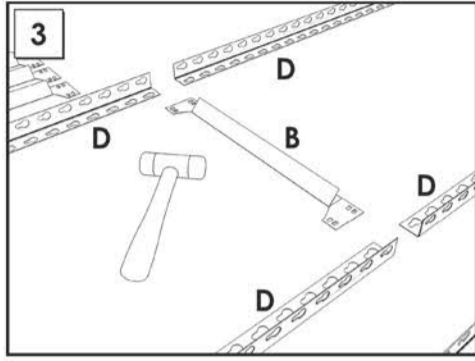
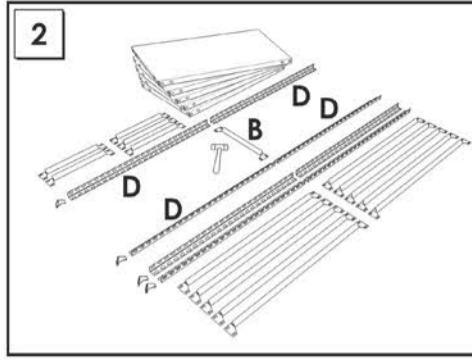
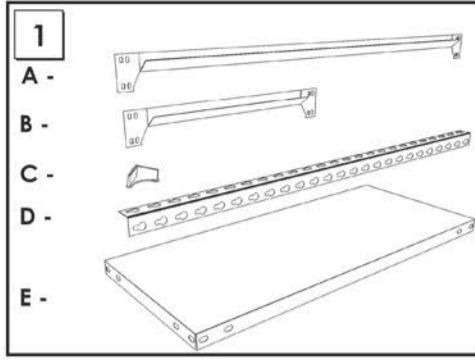
ESTANTERIAS SIMON S.L. B.50.556.463
PG. ALFAMEN C/ POLIGONO C, N°3
ALFAMEN (ZARAGOZA)



www.simonrack.com



INSTRUCTIONS



SIMONCLASSIC

BOLTS SYSTEM

Up to: **150 Kg**
(331 lb)
Uniformly Distributed Load



SIMONCLICK

NO BOLTS SYSTEM

Up to: **400 Kg**
(882 lb)
Uniformly Distributed Load



SIMONOFFICE

NO BOLTS SYSTEM

Up to: **275 Kg**
(606 lb)
Uniformly Distributed Load



SIMONTALLER

NO BOLTS SYSTEM

Up to: **700 Kg**
(1543 lb)
Uniformly Distributed Load



BANCOS DE TRABAJO WORK BENCHES

Up to: **800 Kg**
(1764 lb)
Uniformly Distributed Load



SIMONHOME

Up to: **150 Kg**
(331 lb)
Uniformly Distributed Load



TAQUILLAS LOCKER



SIMONTITÁN

NO BOLTS SYSTEM

Up to: **900 Kg**
(1984 lb)
Uniformly Distributed Load



SIMONINOX

NO BOLTS SYSTEM



SIMONPALET

Up to: **4500 Kg**
(9921 lb)
Uniformly Distributed Load



SIMONLEVER



ALTILLOS Y PASILLOS ELEVADOS PLATFORMS AND MEZZANINES

