

150 x 110 x 50 cm

59.1" x 43.3" x 19.7"

SIMONCLICK SUPERPLUS 4/500

5 Años Garantía
Years Guarantee
Jahre Garantie
Ans Garantie
Anos de Garantía
SIMONRACK



200 kg
(440 lb)

200 kg
(440 lb)

200 kg
(440 lb)

200 kg
(440 lb)

800 kg
(1760 lb)
Total



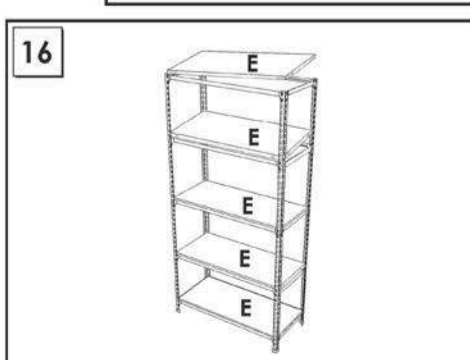
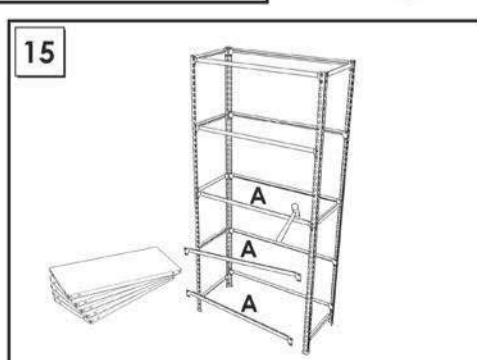
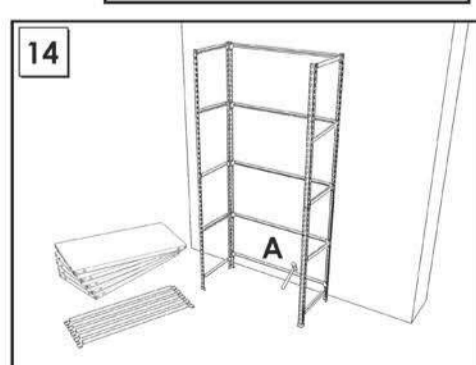
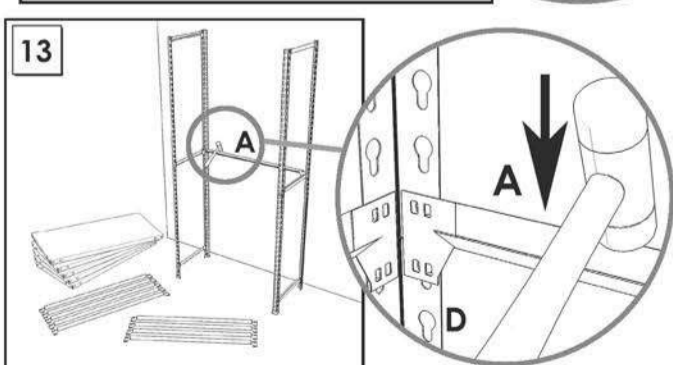
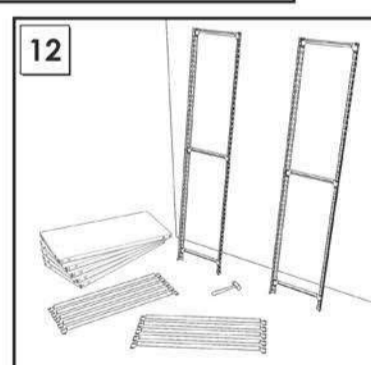
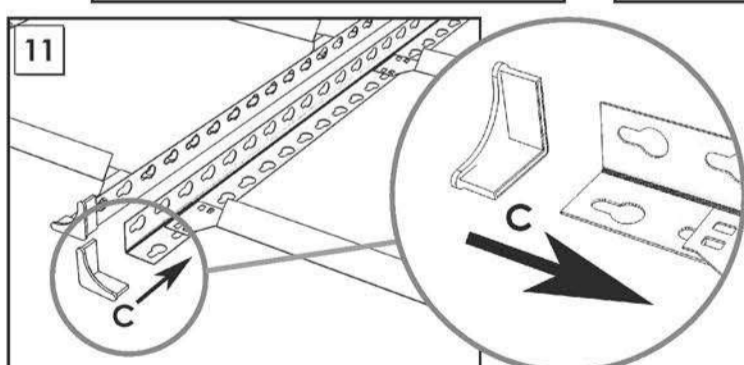
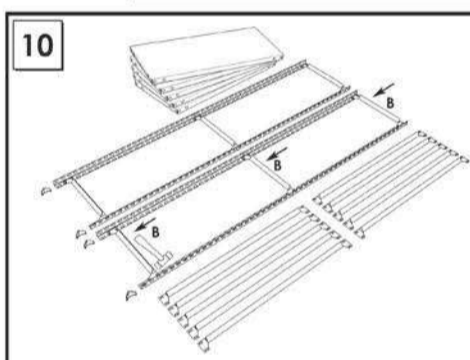
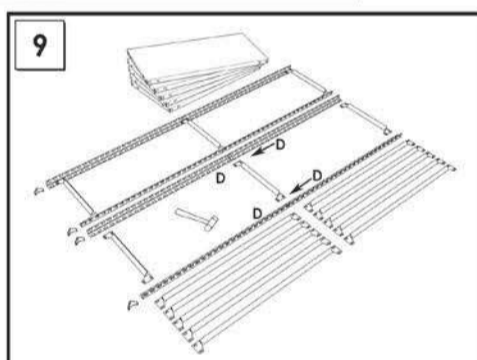
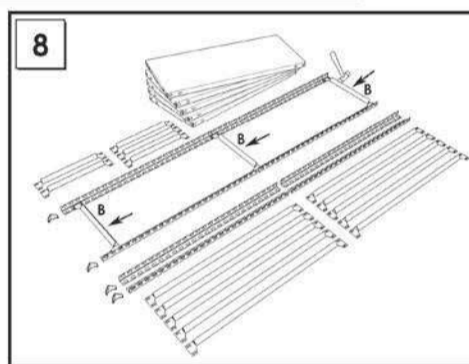
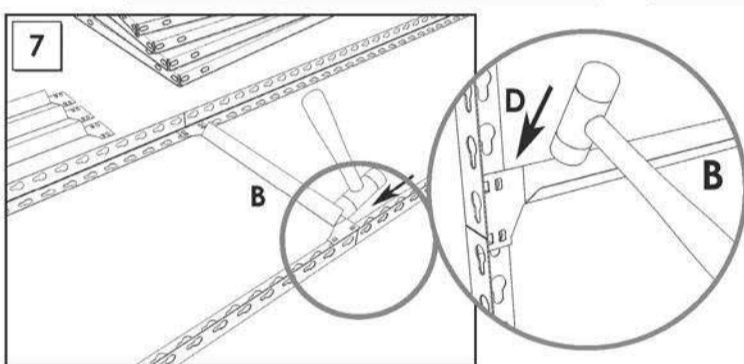
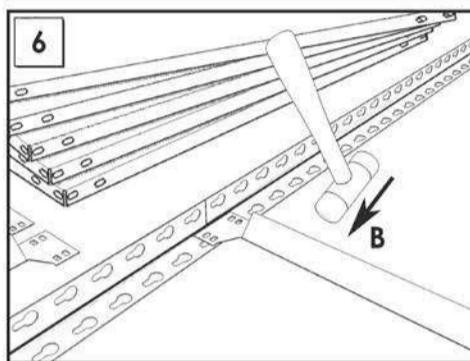
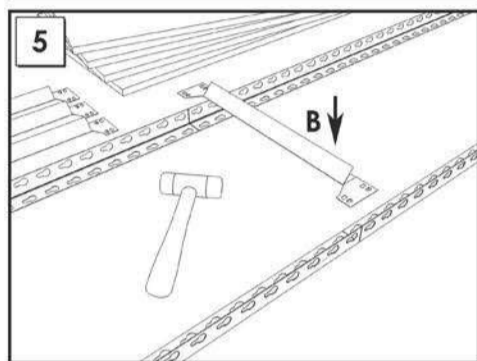
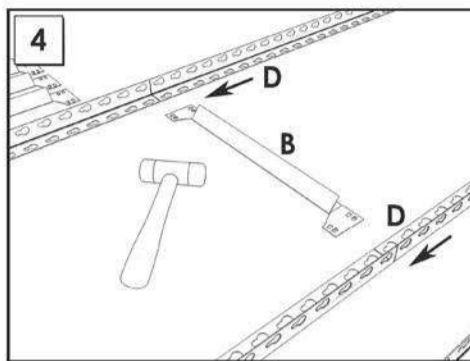
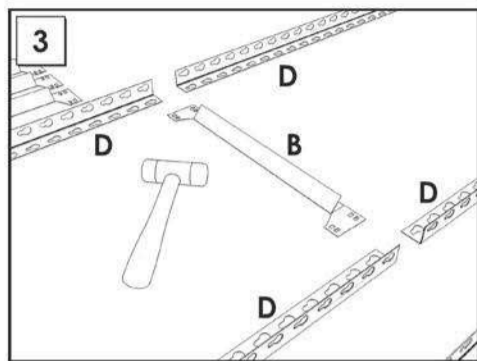
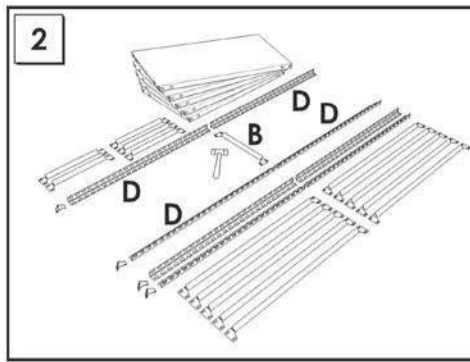
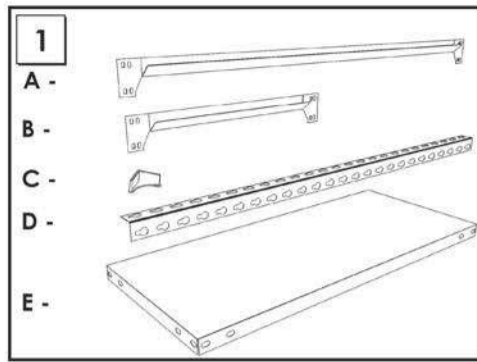
ESTANTERIAS SIMON S.L. B.50.556.463
PG. ALFAMEN C/ POLIGONO C, N°3
ALFAMEN (ZARAGOZA)



www.simonrack.com



INSTRUCTIONS



On-line instructions: www.instructionsrack.com/simonclick

SIMONCLASSIC



SIMONCLICK



SIMONOFFICE



SIMONTALLER



BANCOS DE TRABAJO WORK BENCHES



SIMONHOME



TAQUILLAS LOCKER



SIMONTITÁN



SIMONINOX



SIMONPALET



SIMONLEVER



ALTILLOS Y PASILLOS ELEVADOS PLATFORMS AND MEZZANINES

