

# 180 X 80 X 40 CM

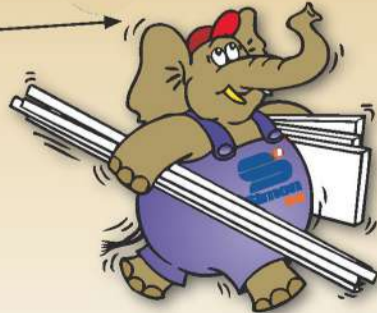
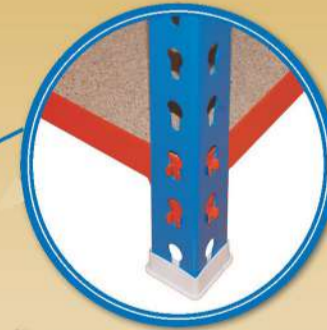
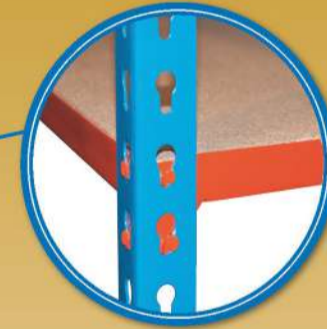
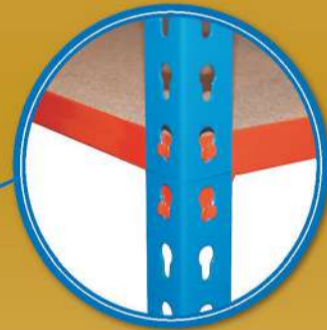
## 70.9" X 31.5" X 15.8"

### MADERCLICK MINI 5/400

**5** Años Garantía  
Years Guarantee  
Jahre Garantie  
Ans Garantie  
Anos de Garantía  
**SIMONRACK**



**750 kg**  
(1654 lb)  
**Total**



\*MEDIDAS EN USO USED MEASUREMENTS  
MASSNAHMEN IM EINSATZ MESURES EN EMPLOI MEDIDAS EM USO:  
1785 x 810 x 410 mm (70.3" x 31.8" x 16.1")



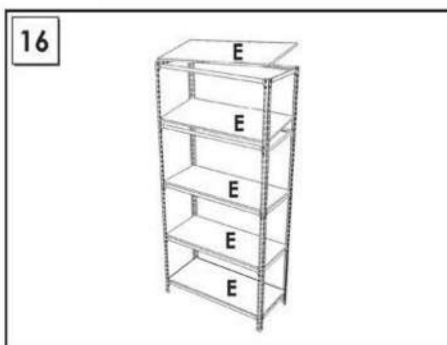
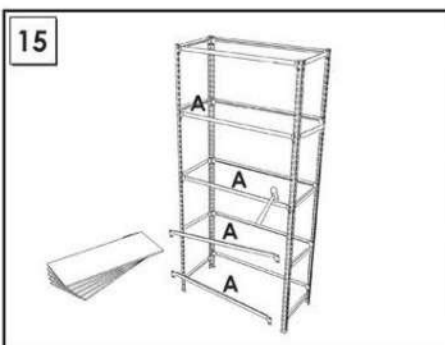
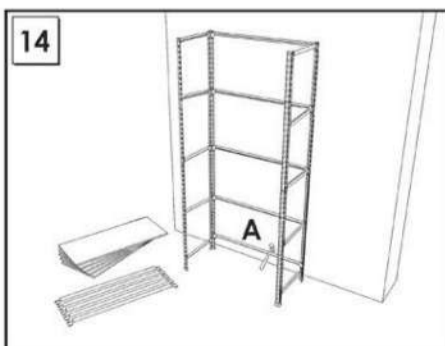
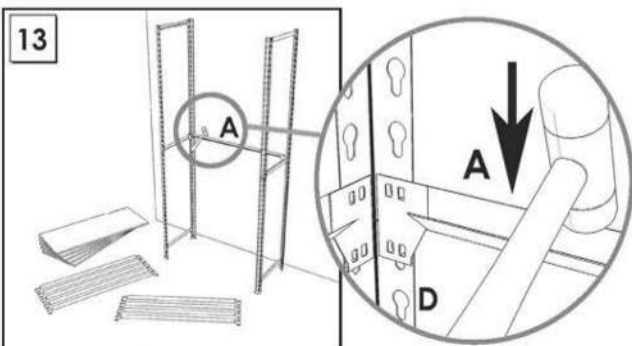
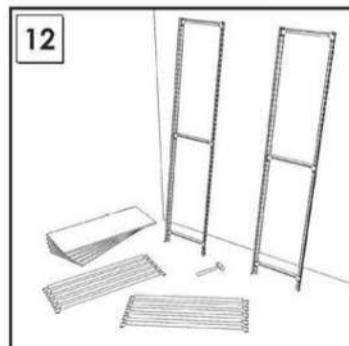
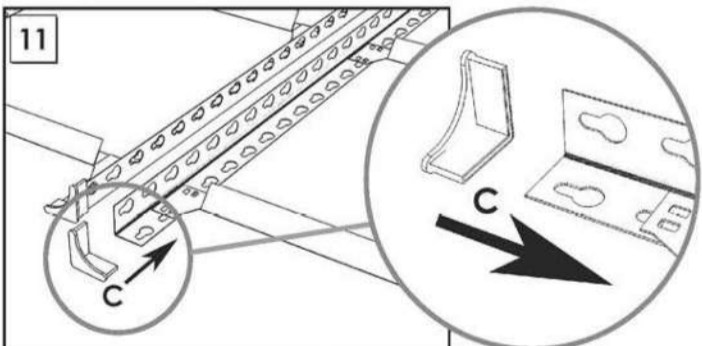
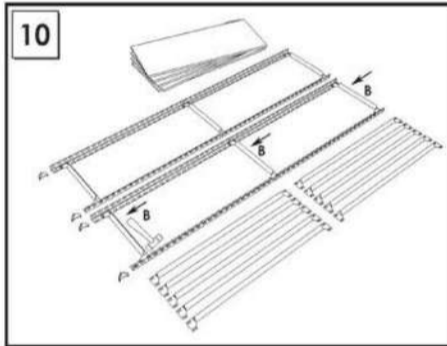
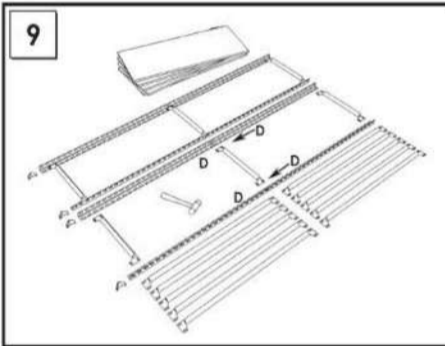
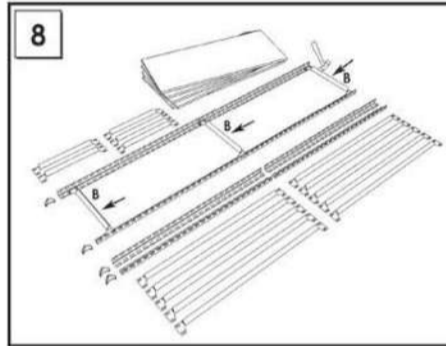
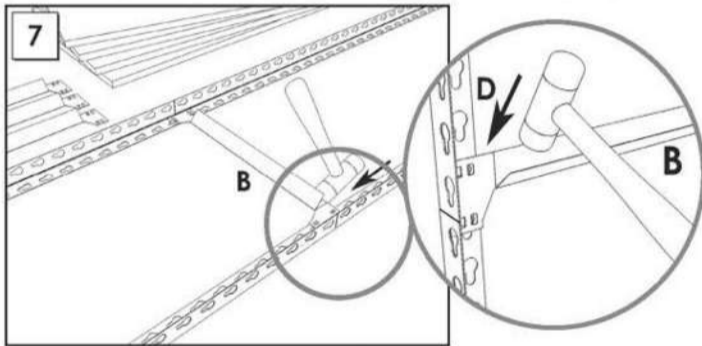
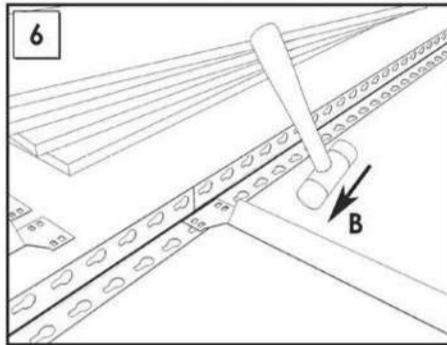
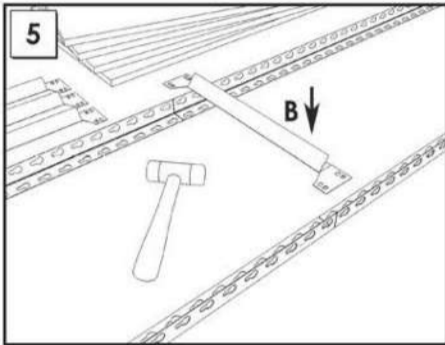
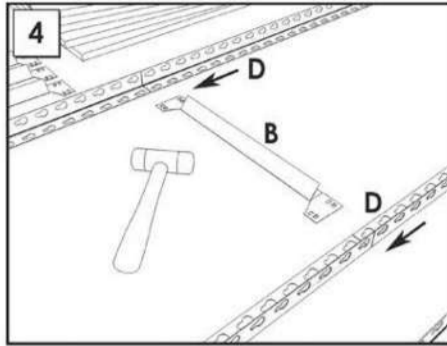
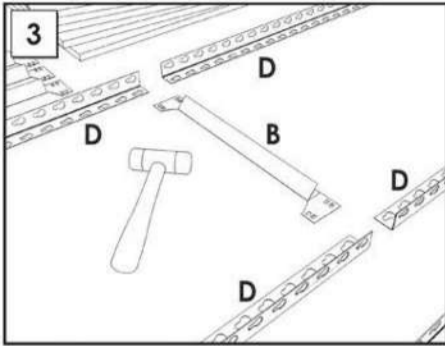
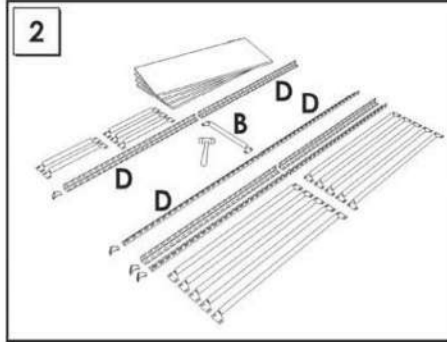
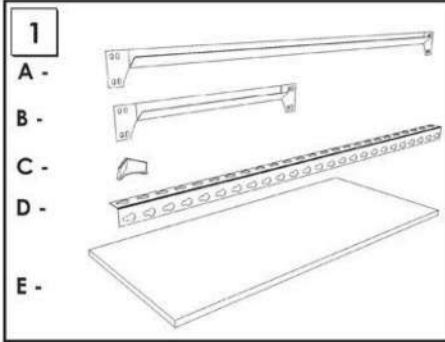
ESTANTERIAS SIMON S.L. B.50.556.463  
PG. ALFAMEN C/ POLIGONO C, N°3  
ALFAMEN (ZARAGOZA)



[www.simonrack.com](http://www.simonrack.com)



INSTRUCTIONS



On-line instructions: [www.instructionsrack.com/maderclick](http://www.instructionsrack.com/maderclick)

www.simonrack.com • www.simonrack.com • www.simonrack.com • www.simonrack.com • www.simonrack.com • www.simonrack.com • www.simonrack.com • www.simonrack.com • www.simonrack.com • www.simonrack.com • www.simonrack.com • www.simonrack.com

**SIMONCLASSIC**

BOLTS SYSTEM

Up to **150 Kg (331 lb)**  
Kg/Shelf  
Uniformly Distributed Load



**SIMONCLICK**

NO BOLTS SYSTEM

Up to **400 Kg (882 lb)**  
Kg/Shelf  
Uniformly Distributed Load



**SIMONOFFICE**

NO BOLTS SYSTEM

Up to **275 Kg (606 lb)**  
Kg/Shelf  
Uniformly Distributed Load



**SIMONTALLER**

NO BOLTS SYSTEM

Up to **700 Kg (1543 lb)**  
Kg/Shelf  
Uniformly Distributed Load



**BANCOS DE TRABAJO WORK BENCHES**

Up to **800 Kg (1764 lb)**  
Kg/Shelf  
Uniformly Distributed Load



**SIMONHOME**

Up to **150 Kg (331 lb)**  
Kg/Shelf  
Uniformly Distributed Load



**TAGUILLAS LOCKER**



**SIMONTITÁN**

NO BOLTS SYSTEM

Up to **900 Kg (1984 lb)**  
Kg/Shelf  
Uniformly Distributed Load



**SIMONINOX**

NO BOLTS SYSTEM



**SIMONPALET**

Up to **4500 Kg (9921 lb)**  
Kg/Shelf  
Uniformly Distributed Load



**SIMONLEVER**



**ALTILLOS Y PASILLOS ELEVADOS PLATFORMS AND MEZZANINES**

