

# 250 X 100 X 40 CM

## 98.4" X 39.3" X 15.7"

### MADERCLICK PLUS 6/400

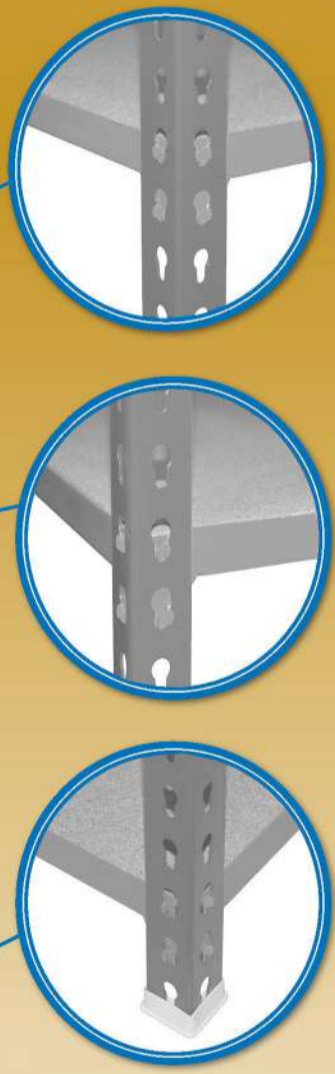
**5** Años Garantía  
Years Guarantee  
Jahre Garantie  
Ans Garantie  
Anos de Garantia  
**SIMONRACK**



**900 kg**  
(1984 lb)  
**Total**

8 x 125 cm (49.2")  
6 x 100 x 40 cm (39.3" x 15.7")  
6 x 40 cm (15.7")  
12 x 100 cm (39.3")  
4 x

VIDEO INSTRUCTIONS



\*MEDIDAS EN USO / USED MEASUREMENTS  
MASSAHEIMEN IN EINGESATZ / MESURES EN EMPLOI / MEDIDAS EN USO:  
2485 x 1010 x 410 mm ( 97.8" x 39.7" x 16.1")



ESTANTERIAS SIMON S.L. B.50.656.463  
PG. ALFAMEN C/ POLIGONO C, Nº3  
ALFAMEN (ZARAGOZA)



**Simon Rack**  
SINCE 1964 - MANUFACTURER

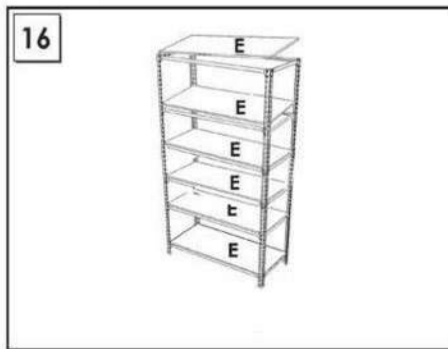
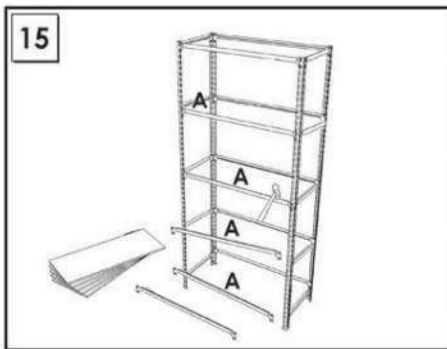
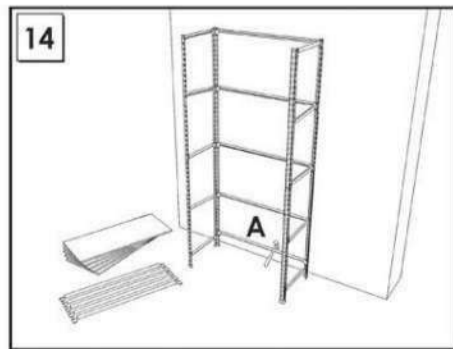
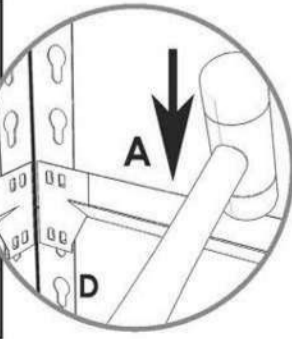
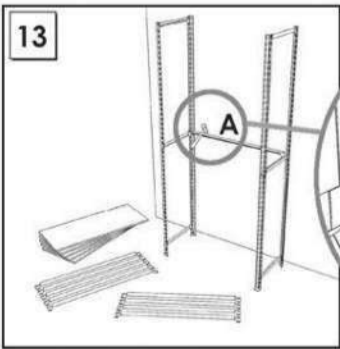
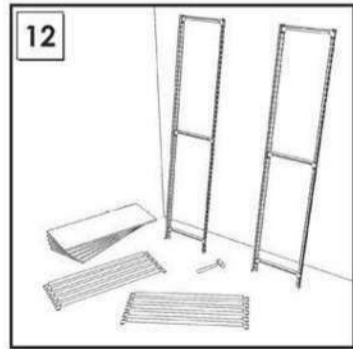
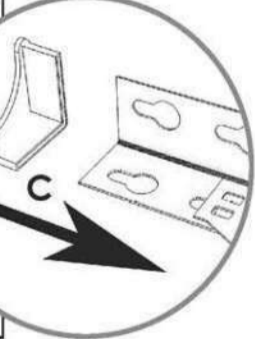
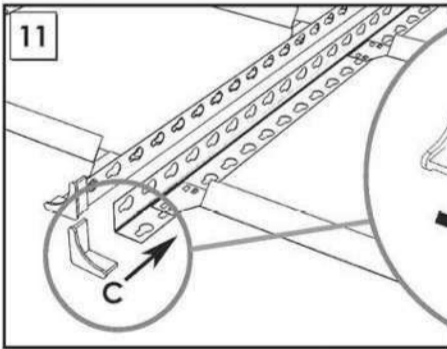
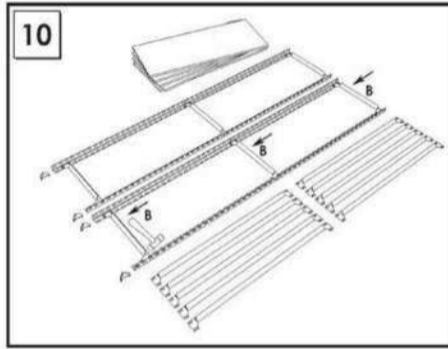
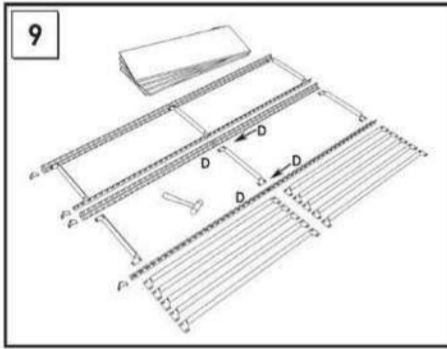
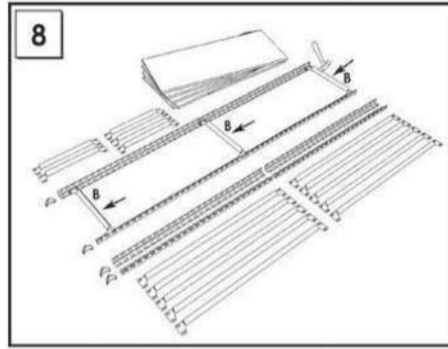
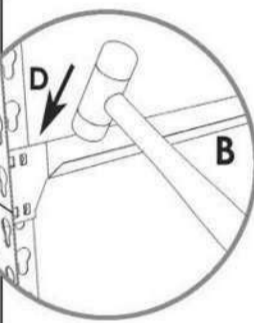
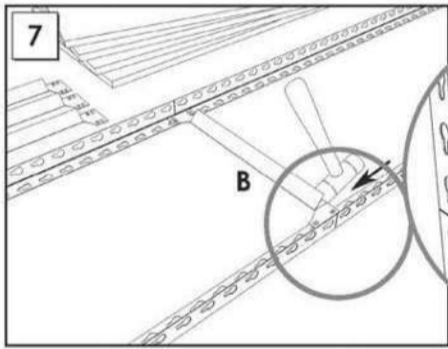
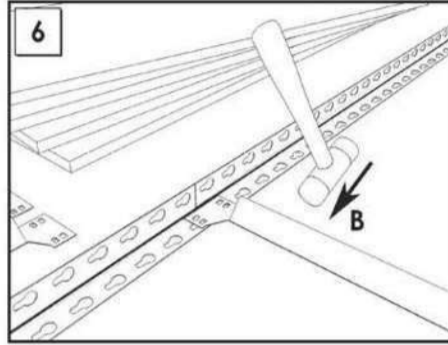
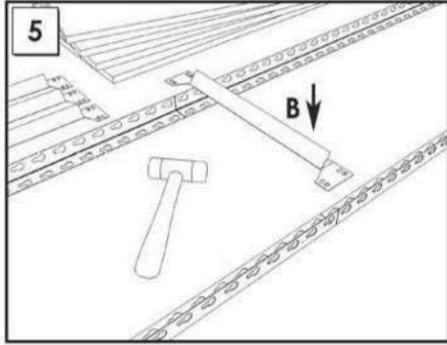
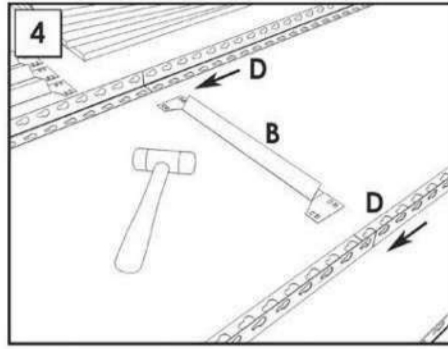
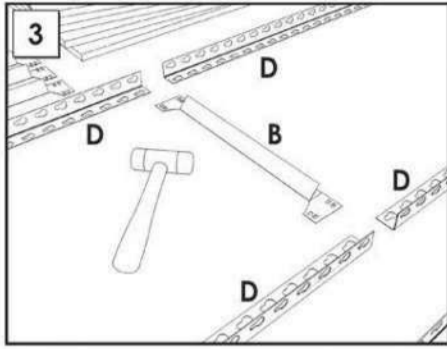
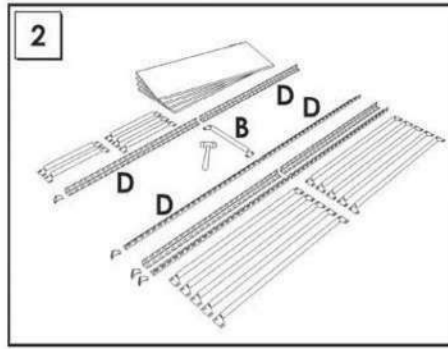
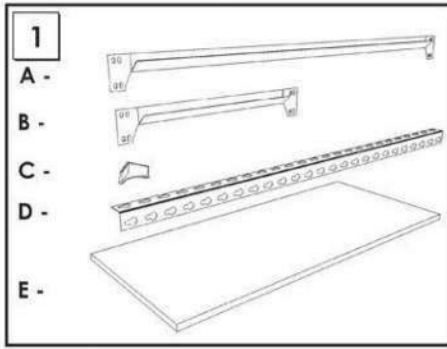
www.simonrack.com \*



www.simonrack.com

EMPRESA CERTIFICADA  
EN SISTEMA DE GESTION DE CALIDAD  
**ISO 9001:2015**

INSTRUCTIONS



**SIMONCLASSIC**

BOLTS SYSTEM



Up to:  
150 Kg  
(331 lb)  
Kg/Shelf  
(uniformly distributed load)



**SIMONCLICK**

NO BOLTS SYSTEM



Up to:  
400 Kg  
(882 lb)  
Kg/Shelf  
(uniformly distributed load)



**SIMONOFFICE**

NO BOLTS SYSTEM



Up to:  
275 Kg  
(606 lb)  
Kg/Shelf  
(uniformly distributed load)



**SIMONTALLER**

NO BOLTS SYSTEM



Up to:  
700 Kg  
(1543 lb)  
Kg/Shelf  
(uniformly distributed load)



**BANCOS DE TRABAJO  
WORK BENCHES**

Up to:  
800 Kg  
(1764 lb)  
Kg/Shelf  
(uniformly distributed load)



**SIMONHOME**

Up to:  
150 Kg  
(331 lb)  
Kg/Shelf  
(uniformly distributed load)



**TAGUILLAS  
LOCKER**



**SIMONTITÁN**

NO BOLTS SYSTEM



Up to:  
900 Kg  
(1984 lb)  
Kg/Shelf  
(uniformly distributed load)



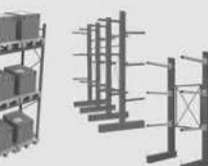
**SIMONINOX**

NO BOLTS SYSTEM



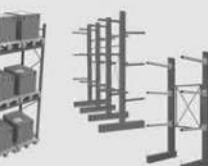
**SIMONPALET**

Up to:  
4500 Kg  
(9921 lb)  
Kg/Shelf  
(uniformly distributed load)



**SIMONLEVER**

Up to:  
4500 Kg  
(9921 lb)  
Kg/Shelf  
(uniformly distributed load)



**ALTILLOS Y PASILLOS ELEVADOS  
PLATFORMS AND MEZZANINES**

