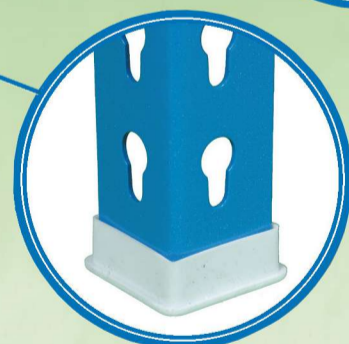


# 90 x 90 x 30 cm

## 35.4" x 35.4" x 11.8"

### SIMONCLICK 3/300

**5** Años Garantía  
Years Guarantee  
Jahre Garantie  
Ans Garantie  
Anos de Garantía  
**SIMONRACK**



\*MEDIDAS EN USO USED MEASUREMENTS  
MASSNAHMEN IM EINSATZ MESURES EN EMPLOI MEDIDAS EM USO:  
880 x 910 x 310 mm (34.6" x 35.8" x 12.2")



ESTANTERIAS SIMON S.L. B.50.556.463  
PG. ALFAMEN C/ POLIGONO C, Nº3  
ALFAMEN (ZARAGOZA)



[www.simonrack.com](http://www.simonrack.com)

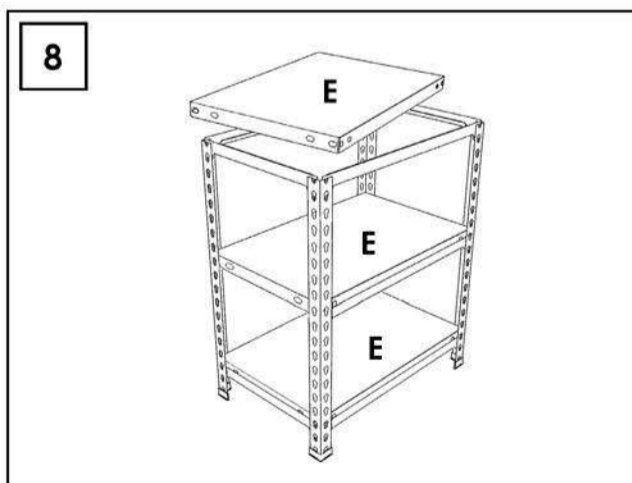
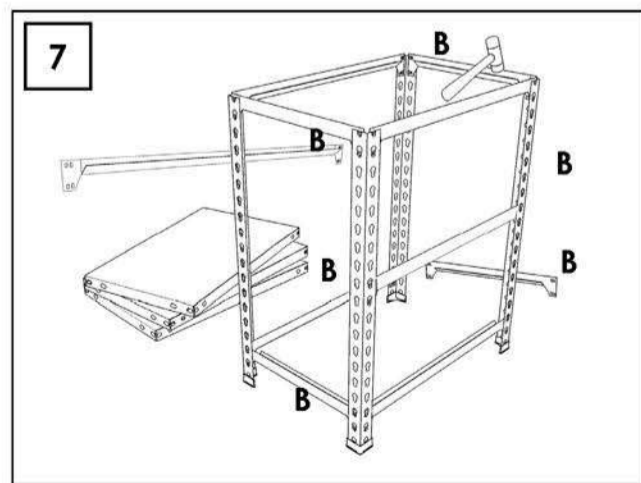
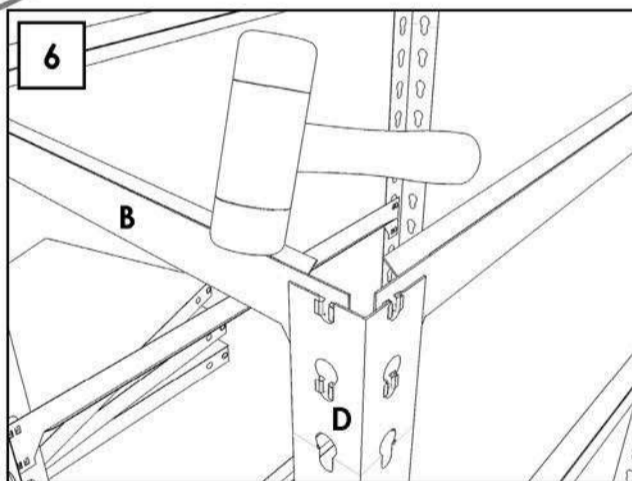
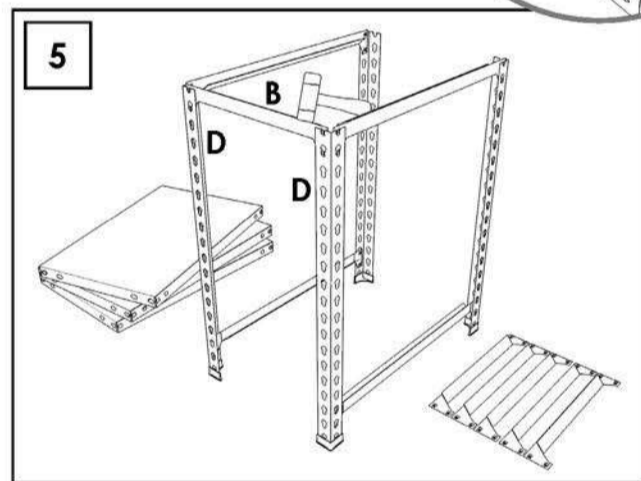
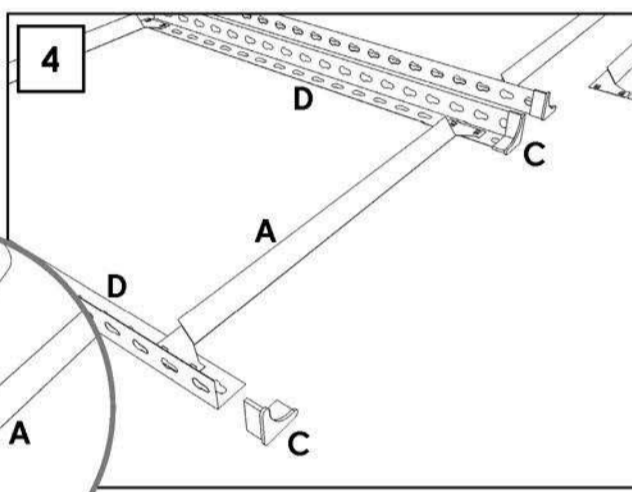
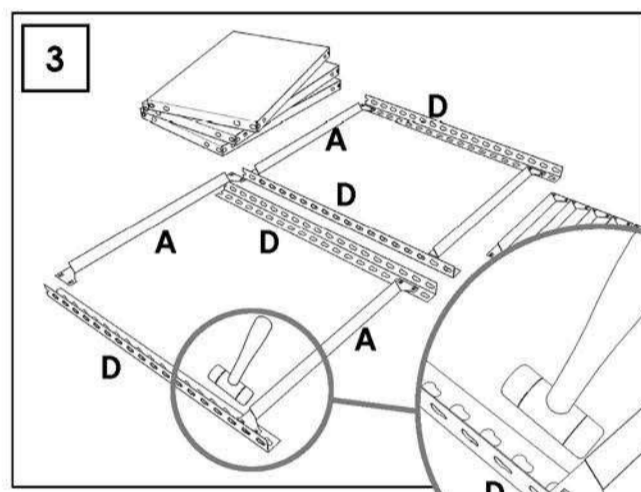
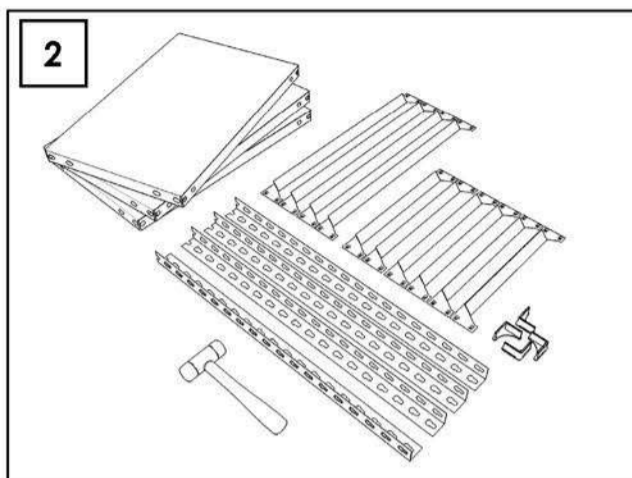
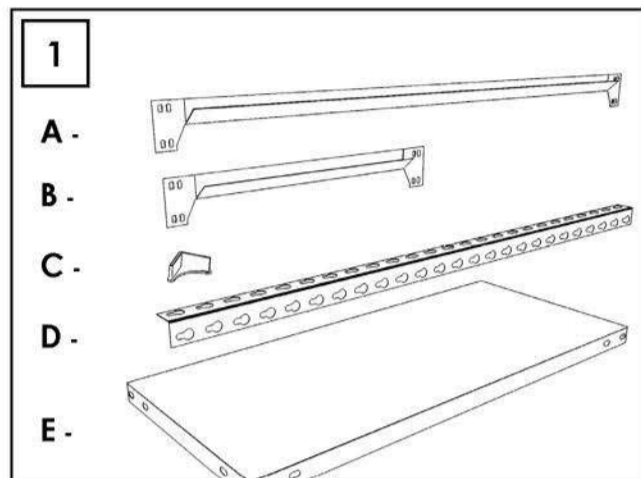
**Simon Rack**  
SINCE 1964 - MANUFACTURER



INSTRUCTIONS



## STANDARD MONTAGE



### SIMONCLASSIC



### SIMONCLICK



### SIMONTALLER



### SIMONAUTO



### SIMONWORK



### SIMONLOCKER



### SIMONOFFICE



### SIMONHOME



### SIMONGARDEN



### SIMONTITÁN



### SIMONINOX



### SIMONINDUSTRIAL

#### SIMONPALET



#### SIMONLEVER



ALTILLOS Y PASILLOS ELEVADOS  
PLATFORMS AND MEZZANINES  
LAGERBÜHNEN • PLATES-FORMES ET MEZZANINES

