

# 90 x 110 x 30 cm

## 35.4" x 43.3" x 11.8"

### SIMONCLICK SUPERPLUS 3/300

**5** Años Garantía  
Years Guarantee  
Jahre Garantie  
Ans Garantie  
Anos de Garantía

**SIMONRACK**



**600 kg**  
(1350 lb)  
**Total**



ESTANTERIAS SIMON S.L. B.50.556.463  
PG. ALFAMEN C/ POLIGONO C, N°3  
ALFAMEN (ZARAGOZA)

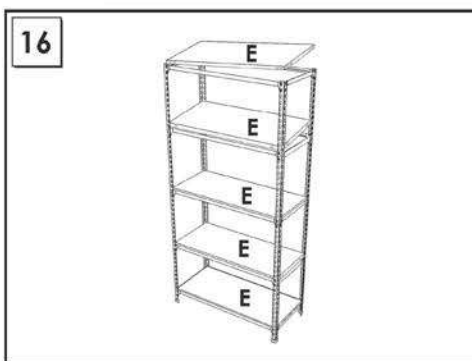
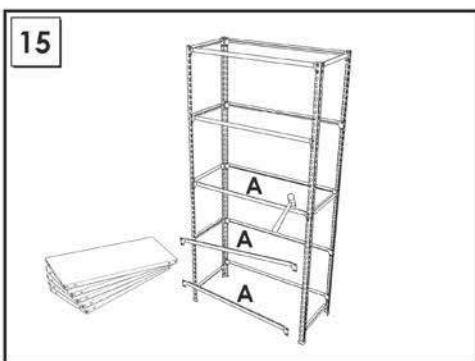
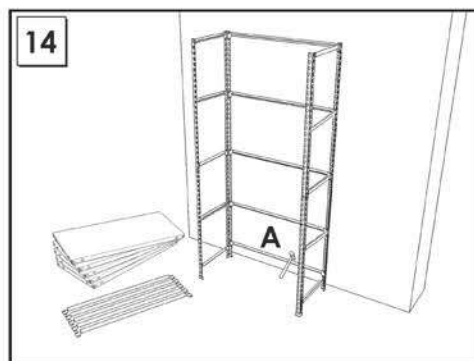
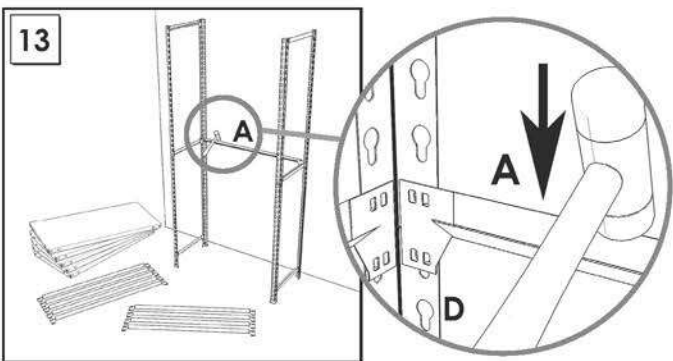
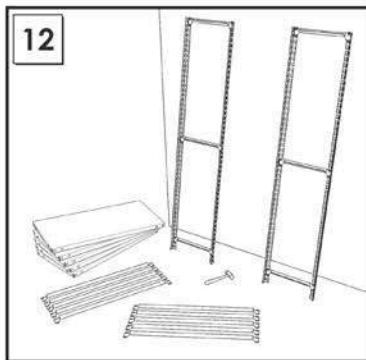
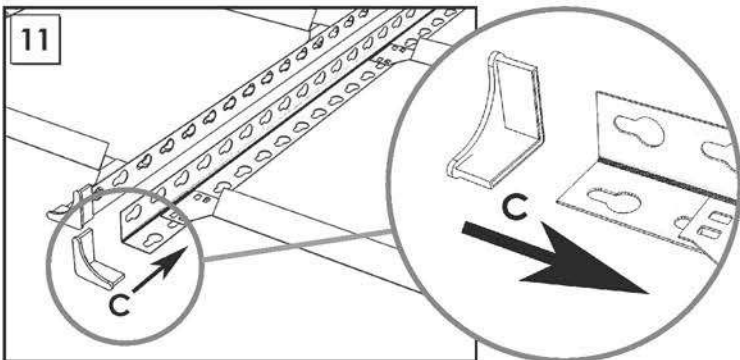
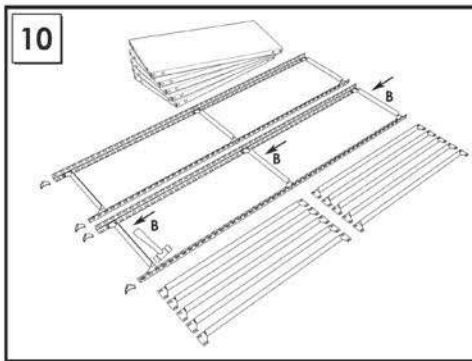
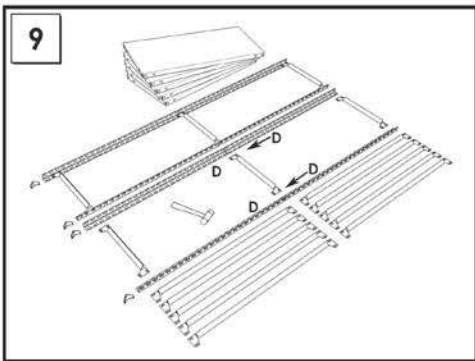
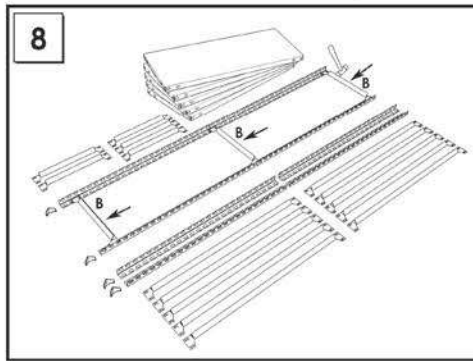
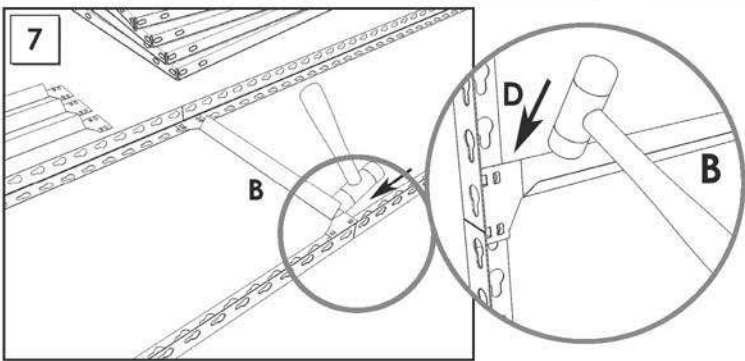
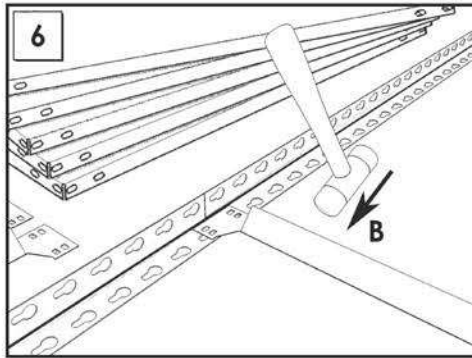
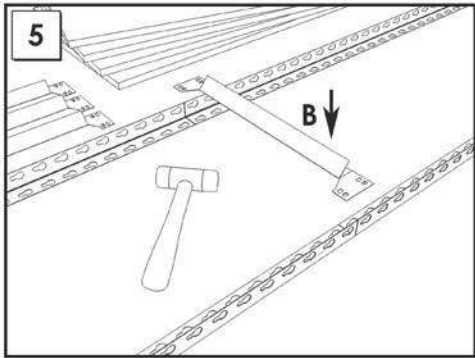
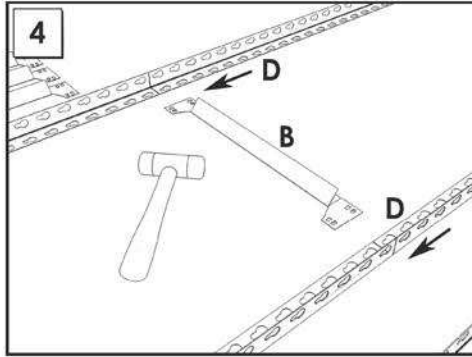
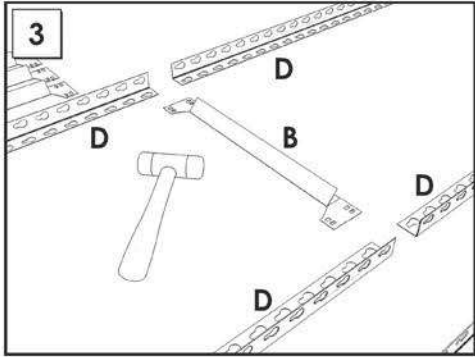
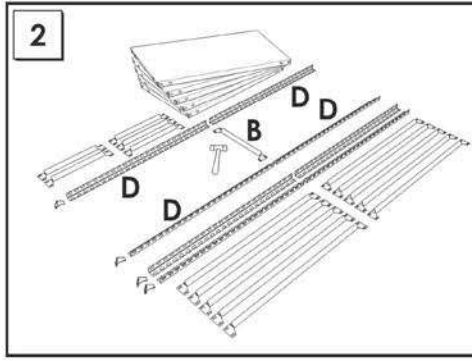
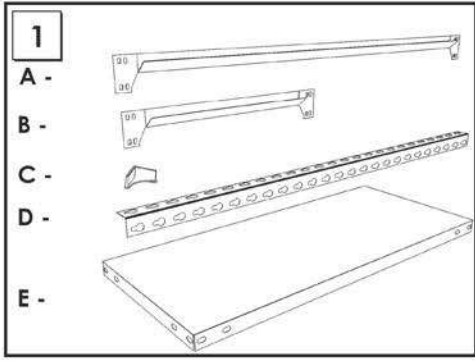


[www.simonrack.com](http://www.simonrack.com)



**INSTRUCTIONS**





On-line instructions: [www.instructionsrack.com/simonclick](http://www.instructionsrack.com/simonclick)

### SIMONCLASSIC



### SIMONCLICK



### SIMONOFFICE



### SIMONTALLER



### BANCOS DE TRABAJO WORK BENCHES



### SIMONHOME



### TAQUILLAS LOCKER



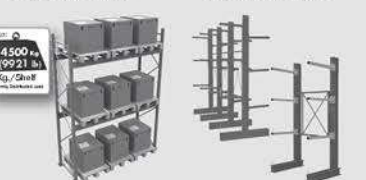
### SIMONTITÁN



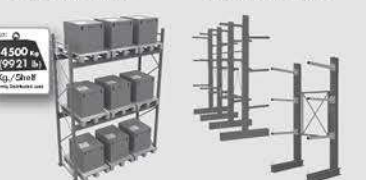
### SIMONINOX



### SIMONPALET



### SIMONLEVER



### ALTILLOS Y PASILLOS ELEVADOS PLATFORMS AND MEZZANINES

