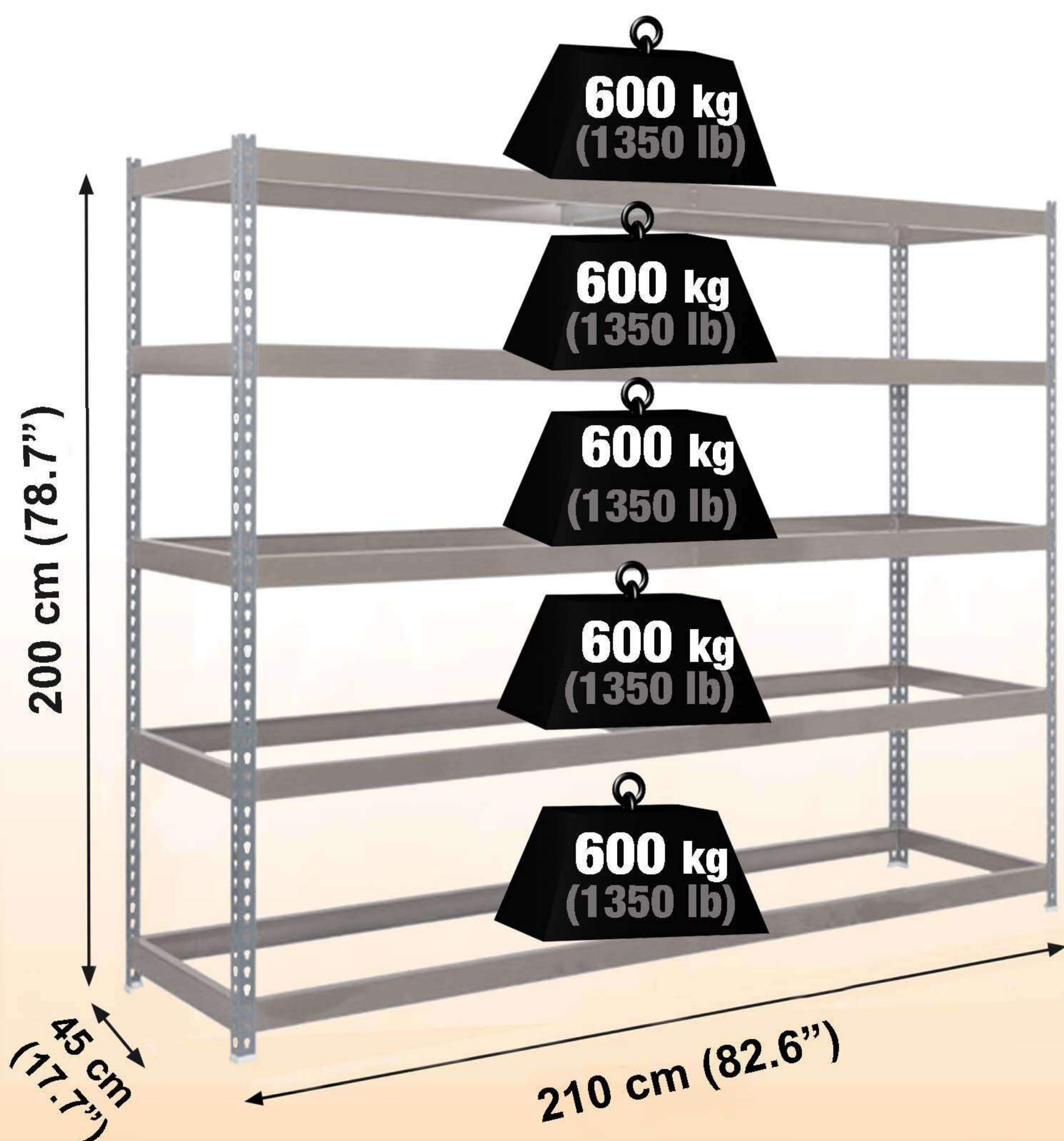


# SIMONFORTE

## ST 2106-5



**200 x 210 x 45 cm**  
**78.7" x 82.6" x 17.7"**



**NOT INCLUDED:**



\*MEDIDAS EN USO / USED MEASUREMENTS  
 MASSMAßEN IM EINGETZT / MESURES EN EMPLOI / MEDIDAS EN USO:  
 1995 x 2110 x 460 mm (78.5" x 83.07" x 18.1")



ESTANTERIAS SIMON S.L. B.50.556.463  
 PG. ALFAMEN C/ POLIGONO C, N°3  
 ALFAMEN (ZARAGOZA)

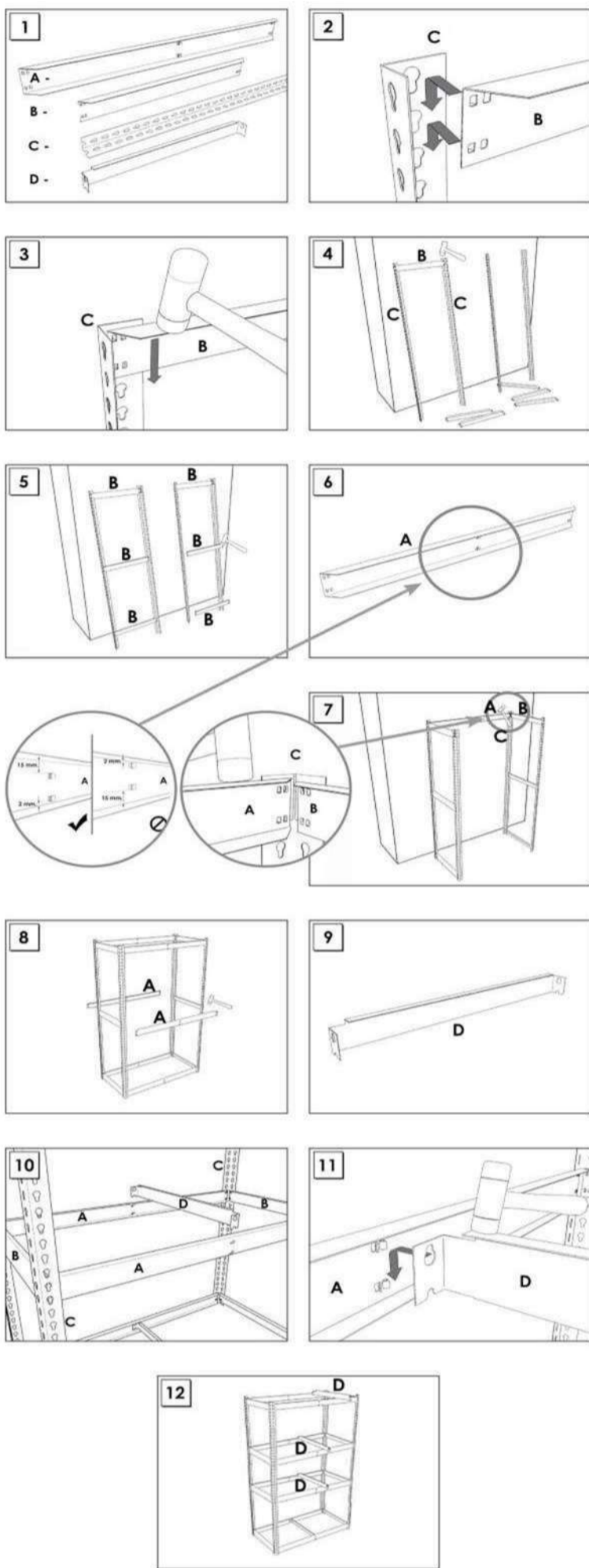


[www.simonrack.com](http://www.simonrack.com)



**INSTRUCTIONS**

## STANDARD MOUNTING



On-line instructions: [www.simonrack.com/instructions](http://www.simonrack.com/instructions) LOGIN: 196003

[www.simonrack.com](http://www.simonrack.com) • [www.simonrack.com](http://www.simonrack.com) • [www.simonrack.com](http://www.simonrack.com) • [www.simonrack.com](http://www.simonrack.com)

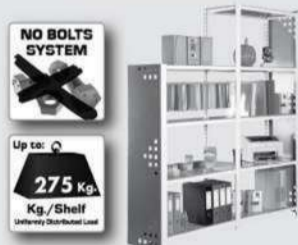
### SIMONCLASSIC



### SIMONCLICK



### OFFCLICK



### SIMONFORTE



### SIMONCROMO



### SIMONINOX



### SIMONTITÁN



### SIMONPALET



### SIMONLEVER

