

SIMONWORK

BT1 900



144,5 x 91 x 61 cm

56.9" x 35.8" x 24.0"

5 Años Garantía
Years Guarantee
Jahre Garantie
Ans Garantie
Anos de Garantia

SIMONRACK



144,5 cm (56.9")

60,3 cm (23.7")

61 cm (24.0")

91 cm (35.8")

84,2 cm (33.1")



- 2 x 144 cm (56.7")
- 2 x 84 cm (33.1")
- 1 x 60x90 cm (23.6"x35.4")
- 1 x 35x90 cm (13.8"x35.4")
- 3 x 90 cm (35.4")
- 4 x 60 cm (23.6")
- 1 x 90 cm (35.4")
- 6 x 9,5x19 cm (3.7"x7.5")
- 3 x 90x20 cm (35.4"x7.9")
- 6 x



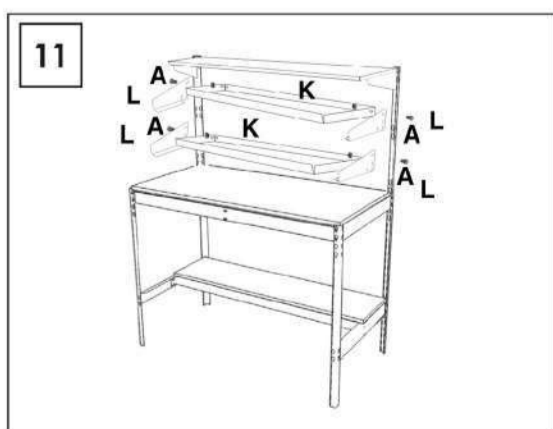
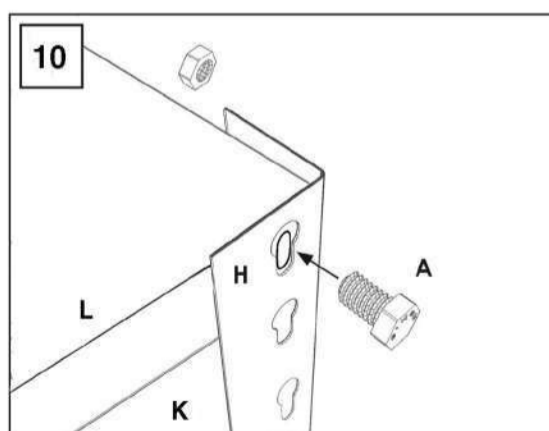
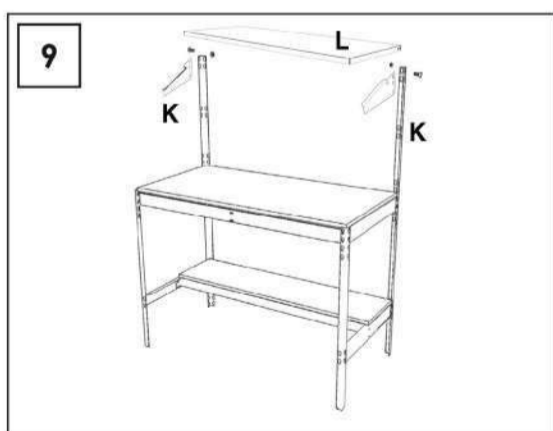
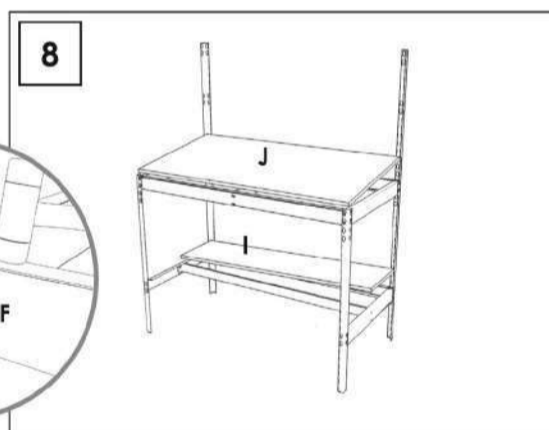
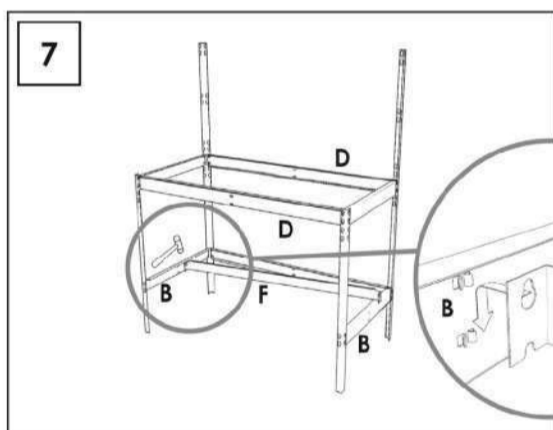
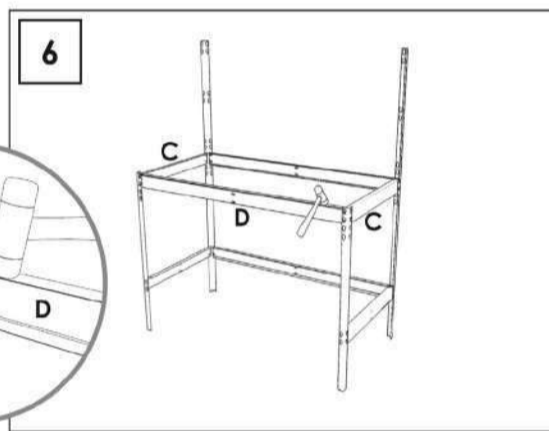
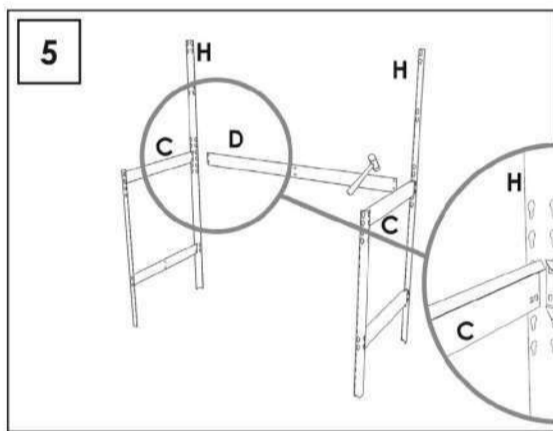
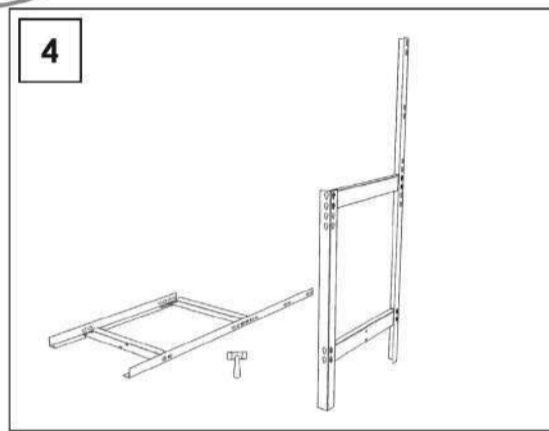
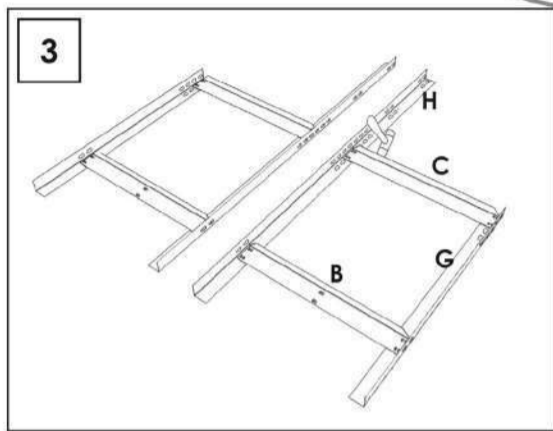
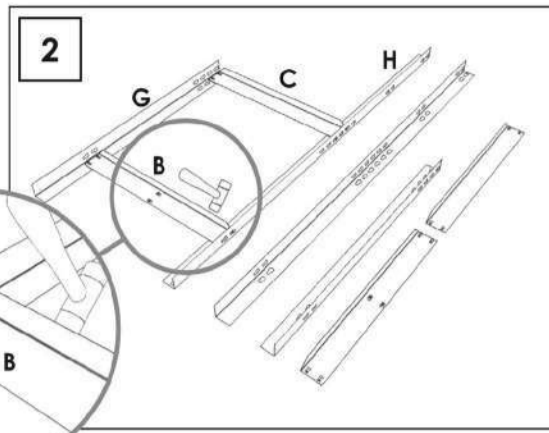
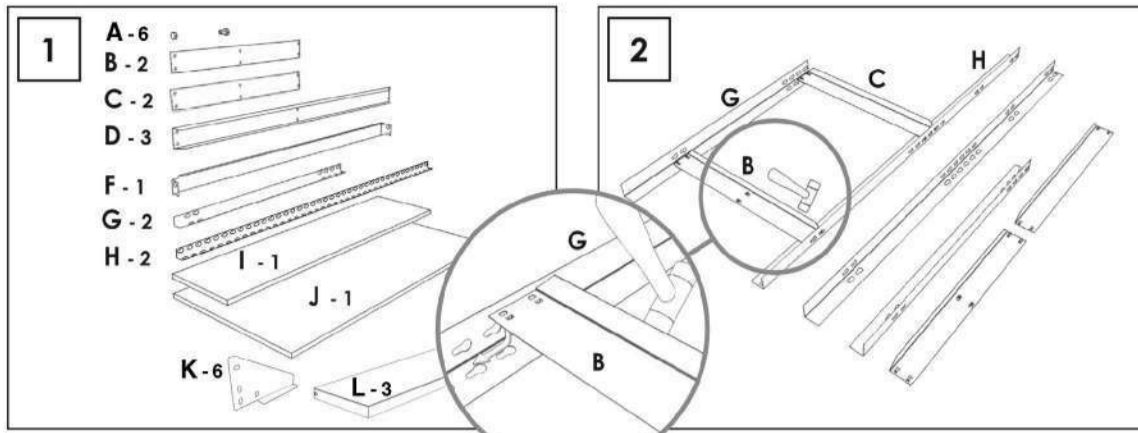
ESTANTERIAS SIMON S.L. B.50.556.463
PG. ALFAMEN C/ POLIGONO C. Nº3
ALFAMEN (ZARAGOZA)



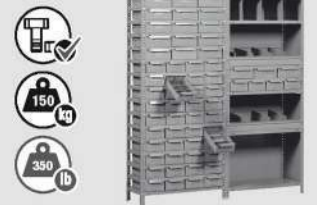
www.simonrack.com



INSTRUCCIONES
INSTRUCTIONS
ANLEITUNG
INSTRUCTIONS



SIMONCLASSIC



SIMONCLICK



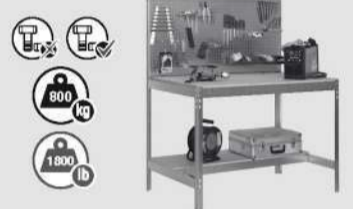
SIMONTALLER



SIMONAUTO



SIMONWORK



SIMONLOCKER



SIMONOFFICE



SIMONHOME



SIMONGARDEN



SIMONTITÁN

SIMONINOX



SIMONINDUSTRIAL

SIMONPALET

SIMONLEVER



ALTILOS Y PASILLOS ELEVADOS
PLATFORMS AND MEZZANINES
LAGERBUHNEN • PLATES-FORMES ET MEZZANINES



* Kg / lb por bandeja con carga uniformemente repartida
Kg / lb per shelf uniformly distributed load
Kg / lb pro fach bei gleichmäßig verteilter Last
Kg / lb par plateau avec charge uniformément répartie