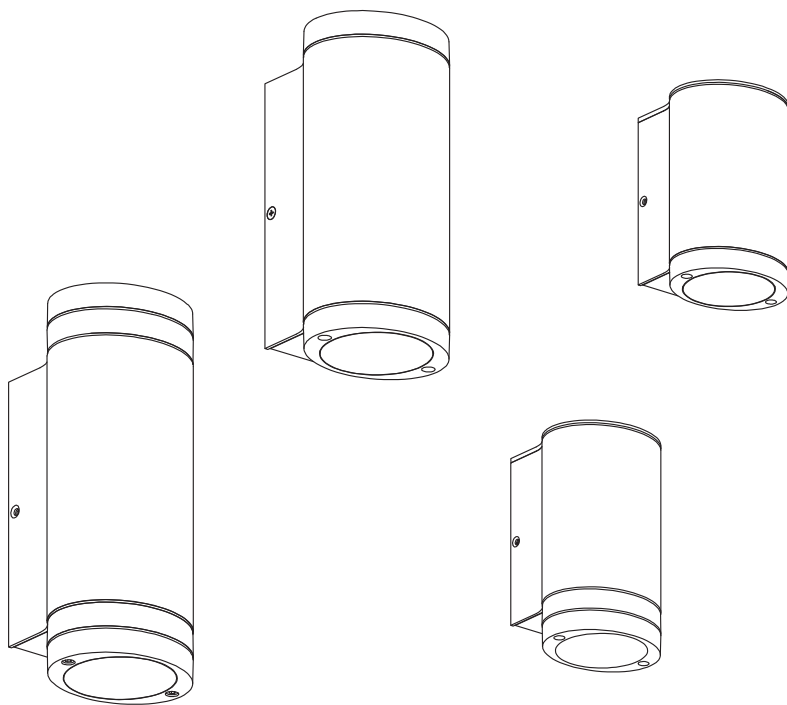




















---

**ENDURA® CLASSIC**

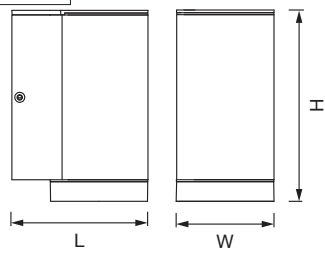

---



	EAN	W	⌀ (°C)	V~	Hz
ENDURA CLASSIC BEAM GAP GU10 DG	4058075554511	max. 35	-20...+40	220-240	50/60
ENDURA CLASSIC BEAM GU10 DG	4058075554535	max. 35	-20...+40	220-240	50/60
ENDURA CLASSIC BEAMGAPUPDOWN GU10DG	4058075554559	max. 35	-20...+40	220-240	50/60
ENDURA CLASSIC BEAM UPDOWN GU10 DG	4058075554573	max. 35	-20...+40	220-240	50/60


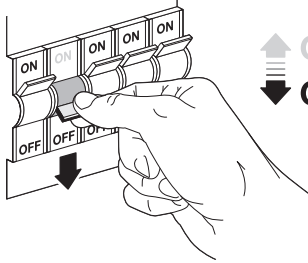
	1x 	<b>630 g</b>	
		4058075554511	
	4x  1x 	<b>844 g</b>	
	4x  1x 	4058075554559	
1x 	1x 	<b>601 g</b>	
		4058075554535	
	4x  1x 	<b>791 g</b>	
	4x  1x 	4058075554573	

mm



	L	W	H
BEAM GAP WALL DOWN	104	92	162.5
BEAM WALL DOWN	104	92	146
BEAM GAP WALL UPDOWN	104	92	233
BEAM WALL UPDOWN	104	92	200

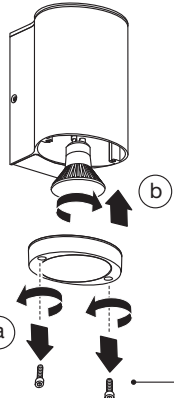
1

ON  
OFF

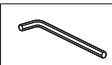
↑ ON  
↓ OFF

2

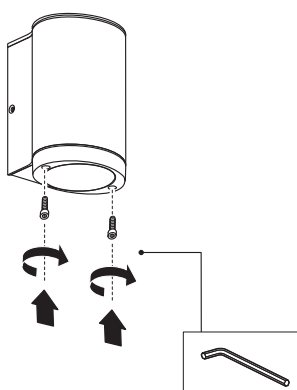
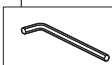


a

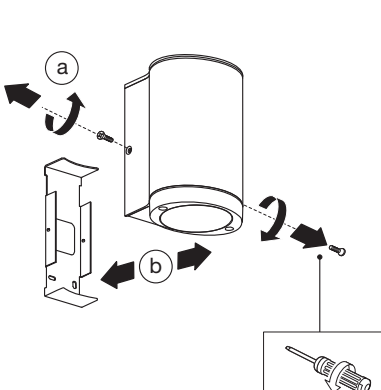
b



3





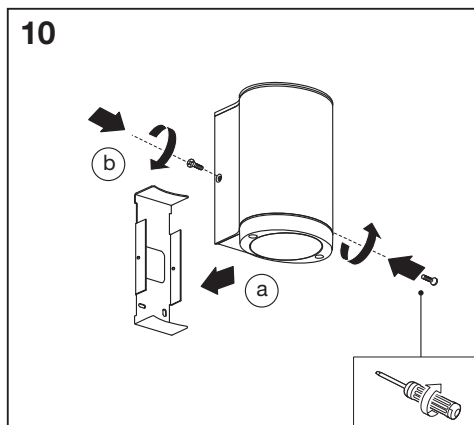
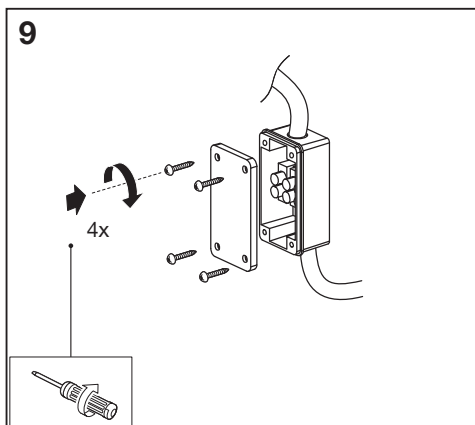
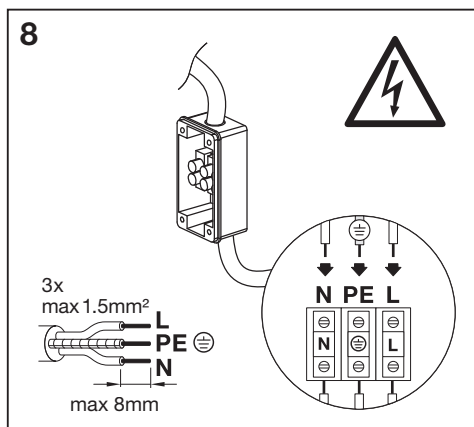
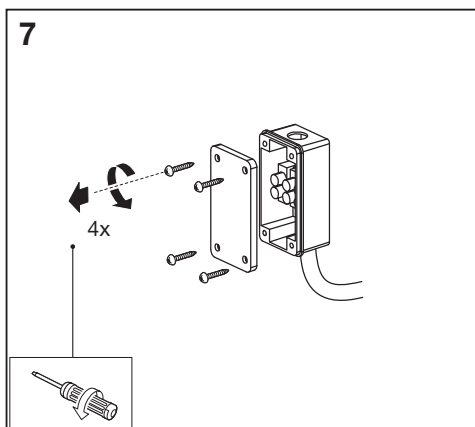
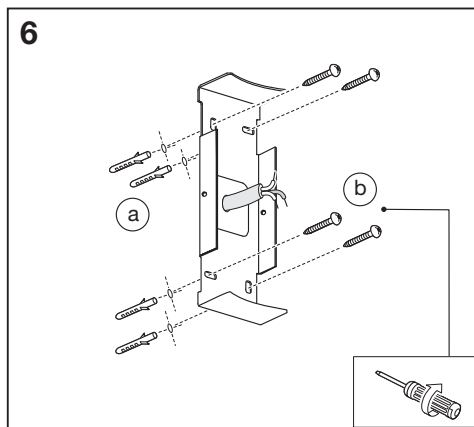
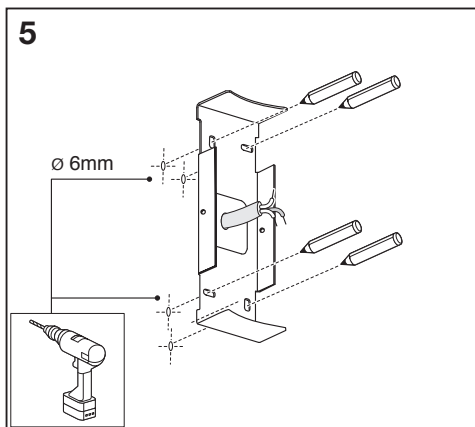
4



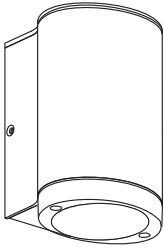
a

b

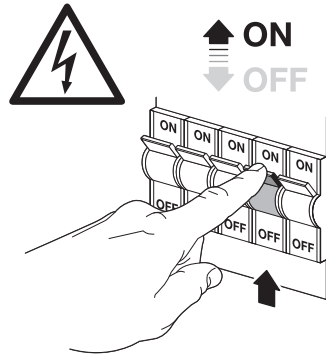




11



12



13



CE ENEC 061    IP44

C10449057  
G11107060  
11.12.2020



LEDVANCE GmbH  
Steinerne Furt 62  
86167 Augsburg, Germany  
[www.ledvance.com](http://www.ledvance.com)