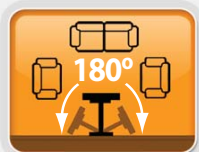
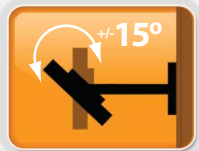
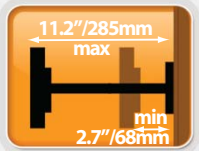




NEO

S E R I E S

innovative, safe and attractive



TECHNICAL DATA SHEET: LNSA200-RO
NEO SINGLE ARM TV MOUNT

Innovative, safe and attractive

Ross Neo Series TV mounts provide a safe and secure mounting solution for your Flat panel TV.

Our unique NEO protection pads give protection to your TV from scratches, while improving audio clarity by reducing unwanted vibration.

Features:

- Single arm for improved viewing
- Easy slide-on installation
- Safety locking screw
- Neo protective pads

Protective pads for TV protection & improved audio

Spirit Level for level installation



Security screw

Quick release handle for easy adjustment

Technical Specifications:

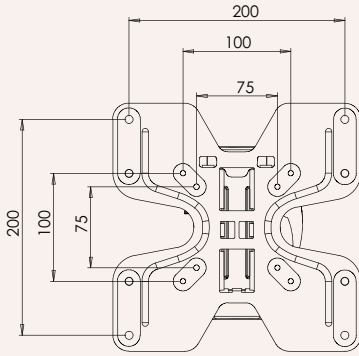
Max Load	Distance from Wall		Swivel Range	Tilt Range	No. of Articulation Points	Mounting pattern	VESA Compatible:
	Max (Extended)	Min (folded)					
25Kg/ 55lbs	285mm/ 11.2"	68mm/ 2.7"	180°	+/-15°	2	Single Stud & Solid Wall	75x75-200x200



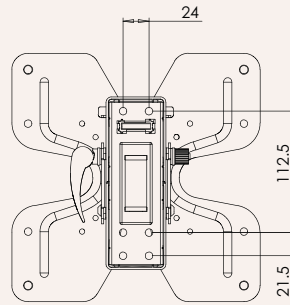


TECHNICAL DATA SHEET: LNSA200-RO
NEO SINGLE ARM TV MOUNT

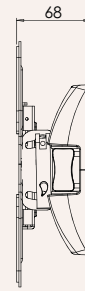
VESA Details



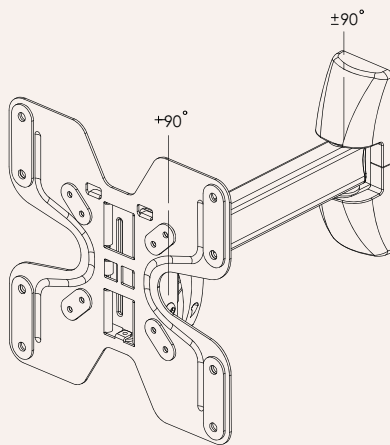
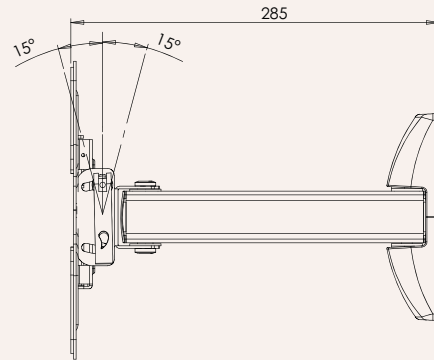
Mounting Hole Details



Min Profile



Max Extension



All dimensions are in mm

Packaging Information:

Product Number	Description	Product Packaging		Outer Packaging		
		Type	Barcode	Type	Qty in Box	Barcode
LNSA200-RO	Neo Single Arm TV Mount	Colour Gift Box	5015056 516639	Brown Outer with Label	4	05015056 397900

Weight & Dimensions:

Product			Product Box			Outer Box		
Extended	Folded	Net Weight	Dimensions	Gross Weight	Cubic	Dimensions	Gross Weight	Cubic
23 x 23 x 28.5 cm	35 x 23 x 7 cm	1.7kg	36 x 23.8 x 8 cm	2kg	0.0069m ³	39 x 26.5 x 35.5 cm	8.5kg	0.0367m ³
9.06" x 9.06" x 11.22"	13.78" x 9.06" x 2.76"	3.74lbs	14.17" x 9.37" x 3.15"	4.4lbs	0.2421ft ³	15.35" x 10.43" x 13.98"	18.7lbs	1.2957ft ³