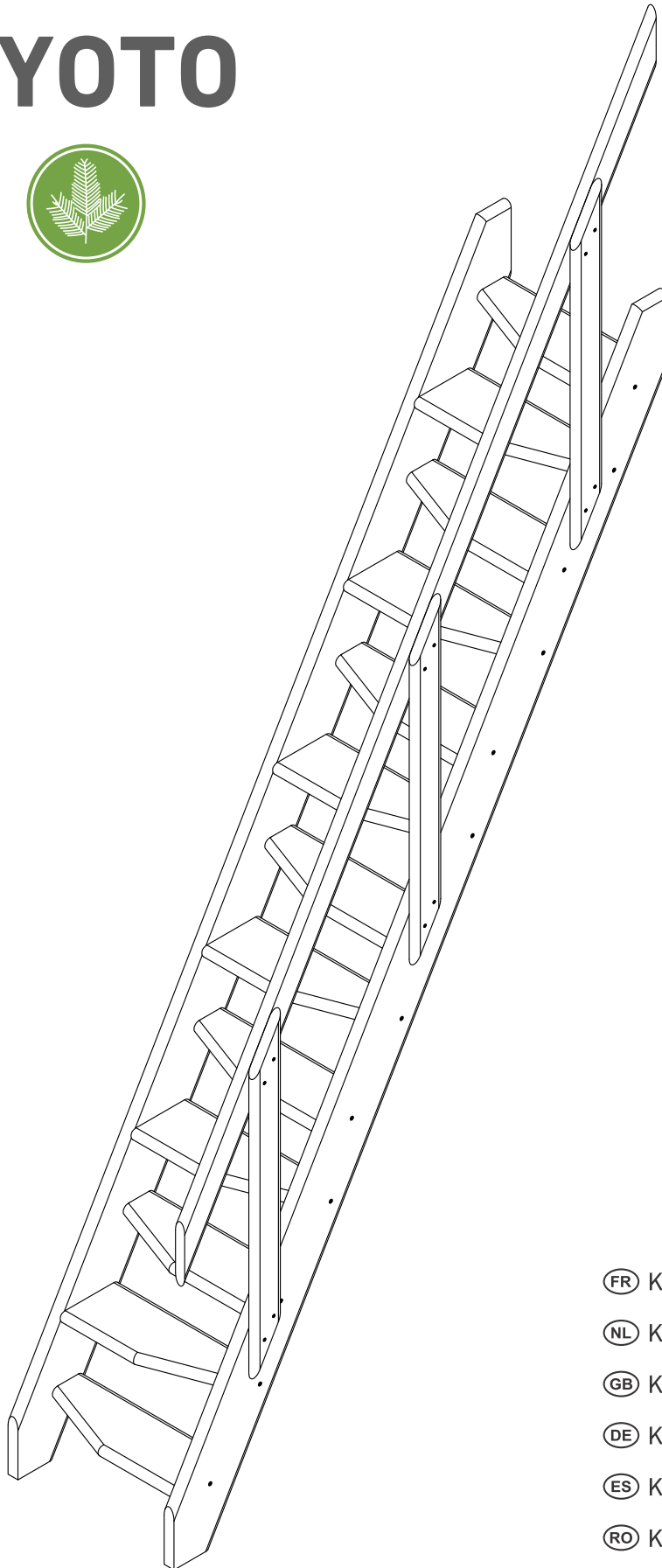
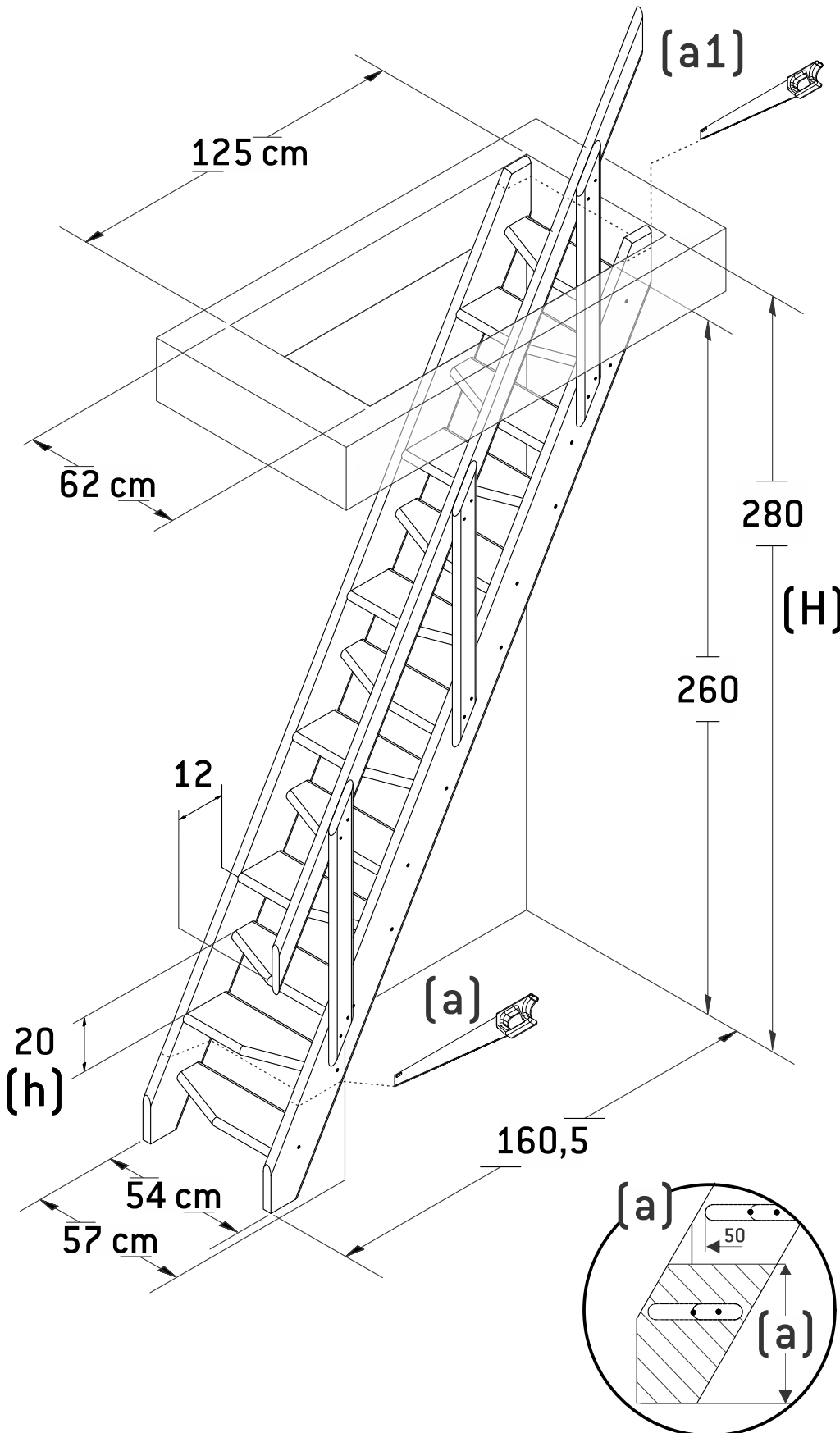




# KYOTO



- Ⓡ FR KYOTO ESCALIER
- Ⓡ NL KYOTO TRAP
- Ⓡ GB KYOTO STAIRCASE
- Ⓡ DE KYOTO OSAKA
- Ⓡ ES KYOTO ESCALERA
- Ⓡ RO KYOTO SCARA



12 (h)

230	50	0
231	49	0
232	48	0
233	47	0
234	46	0
235	45	0
236	44	0
237	43	0
238	42	0
239	41	0
240	40	0

13 (h)

241	30	9
242	30	8
243	30	7
244	30	6
245	30	5
246	30	4
247	30	3
248	30	2
249	30	1
250	30	0
251	29	0
252	28	0
253	27	0
254	26	0
255	25	0
256	24	0
257	23	0
258	22	0
259	21	0
260	20	0

14 (h)

261	10	9
262	10	8
263	10	7
264	10	6
266	10	4
267	10	3
268	10	2
269	10	1
270	10	0
271	9	0
272	8	0
273	7	0
274	6	0
275	5	0
276	4	0
277	3	0
278	2	0
279	1	0
280	0	0

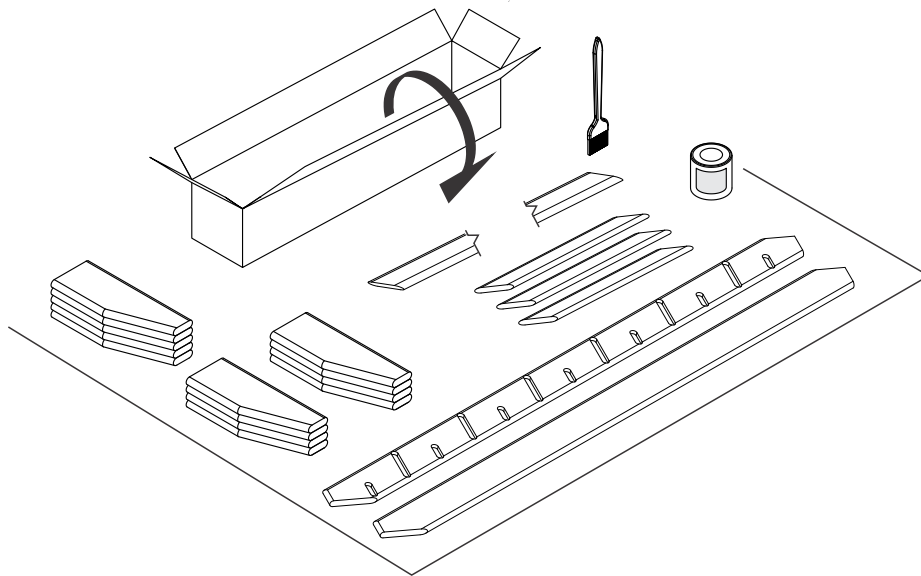
(H) (a) (a1)



<b>01</b> 32x190x3228 x1	<b>02</b> 32x190x3228 x1	<b>03</b> 32x190x510 x13	<b>04</b> 30x90x1000 x3	<b>06</b> 05x60 x26 +2
			<b>05</b> 30x90x3204 x1	<b>07</b> 04x50 x12 +1



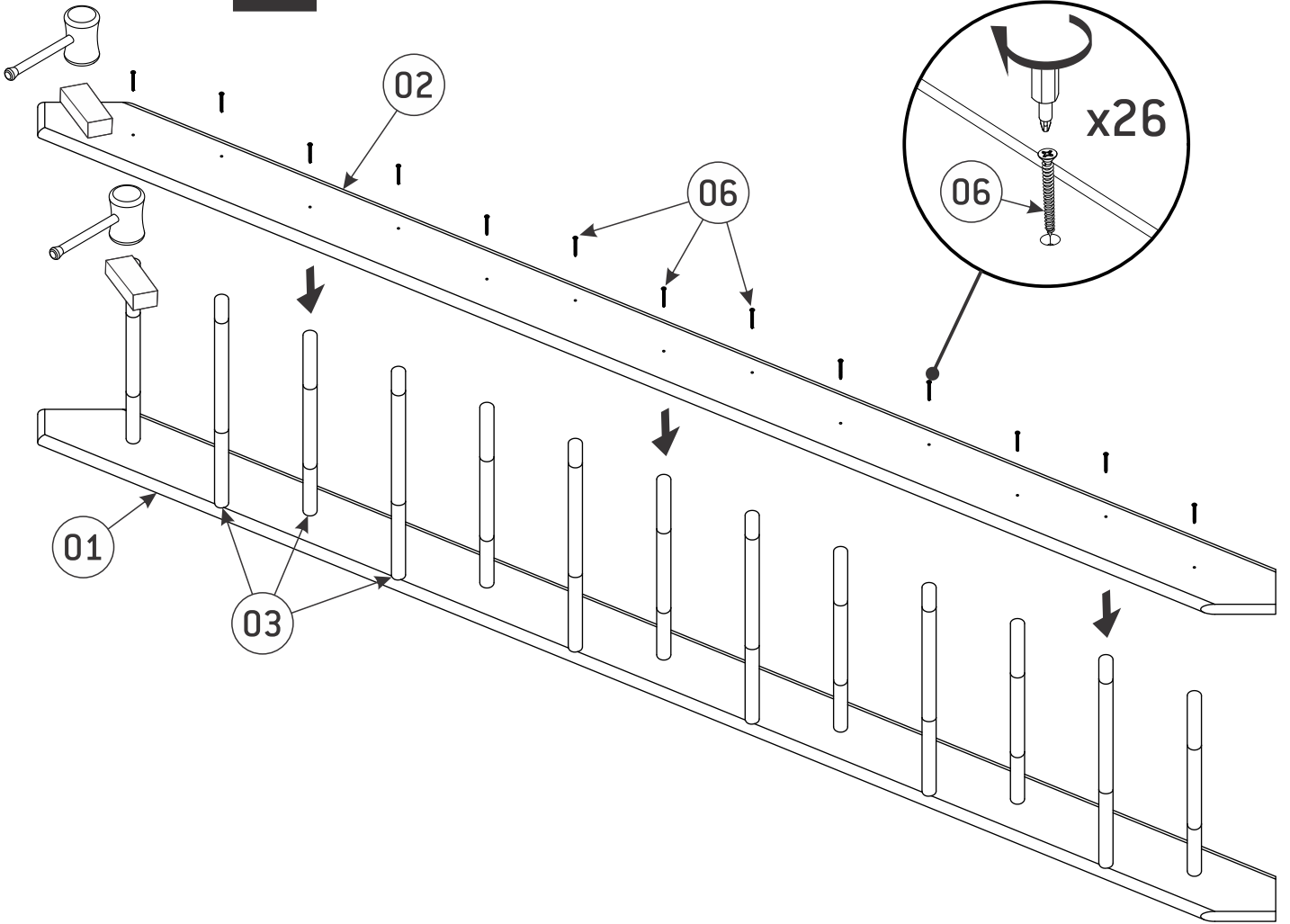
**1**



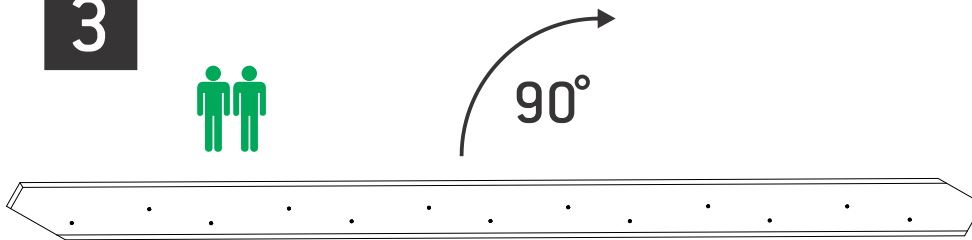
- 
- 
- 
- 
- 
- 
- 
- 
- 
- 
- 
- 
- 
- 
- 
- 
-



**2**

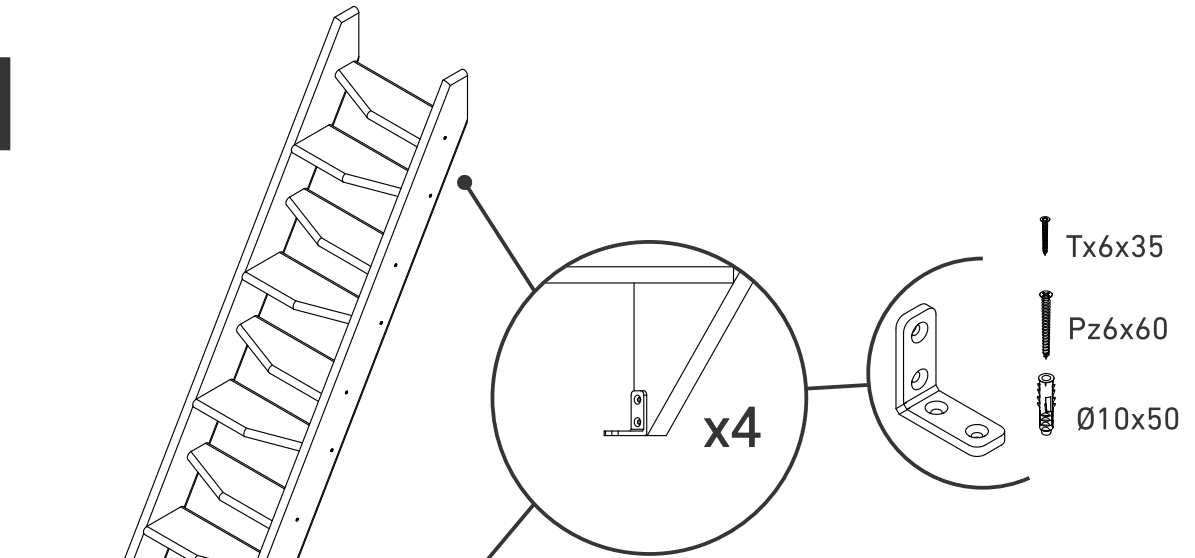


**3**

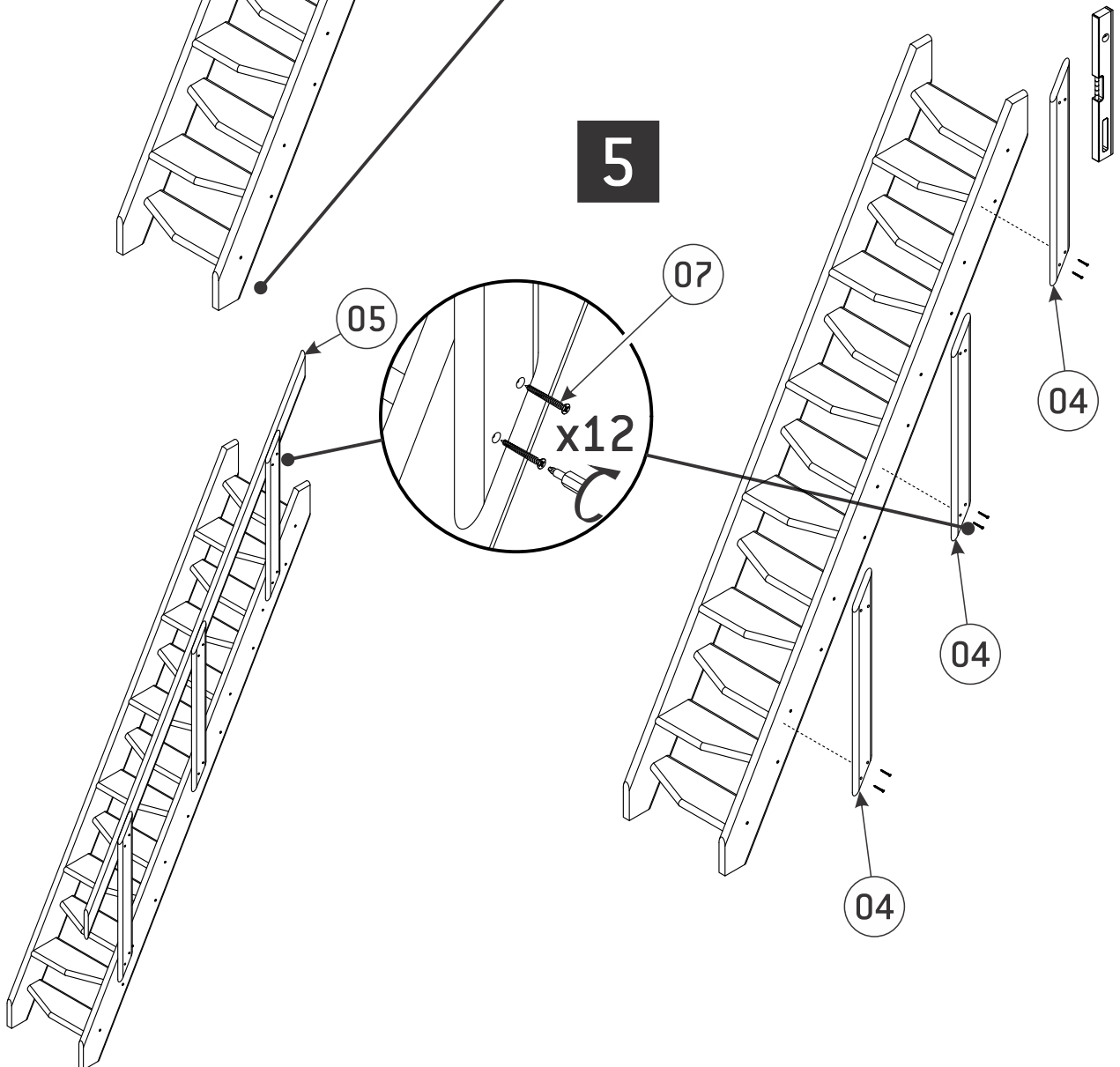




**4**



**5**



RUE GRIMARD,39 B-6061 MONTIGNIES-SUR-SAMBRE(CHARLEROI)-BELGIUM  
TEL: +32/71/25.39.60 FAX: +32/71/25.39.72 E-MAIL: info@sogem-sa.com