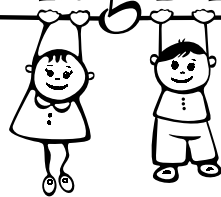


Lucy

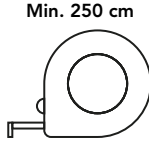
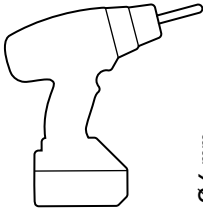
ART. NR. 7880001



Swing King

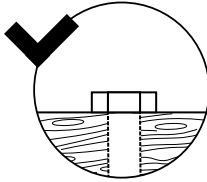
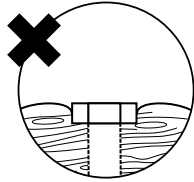
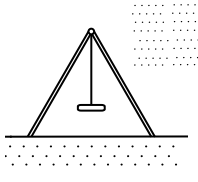
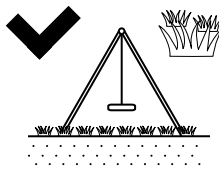
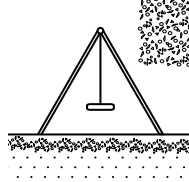
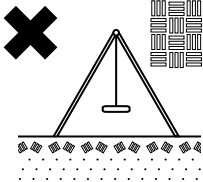
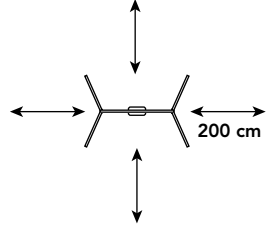


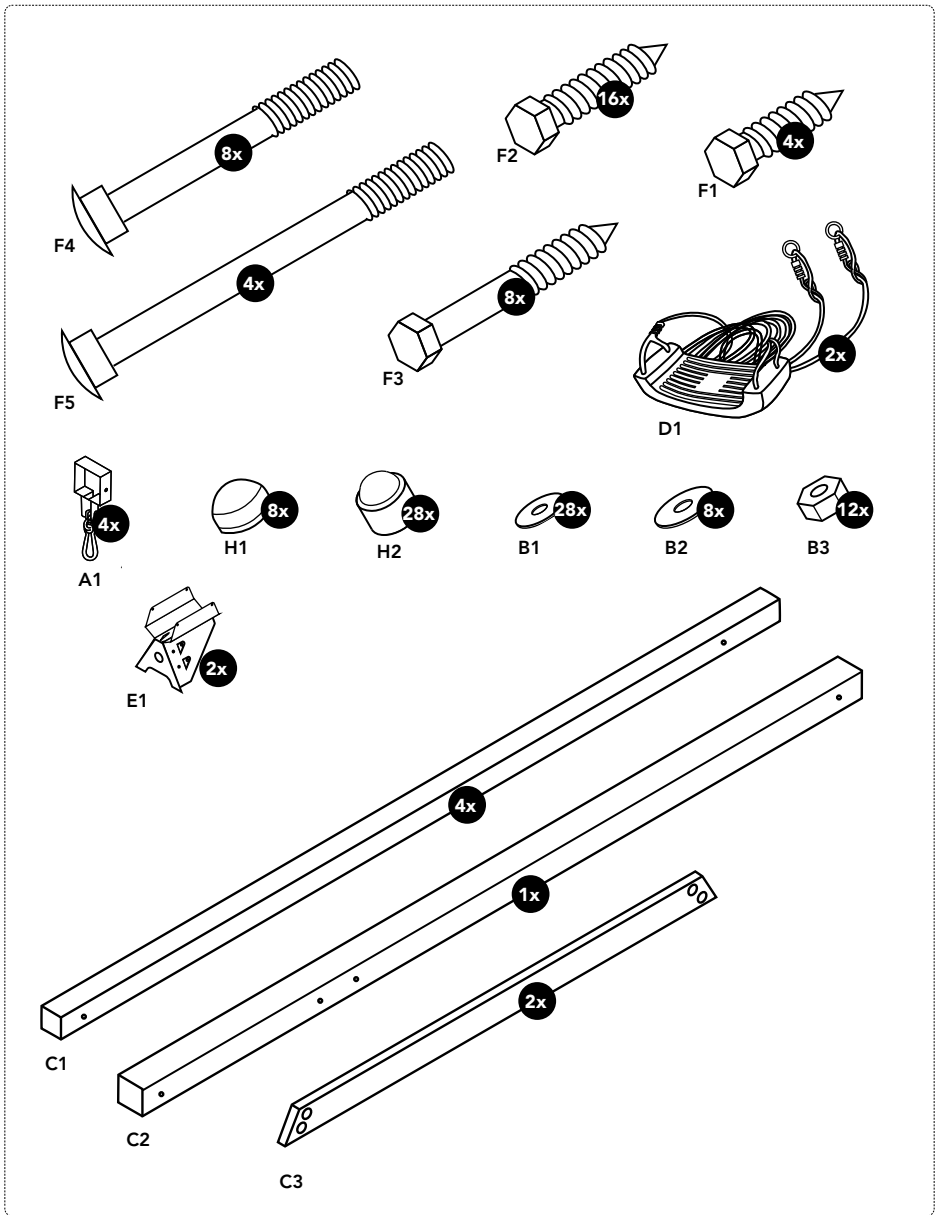
Lucy



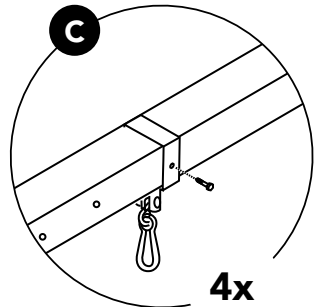
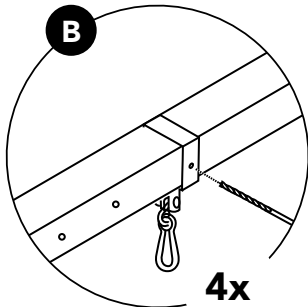
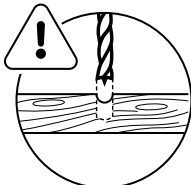
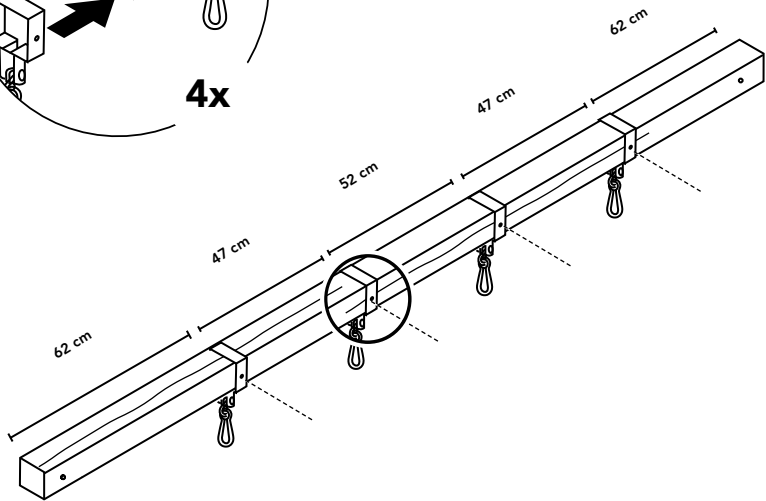
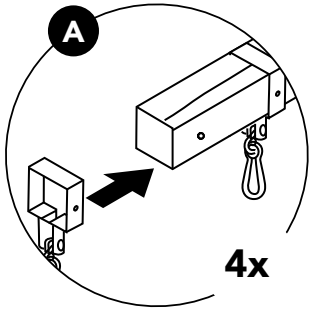
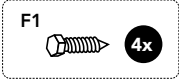
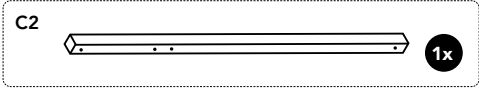
Min. 250 cm

30 m²

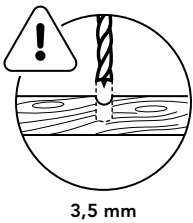
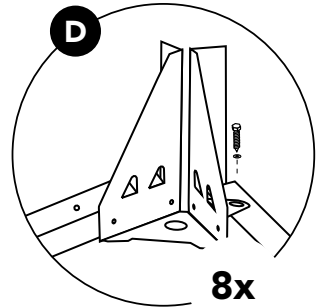
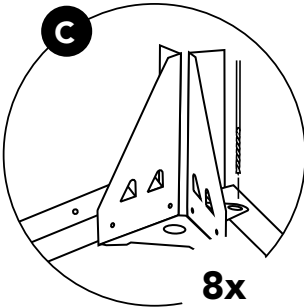
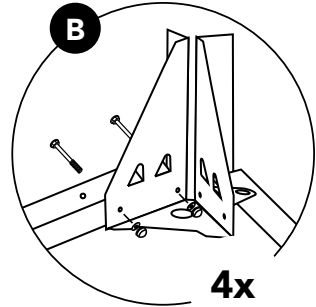
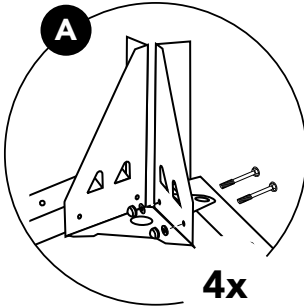
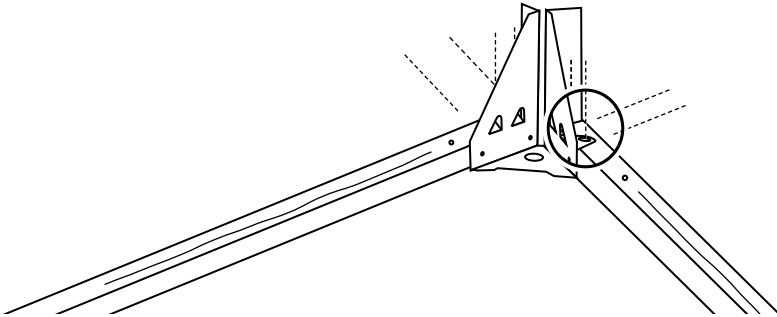
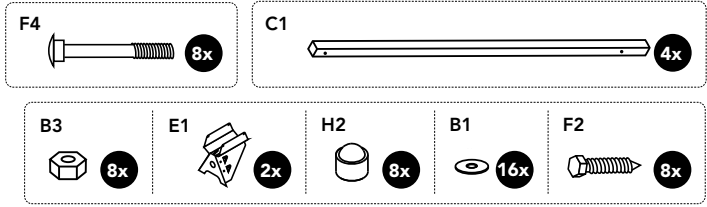







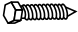
1

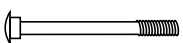


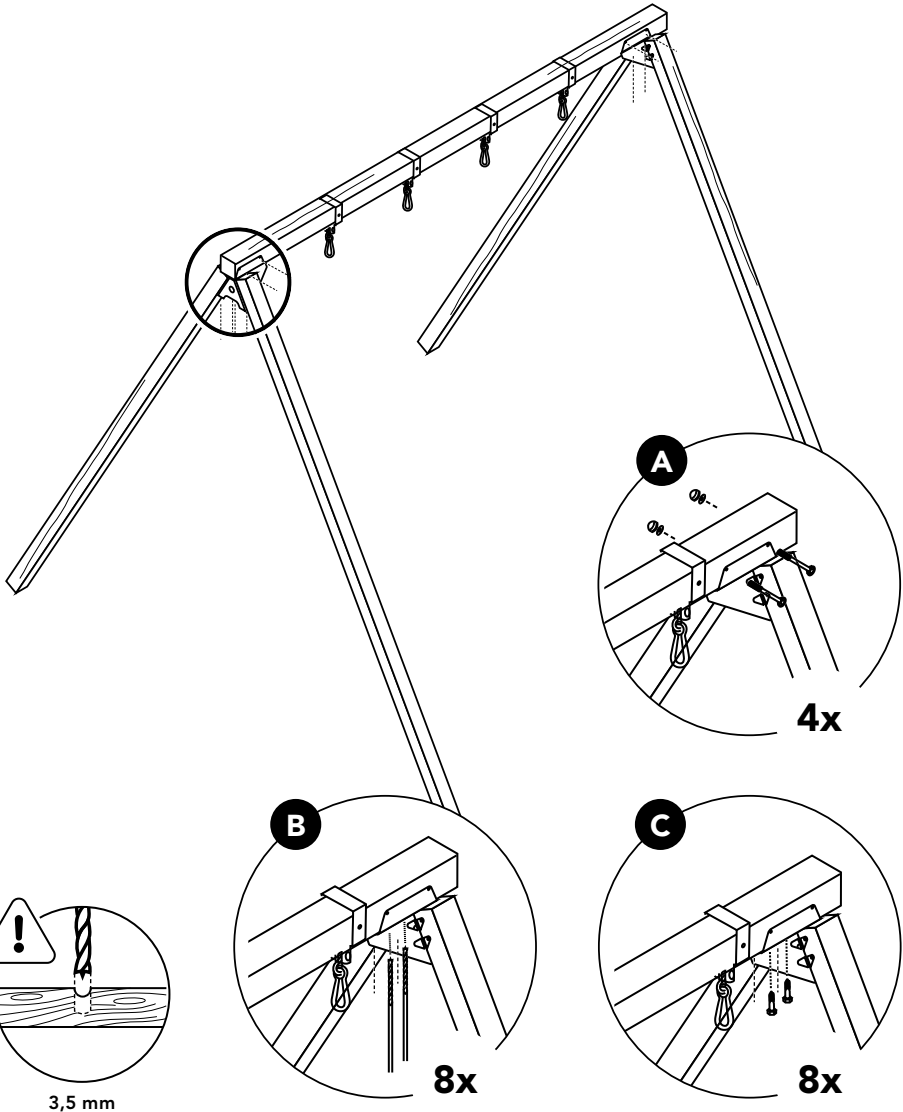
2



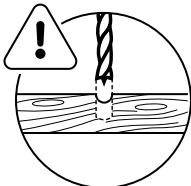
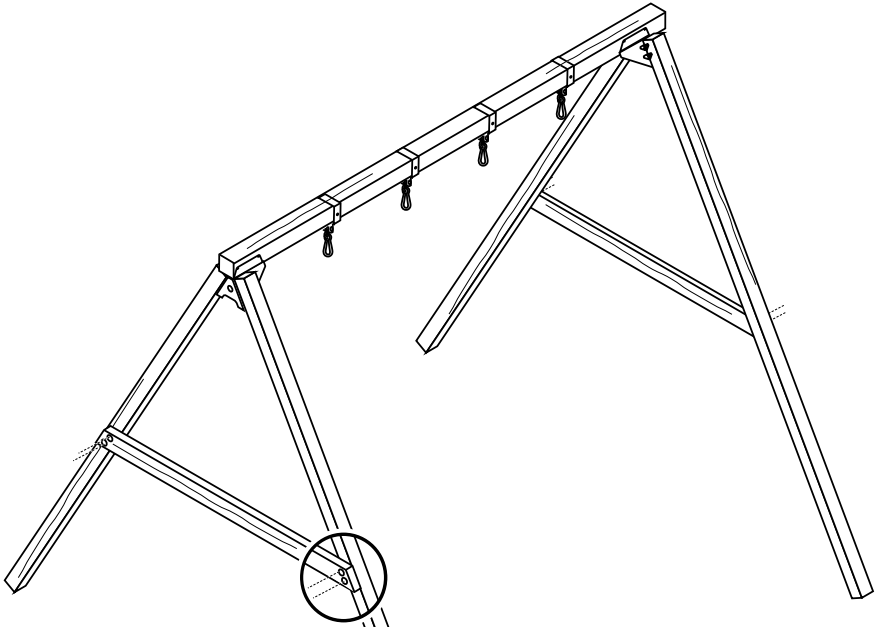
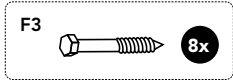
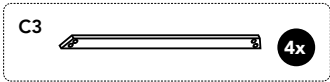
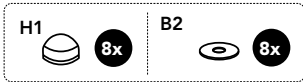
3

B3  4x	H2  3x	B1  12x	F2  8x
--	--	---	--

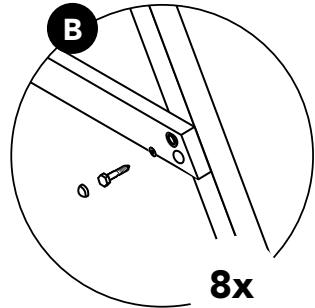
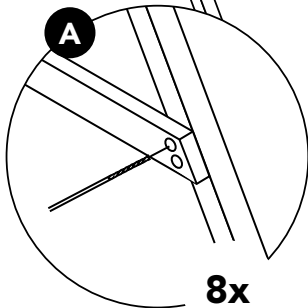
F5  4x
--



4

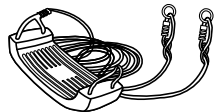


3,5 mm

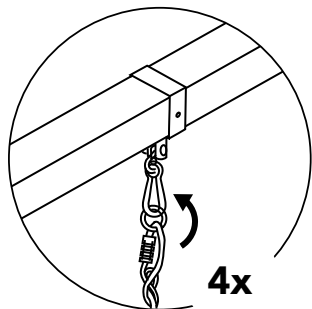


5

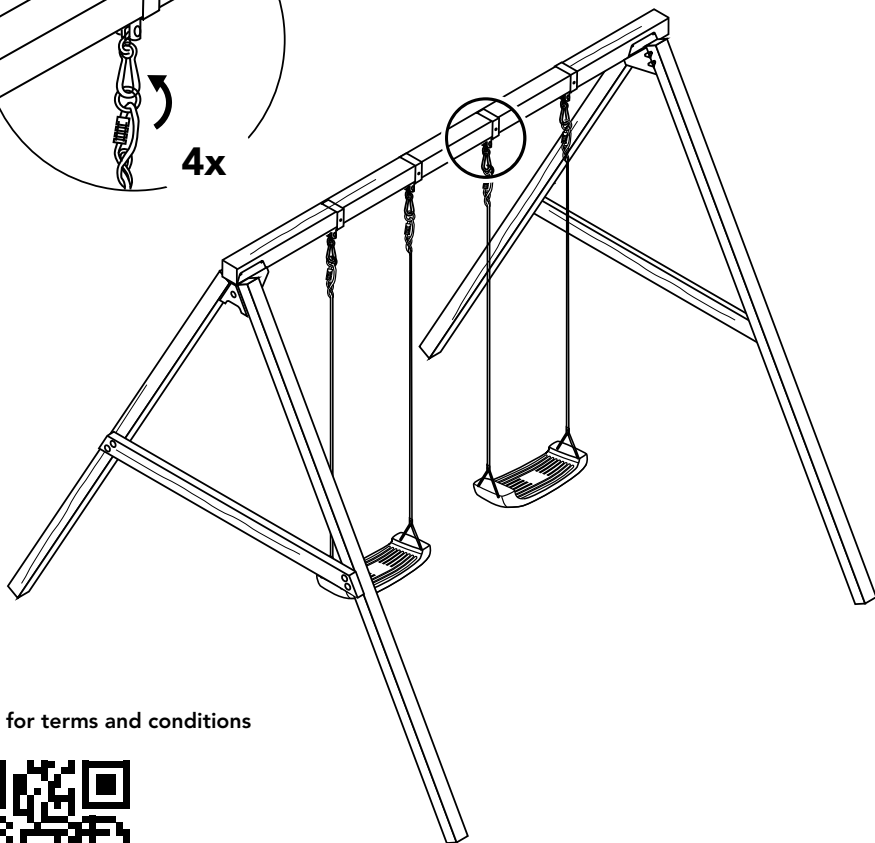
D1



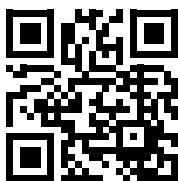
2x



4x



Scan for terms and conditions



+31(0)318 692 221
www.swingking.nl

Swing King IS A BRAND OF:

HAPRO INTERNATIONAL



8 717306 719407 >