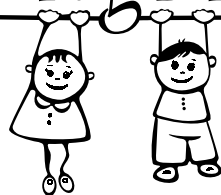


# Eline

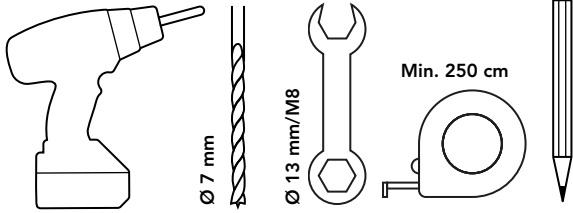
ART. NR. 7880102



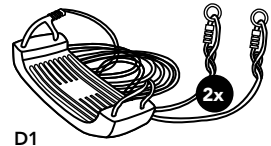
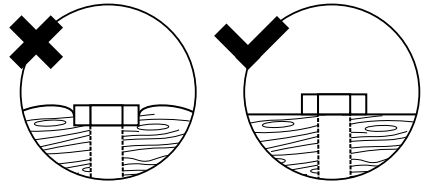
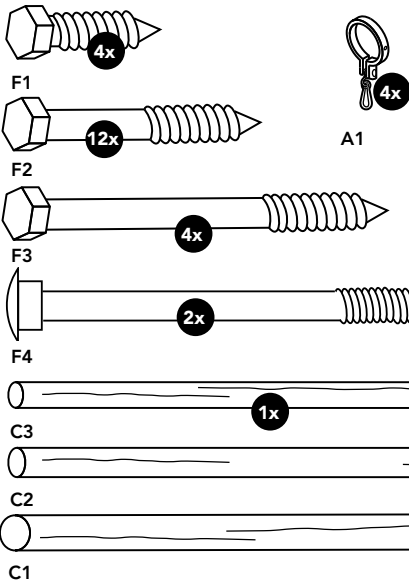
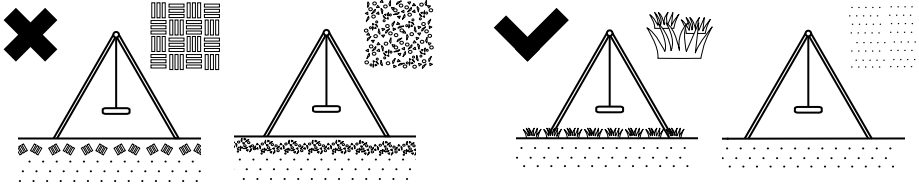
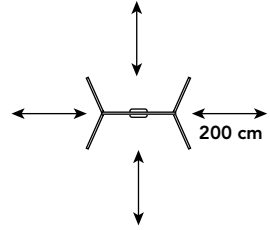
## Swing King



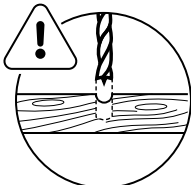
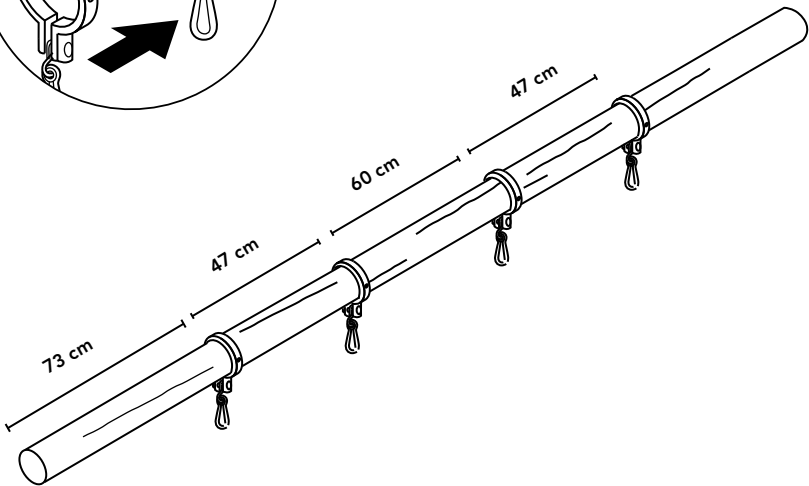
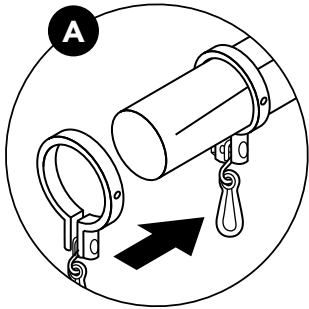
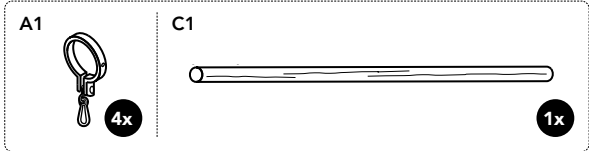
# Eline



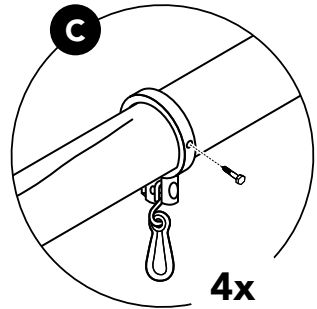
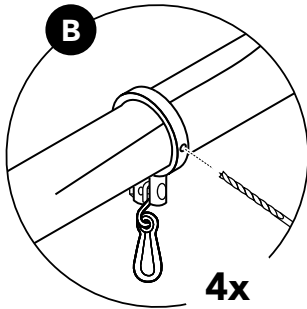
25 m<sup>2</sup>



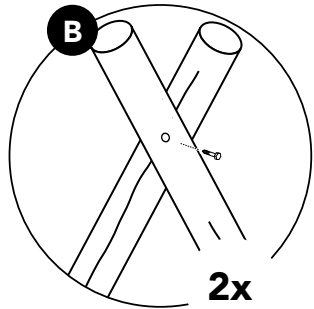
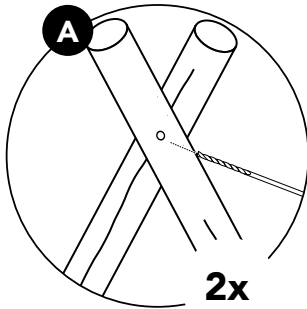
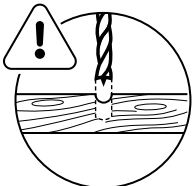
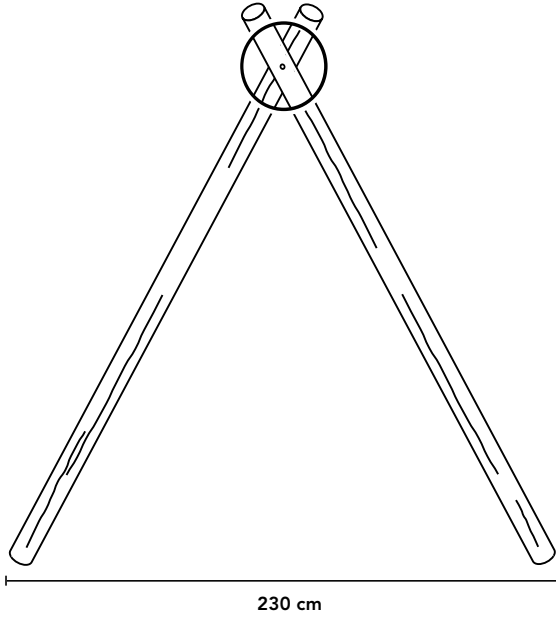
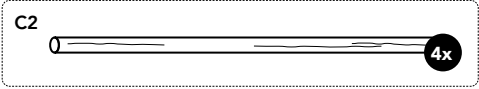
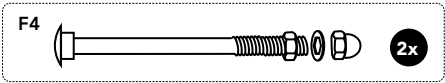
1



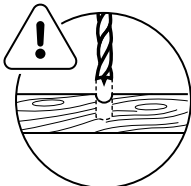
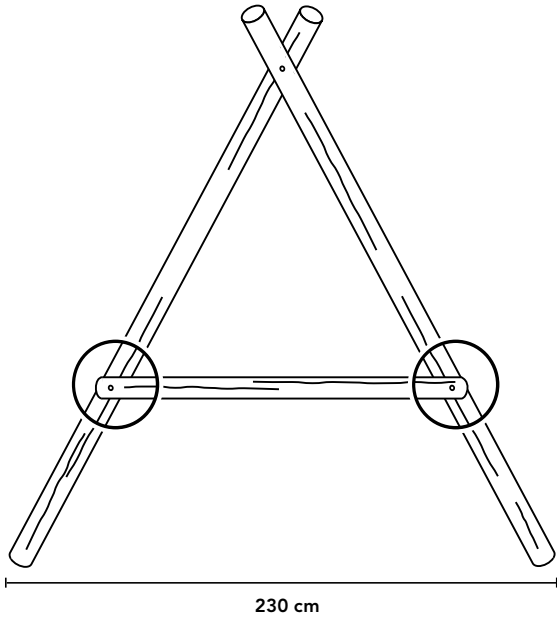
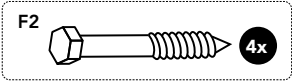
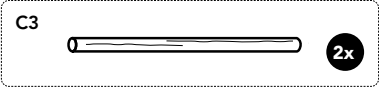
3,5 mm



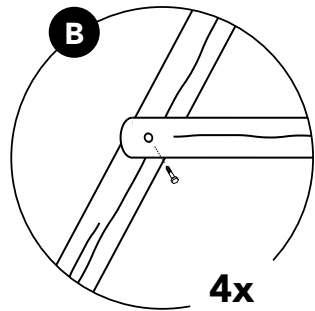
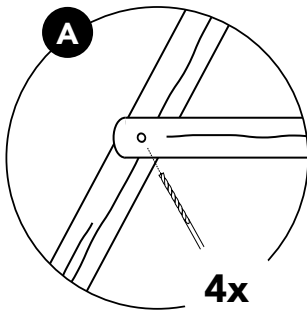
**2**



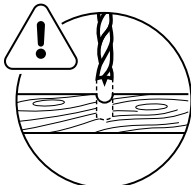
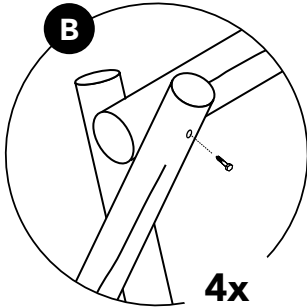
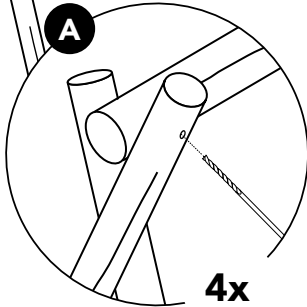
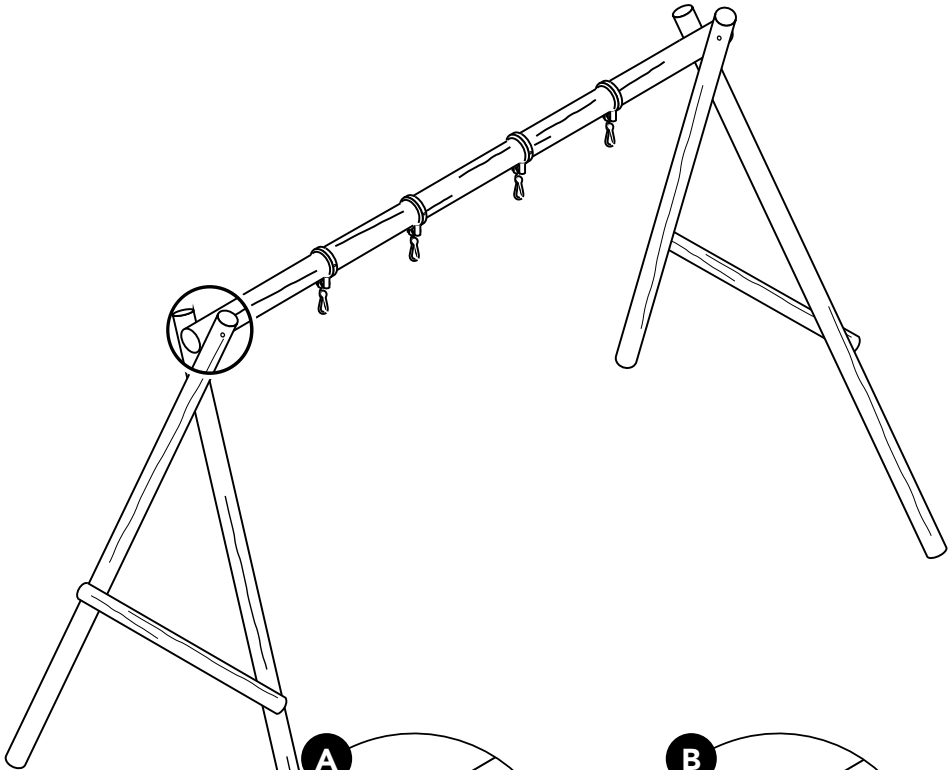
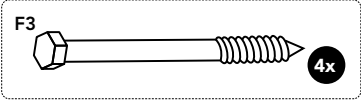
**3**



3,5 mm

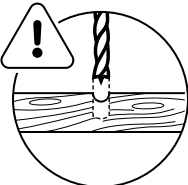
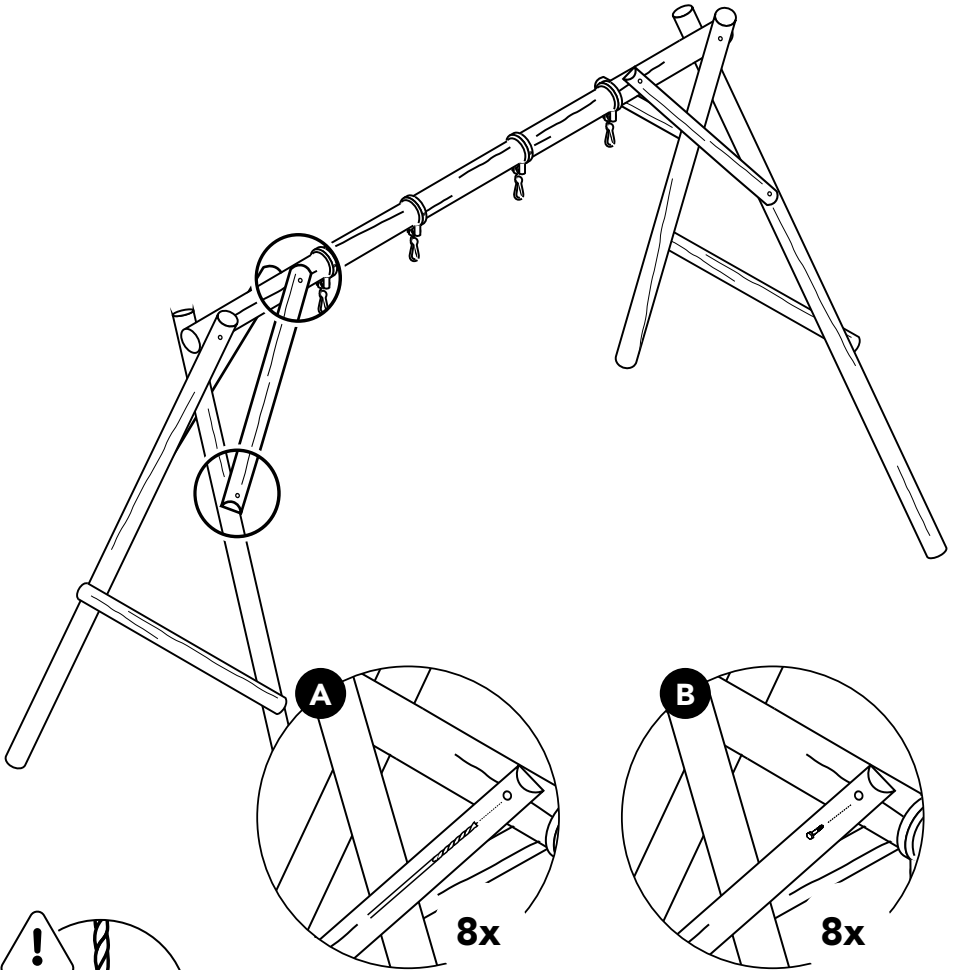
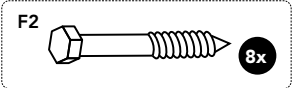
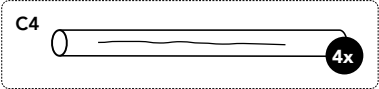


4



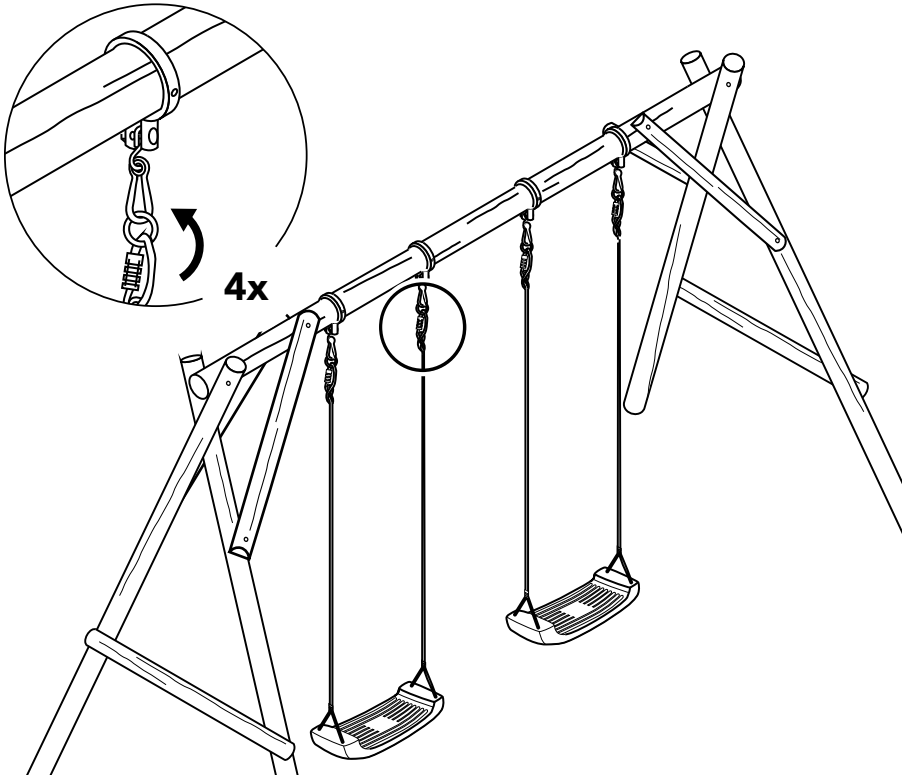
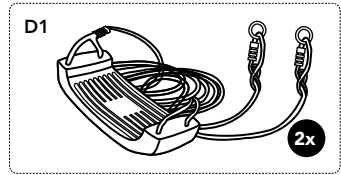
3,5 mm

5

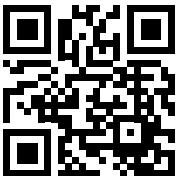


3,5 mm

7



Scan for terms and conditions



+31(0)318 692 221  
[www.swingking.nl](http://www.swingking.nl)

Swing King IS A BRAND OF:

**HAPRO** INTERNATIONAL



8 717306 719384 >