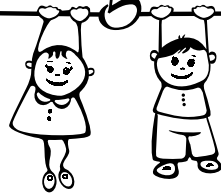


Analies

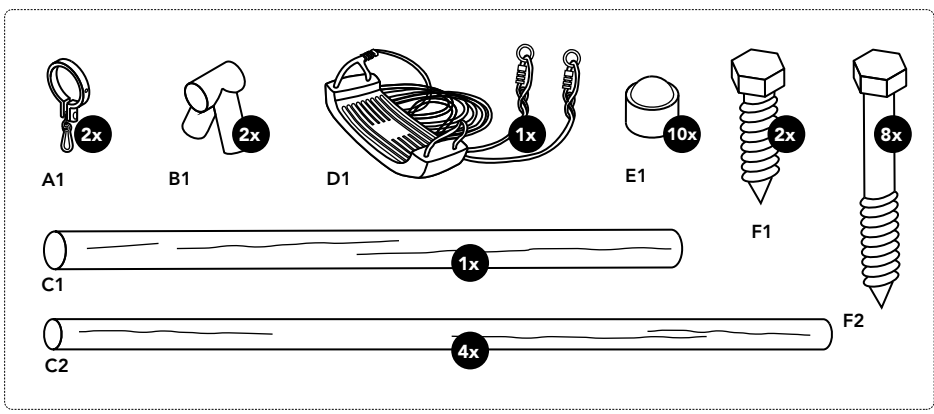
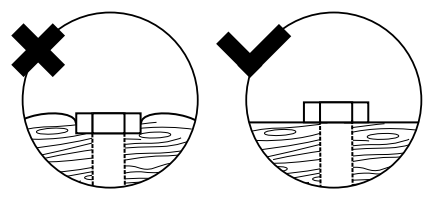
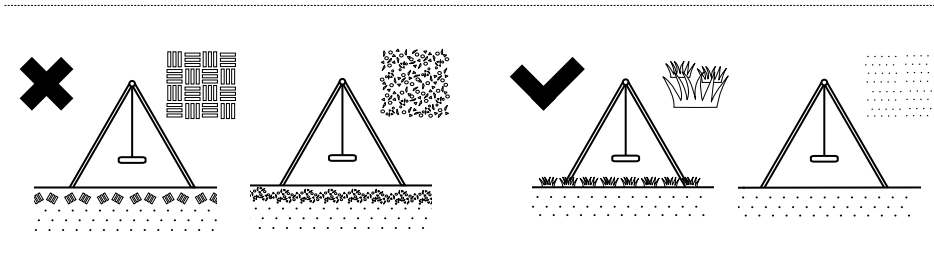
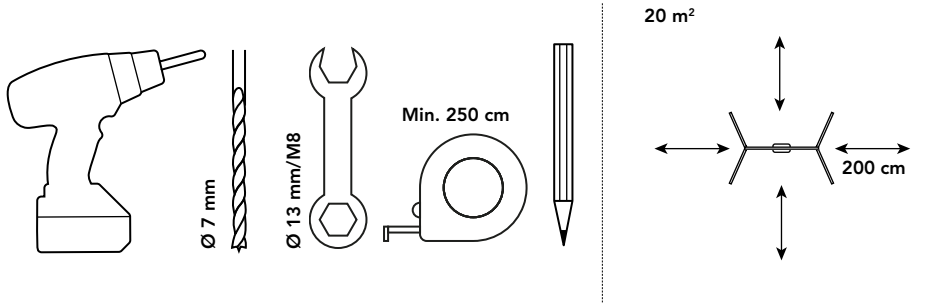
ART. NR. 7930000



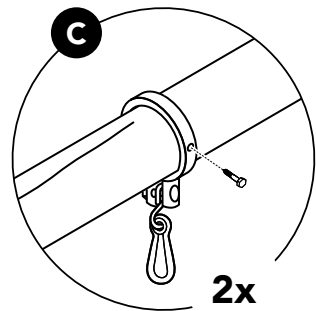
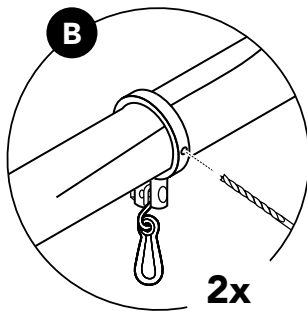
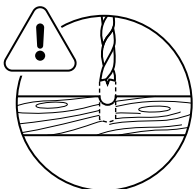
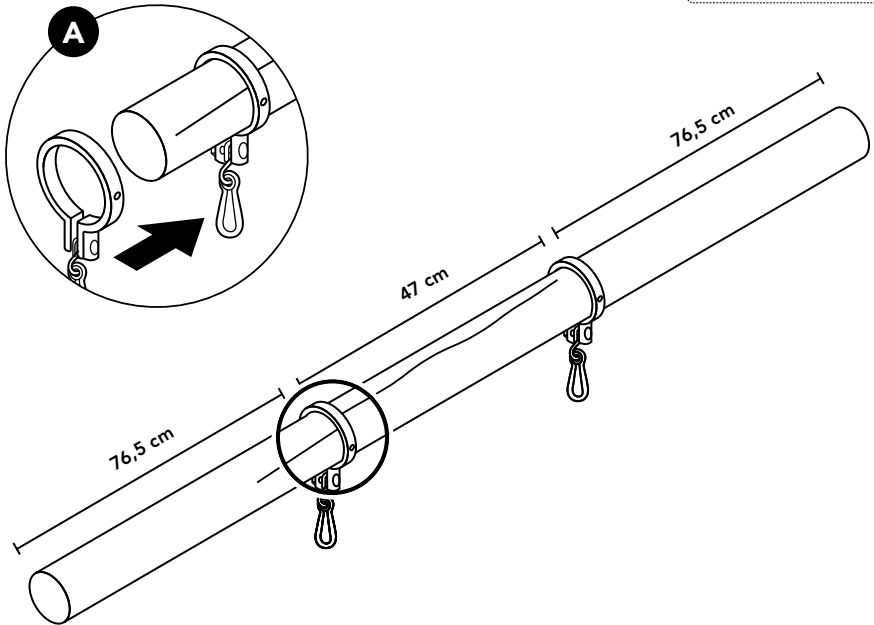
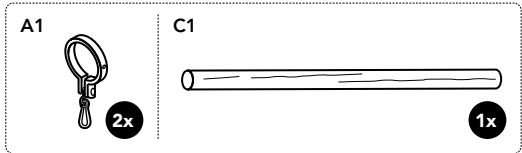
Swing King



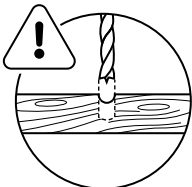
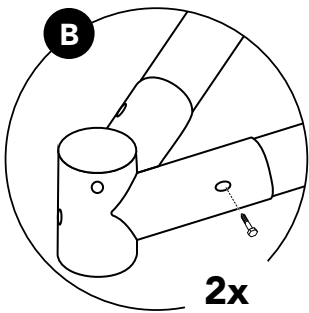
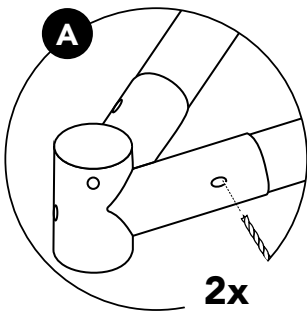
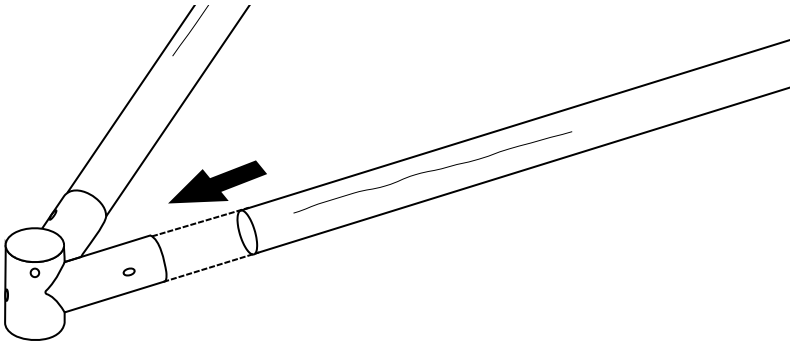
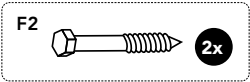
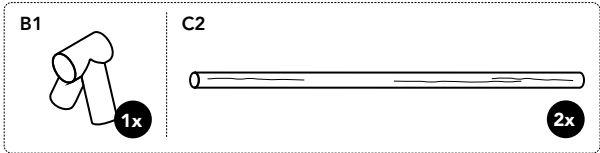
Analies



1

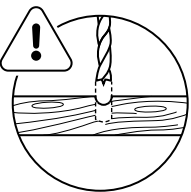
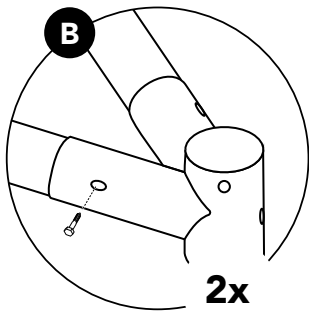
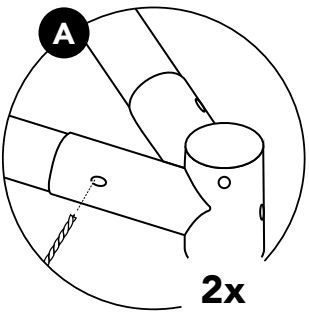
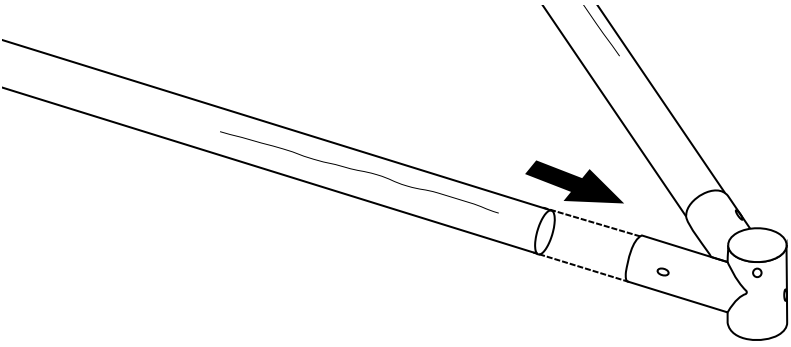
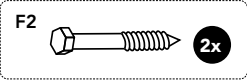
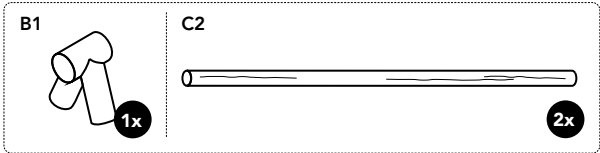


2



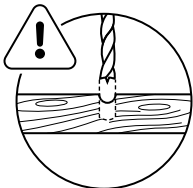
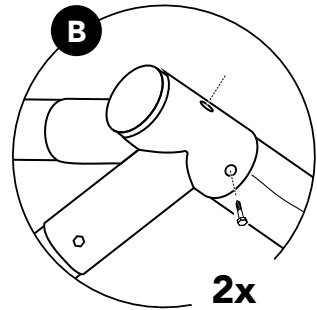
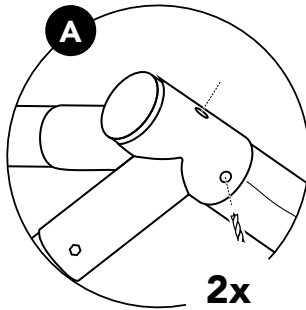
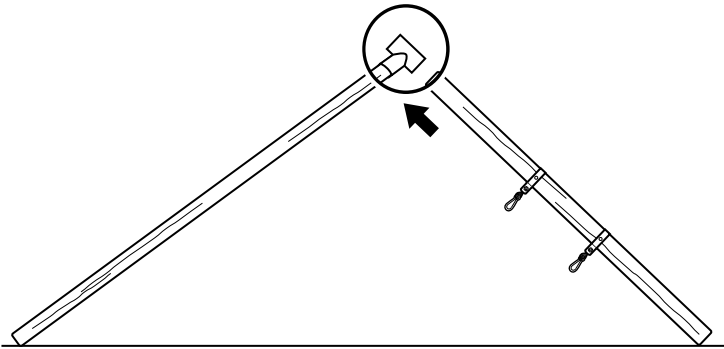
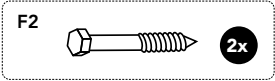
3,5 mm

3

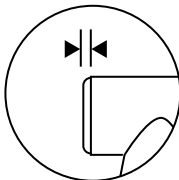


3,5 mm

4

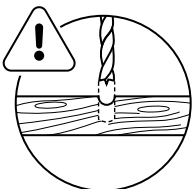
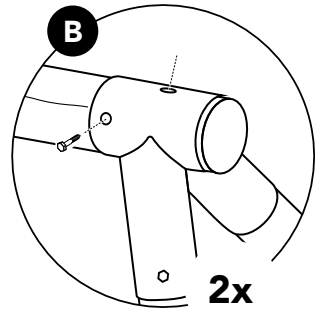
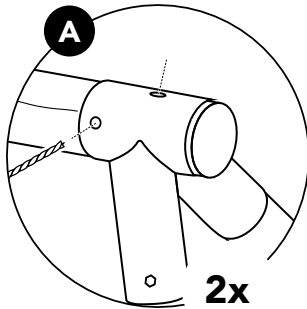
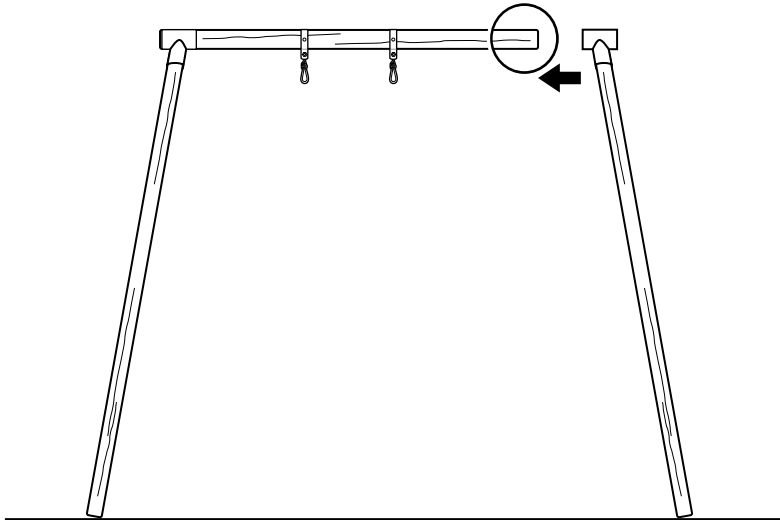
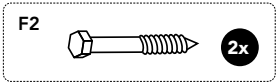


3,5 mm

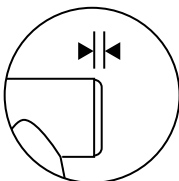


1 cm

5

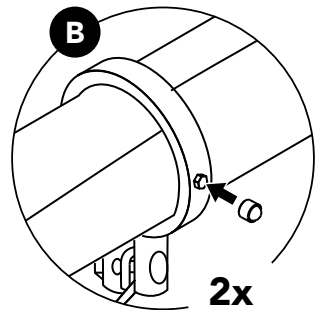
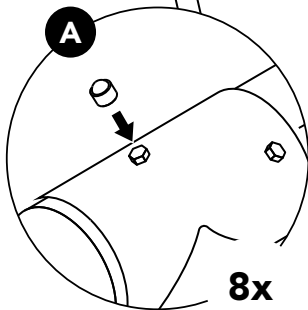
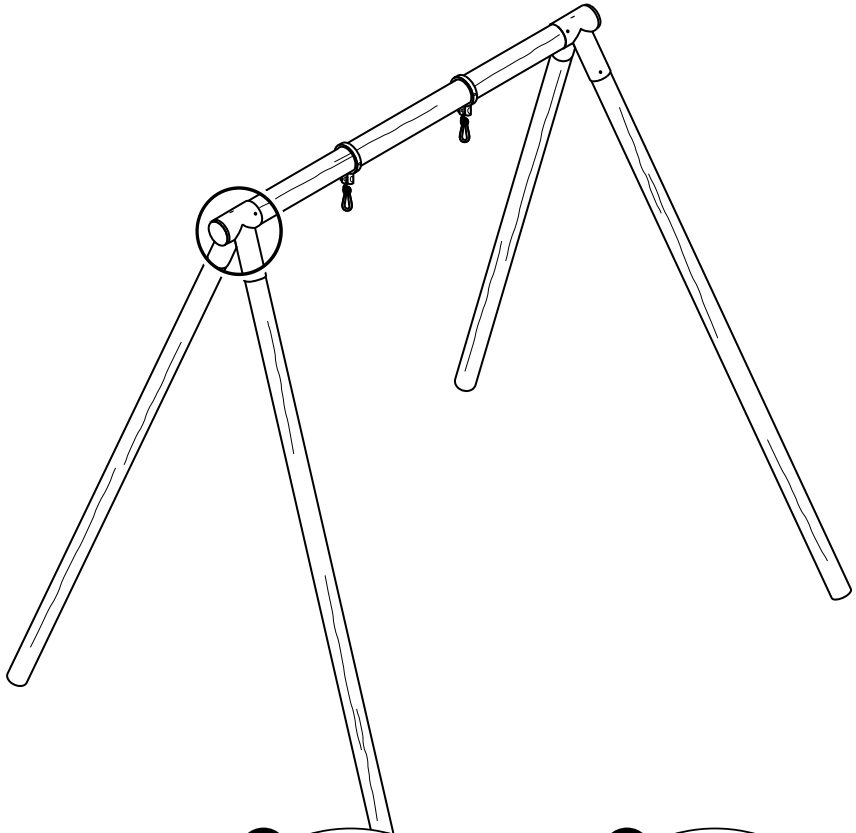
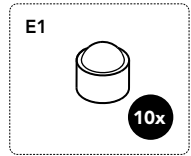


3,5 mm

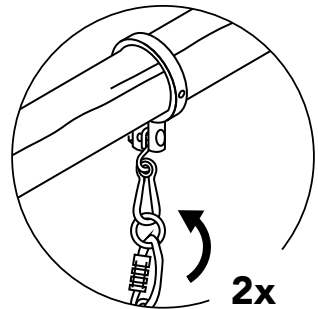
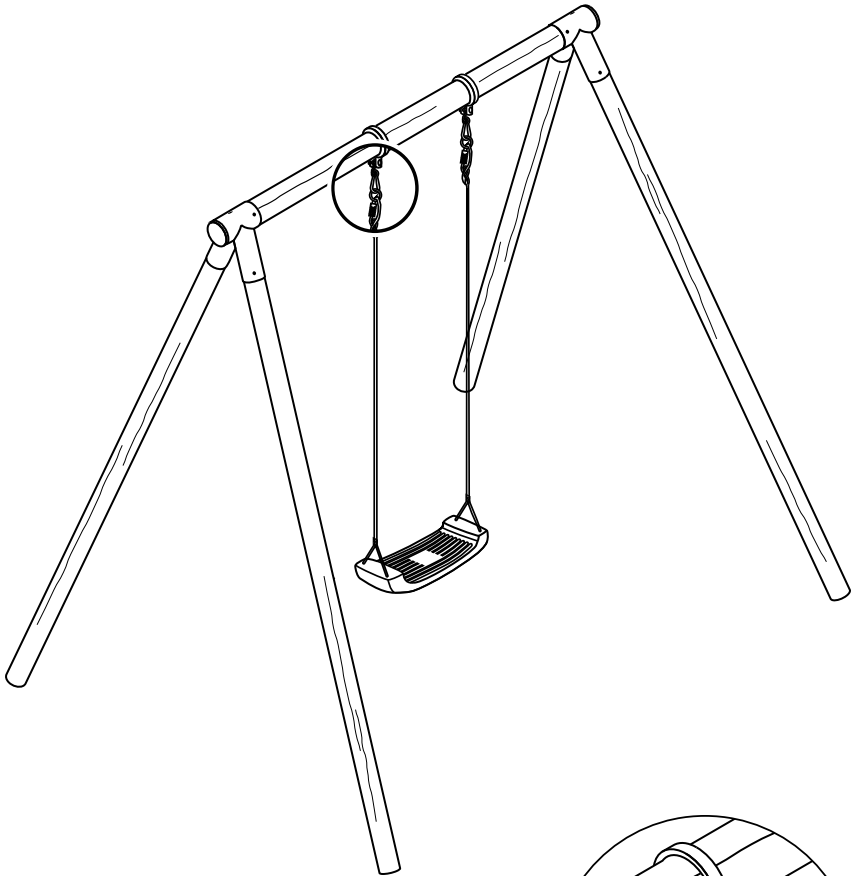
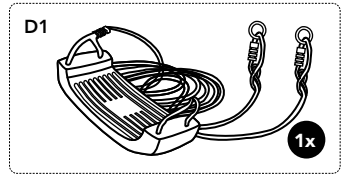


1 cm

6



7





Scan for terms
and conditions

+31(0)318 692 221
www.swingking.nl

Swing King IS A BRAND OF:

HAPRO INTERNATIONAL



8 717306 719063 >