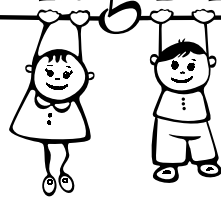


Bernedette

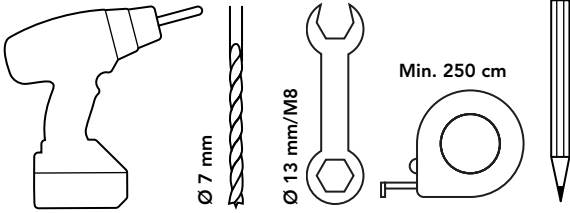
ART. NR. 5930001



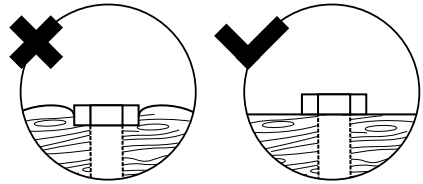
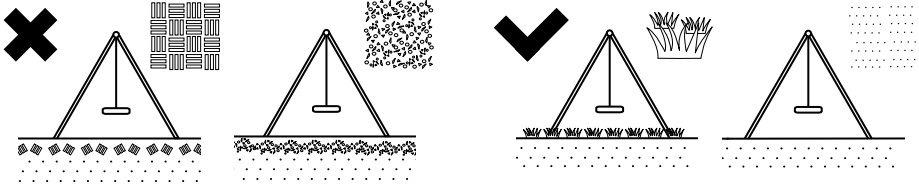
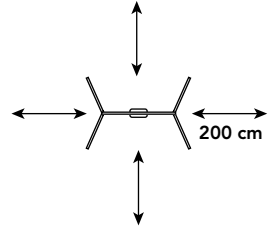
Swing King



Bernedette



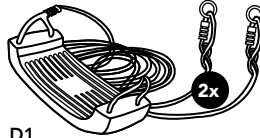
25 m²



A1



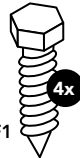
B1



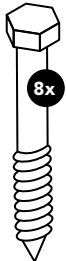
D1



E1



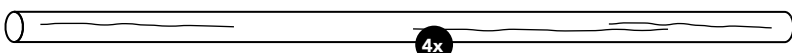
F1



F2

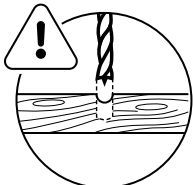
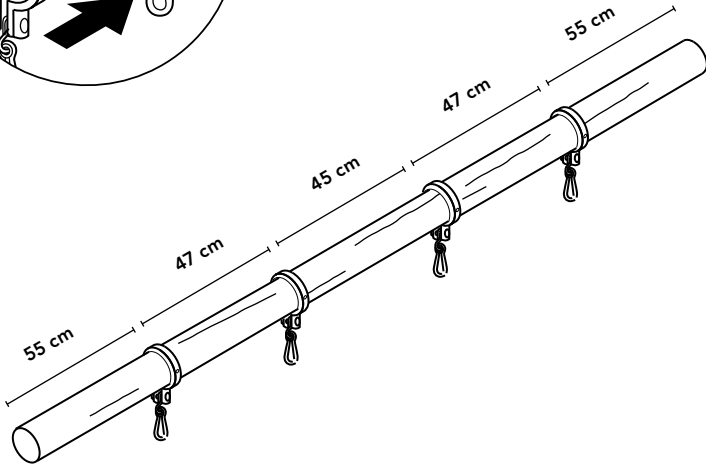
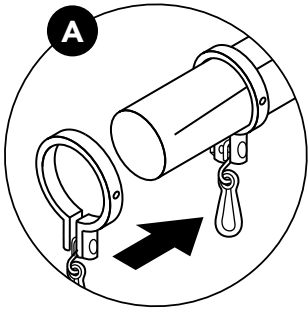
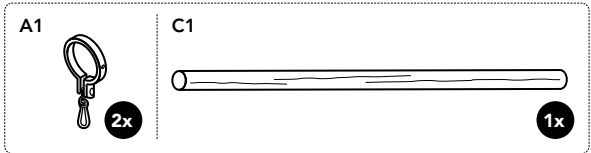


C1

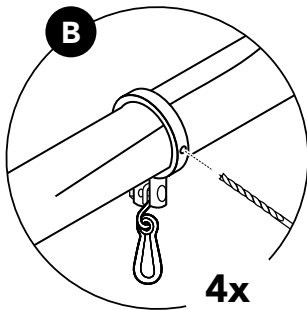


C2

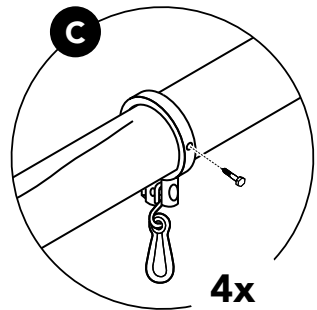
1



3,5 mm

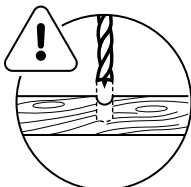
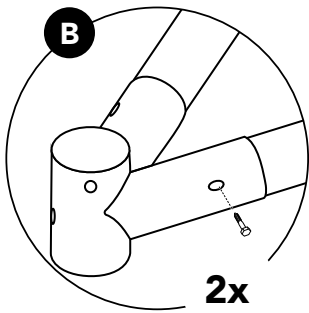
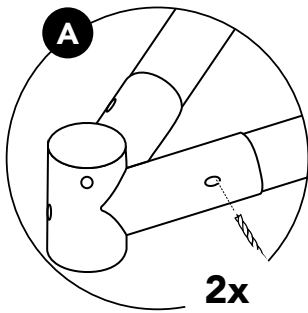
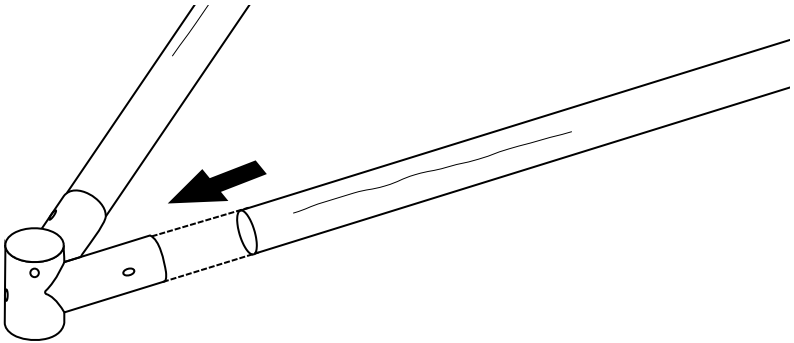
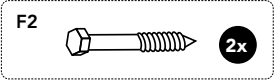
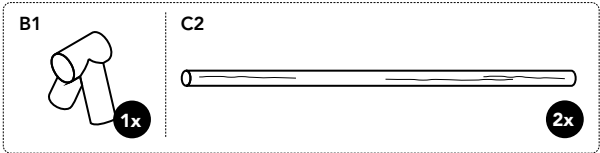


4x



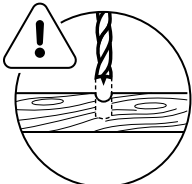
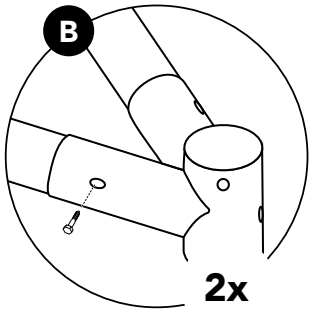
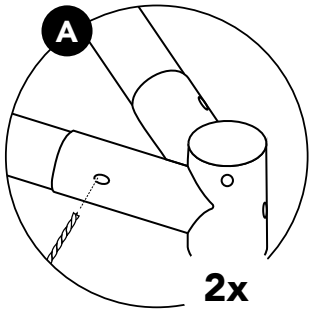
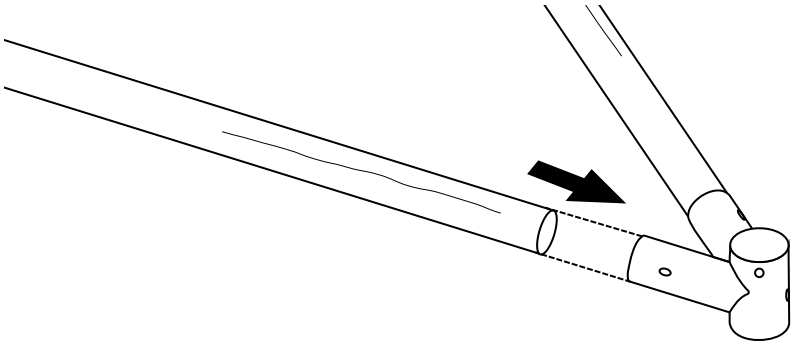
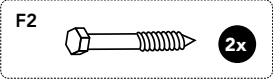
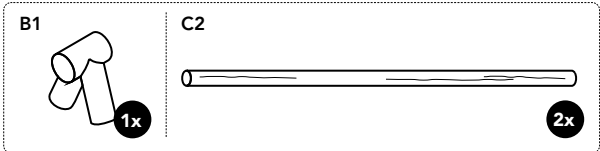
4x

2



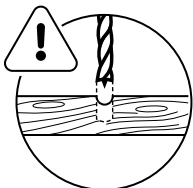
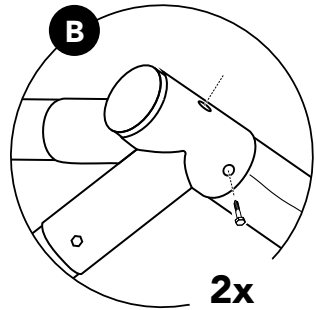
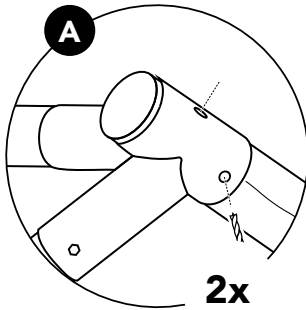
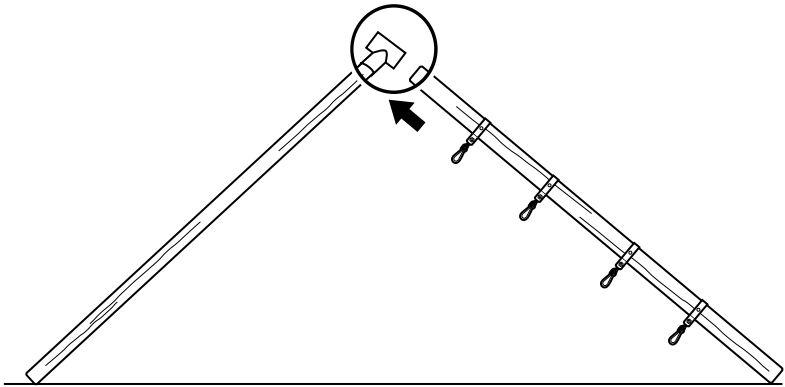
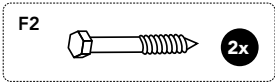
3,5 mm

3

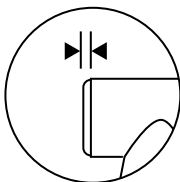


3,5 mm

4

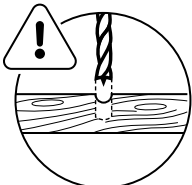
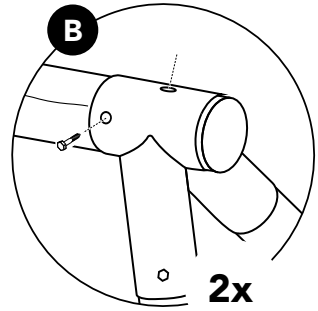
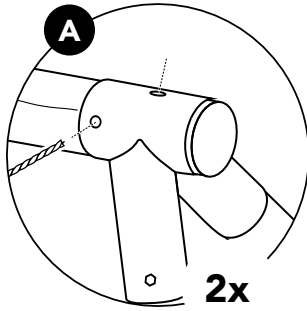
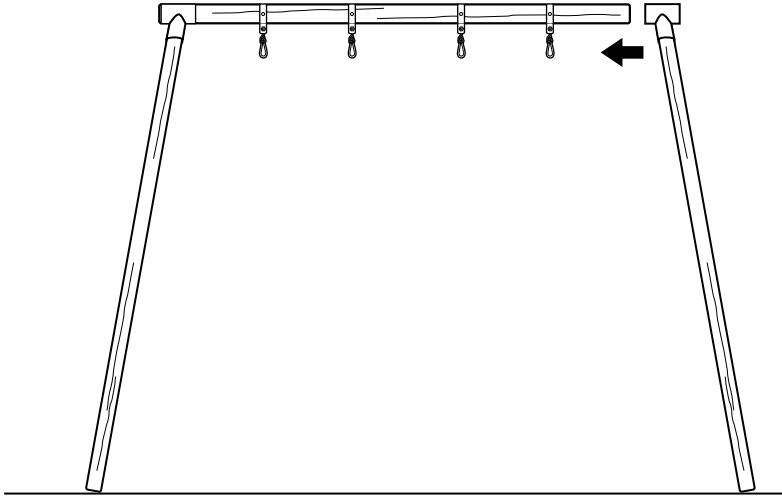
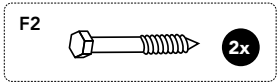


3,5 mm

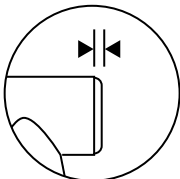


1 cm

5

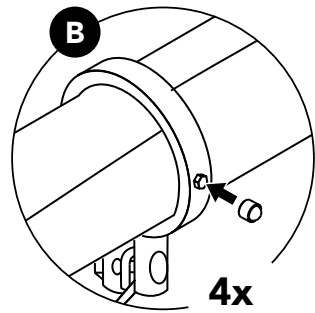
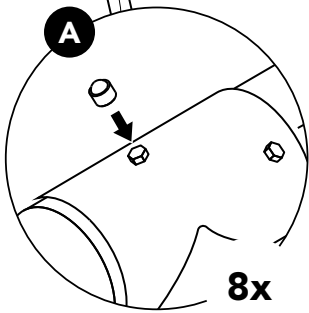
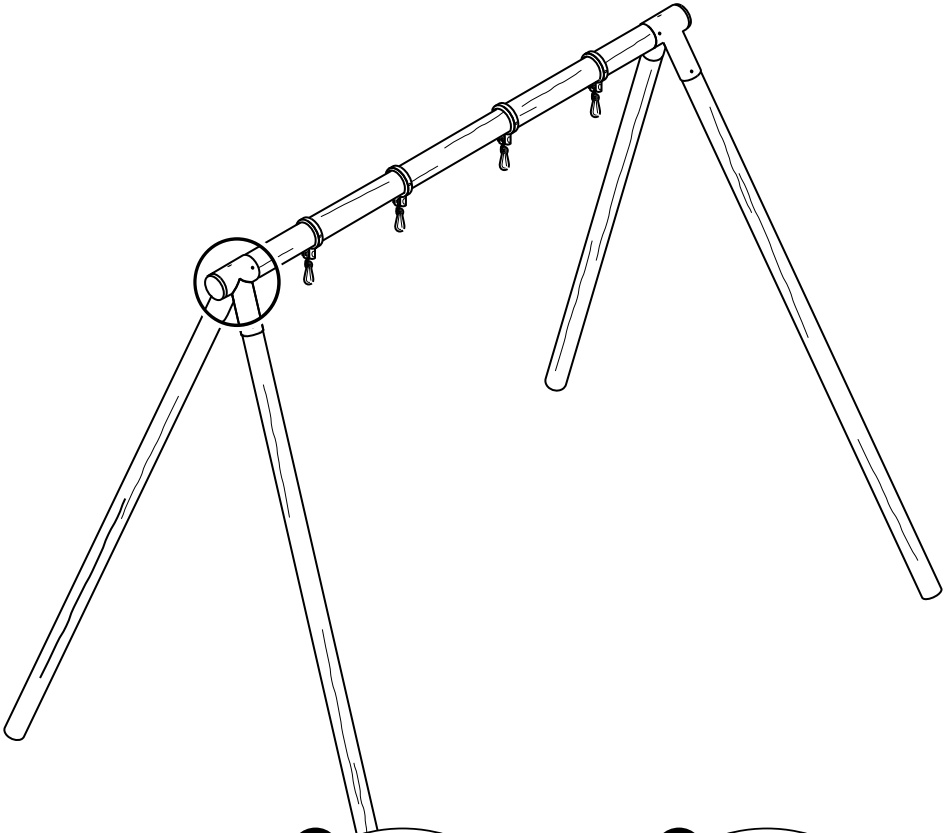
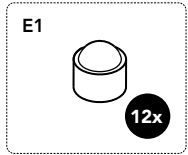


3,5 mm

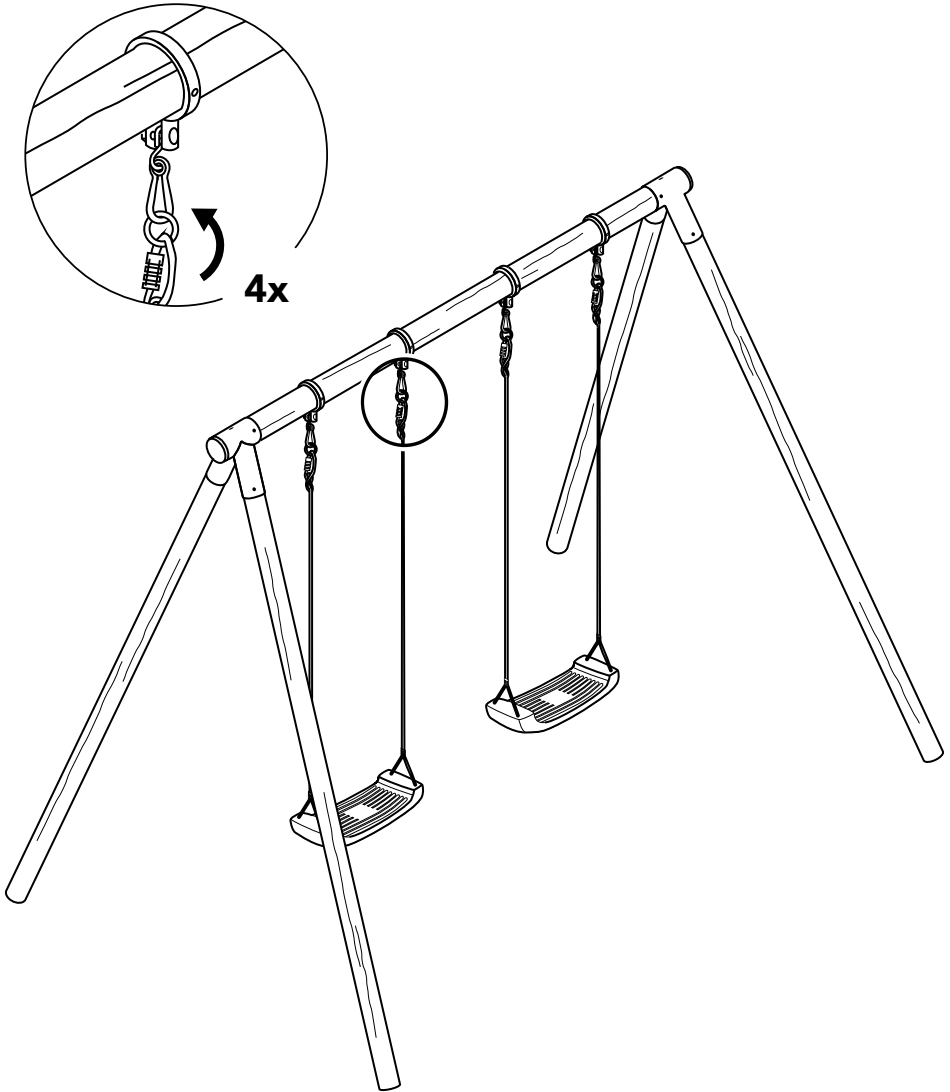
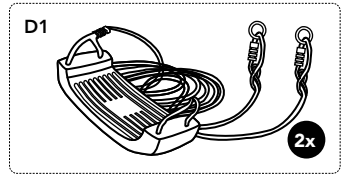


1 cm

6



7





Scan for terms
and conditions

+31(0)318 692 221
www.swingking.nl

Swing King IS A BRAND OF:

HAPRO INTERNATIONAL

