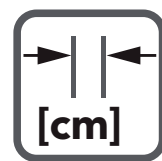




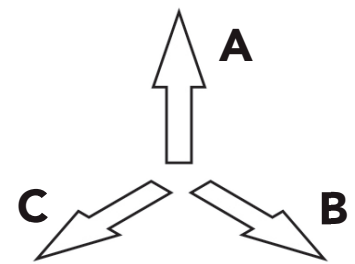
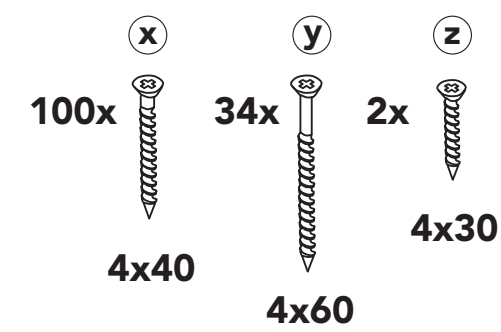
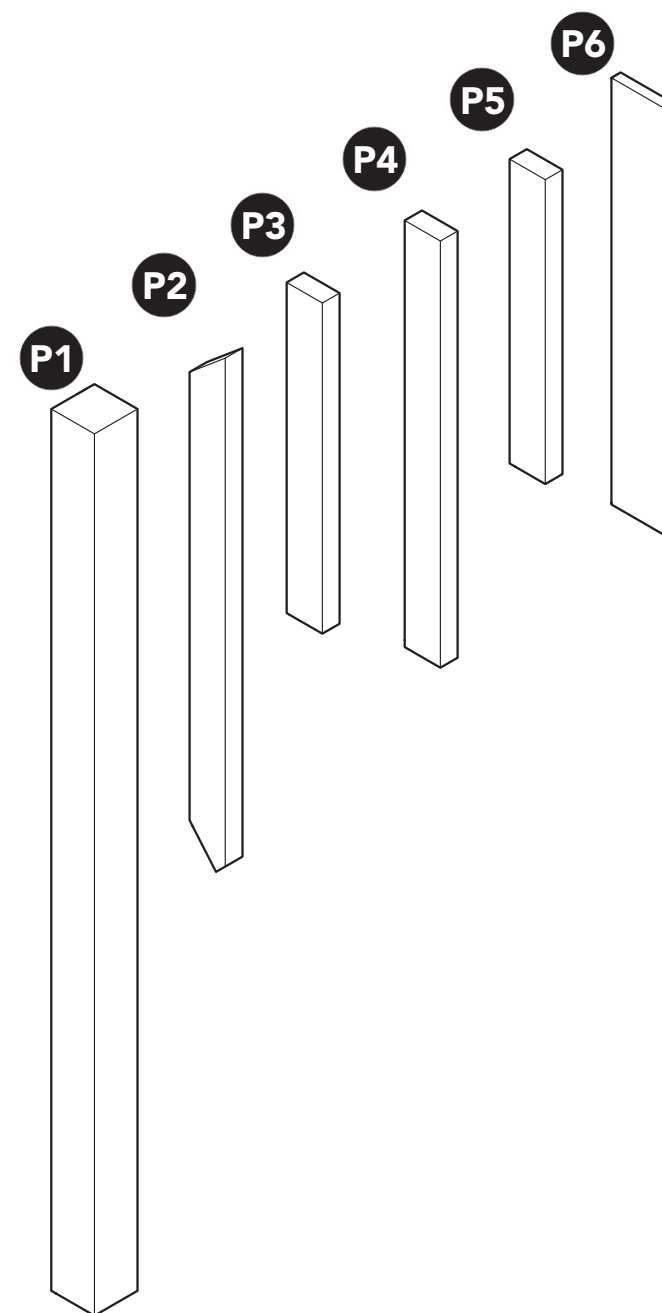
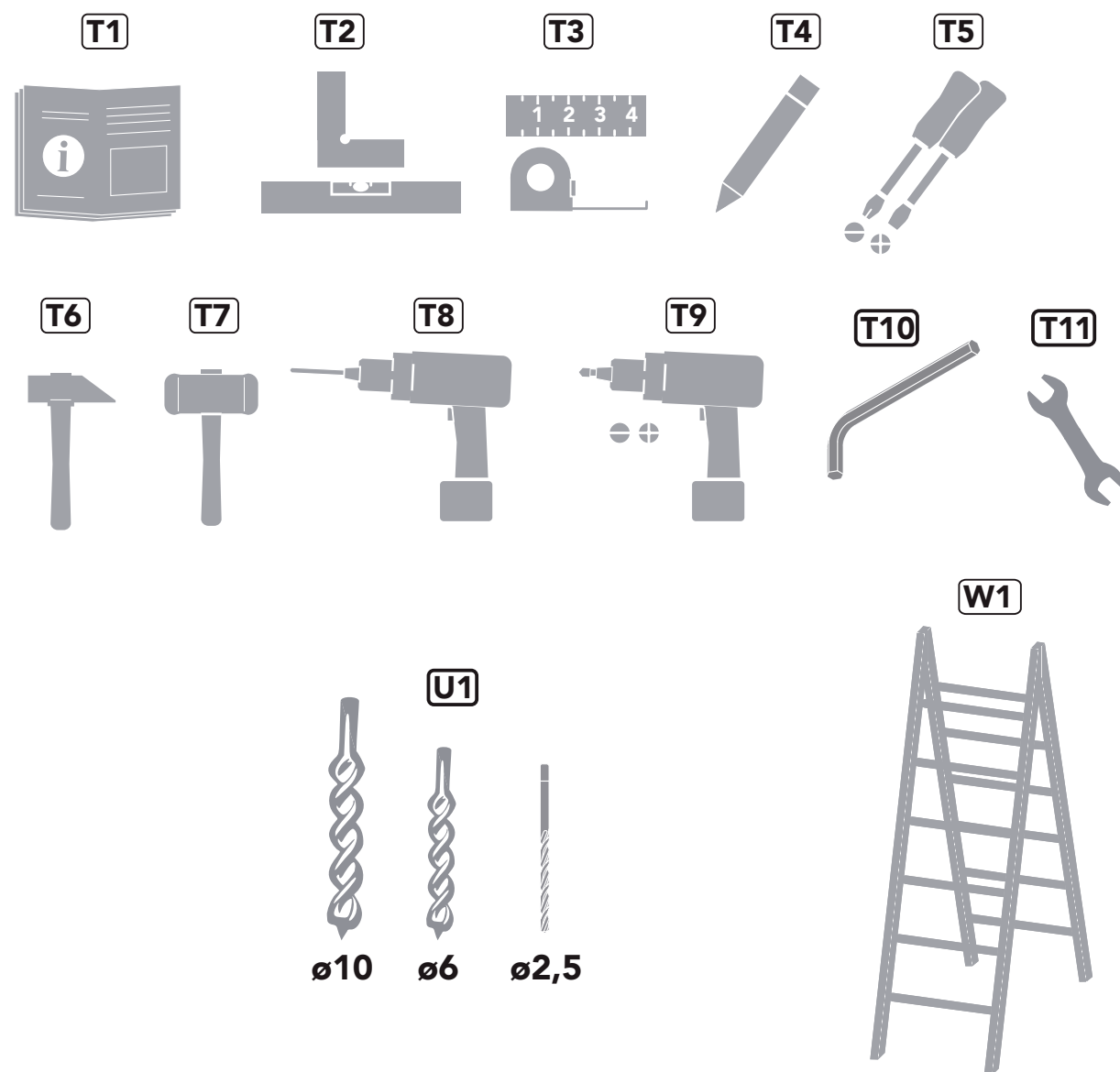
Irma

ART. NR. xxx

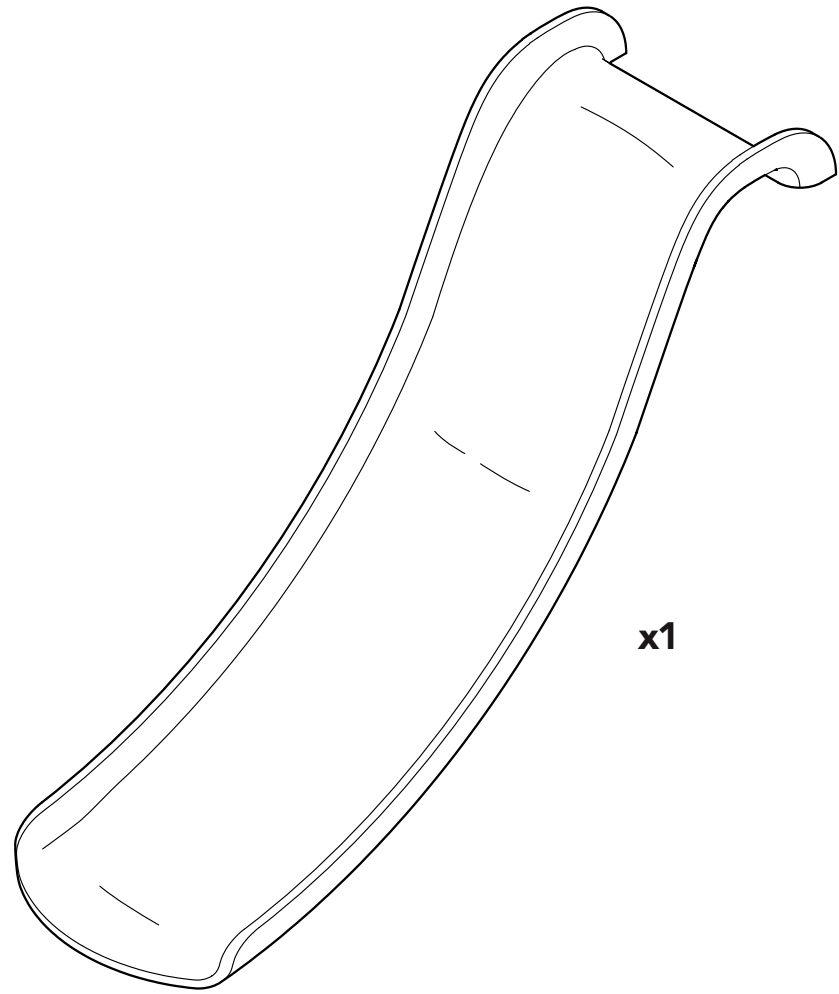
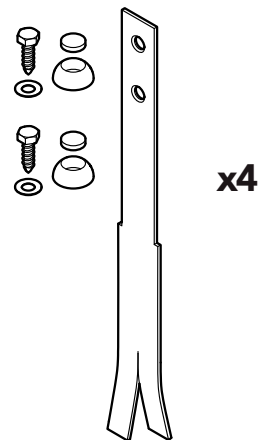
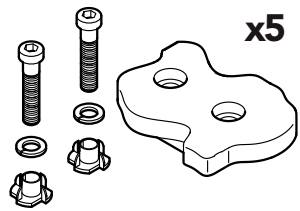
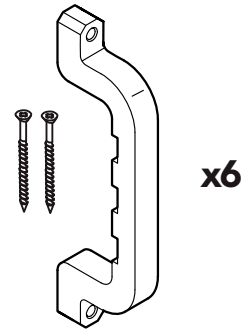




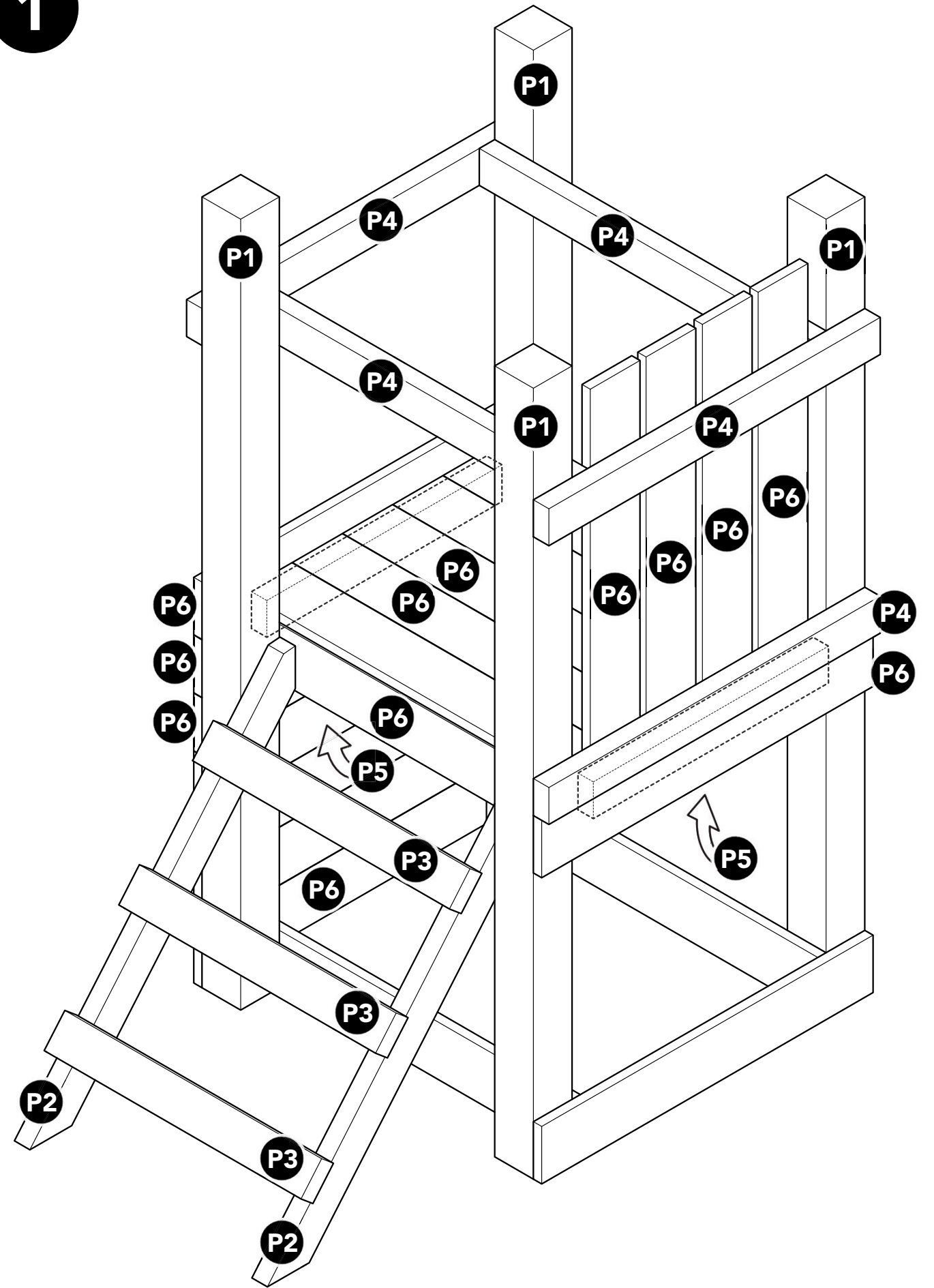
P1	70	70	1200	4
P2	28	58	730	2
P3	28	58	465	3
P4	28	58	600	5
P5	28	58	428	2
P6	15	90	600	22
x	4x40			100
y	4 x 60			34
z	4x30			2



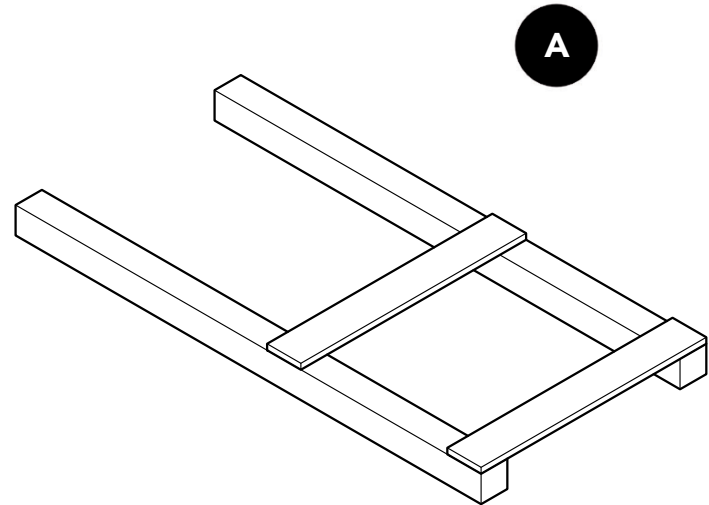
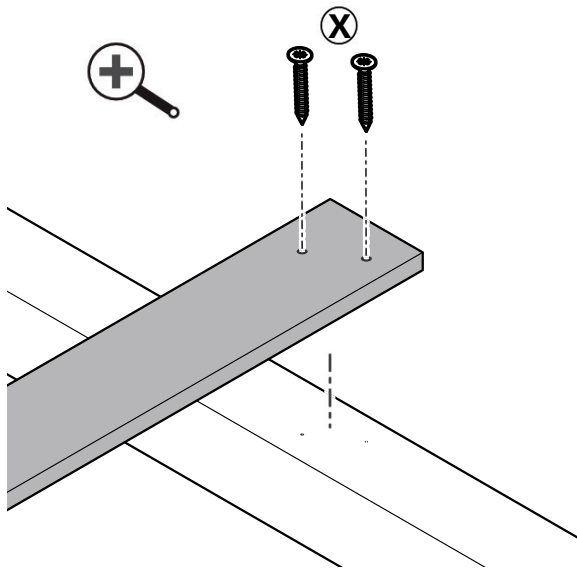
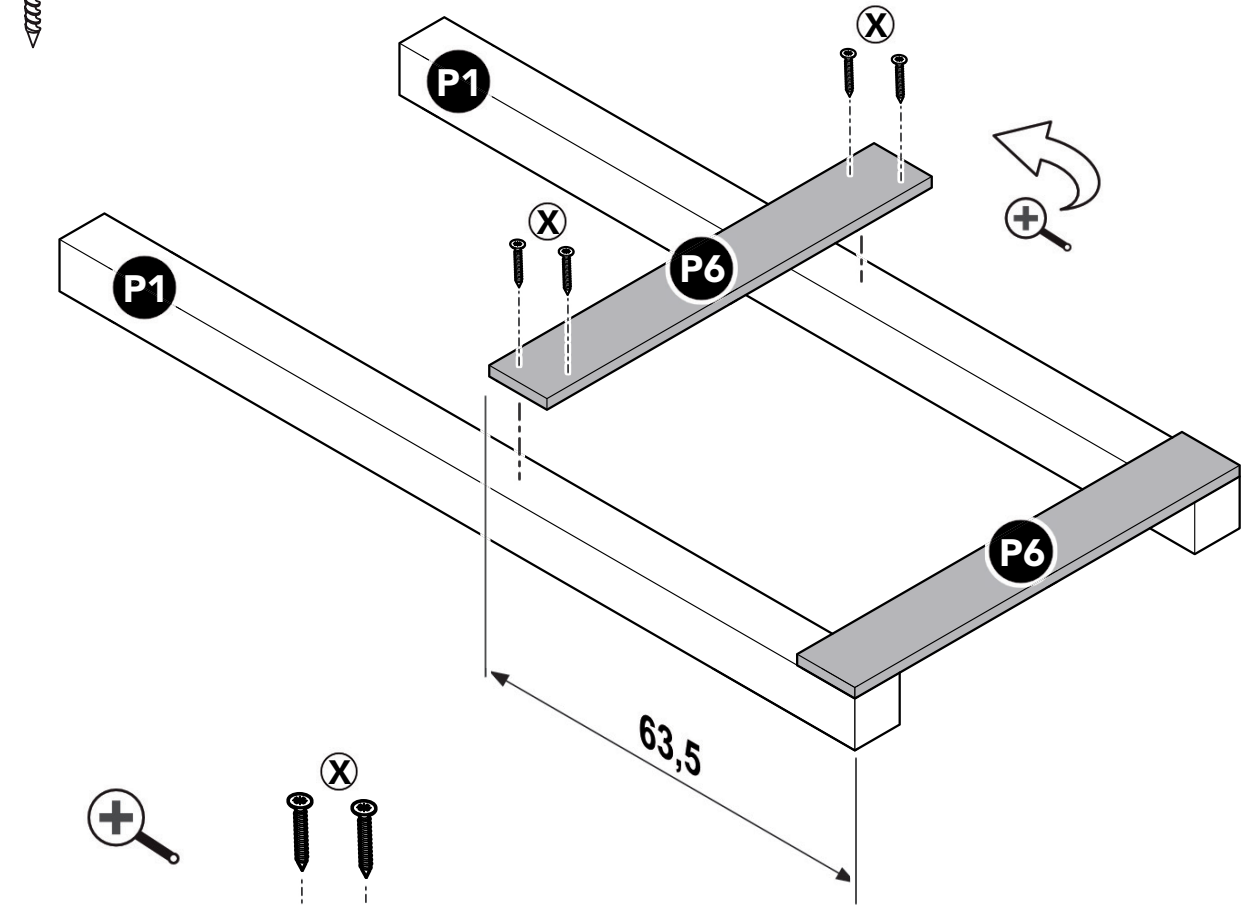
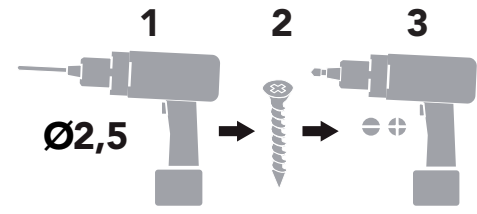
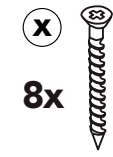
A= 124 cm
 B= 65 cm
 C= 180 cm



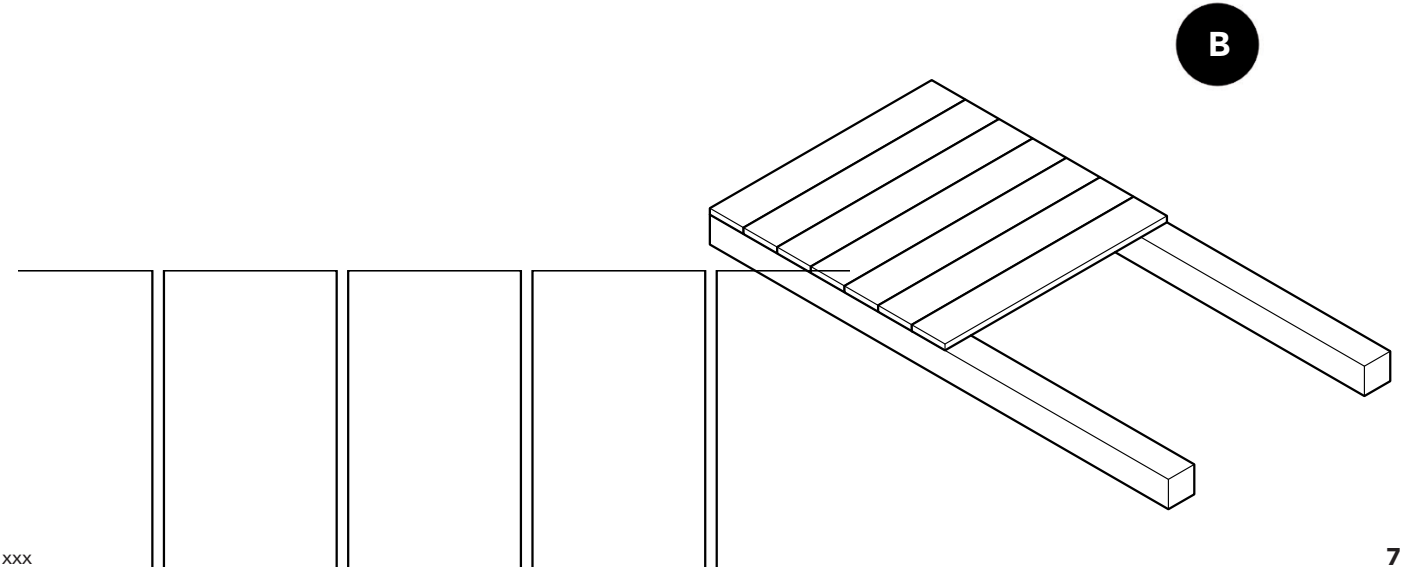
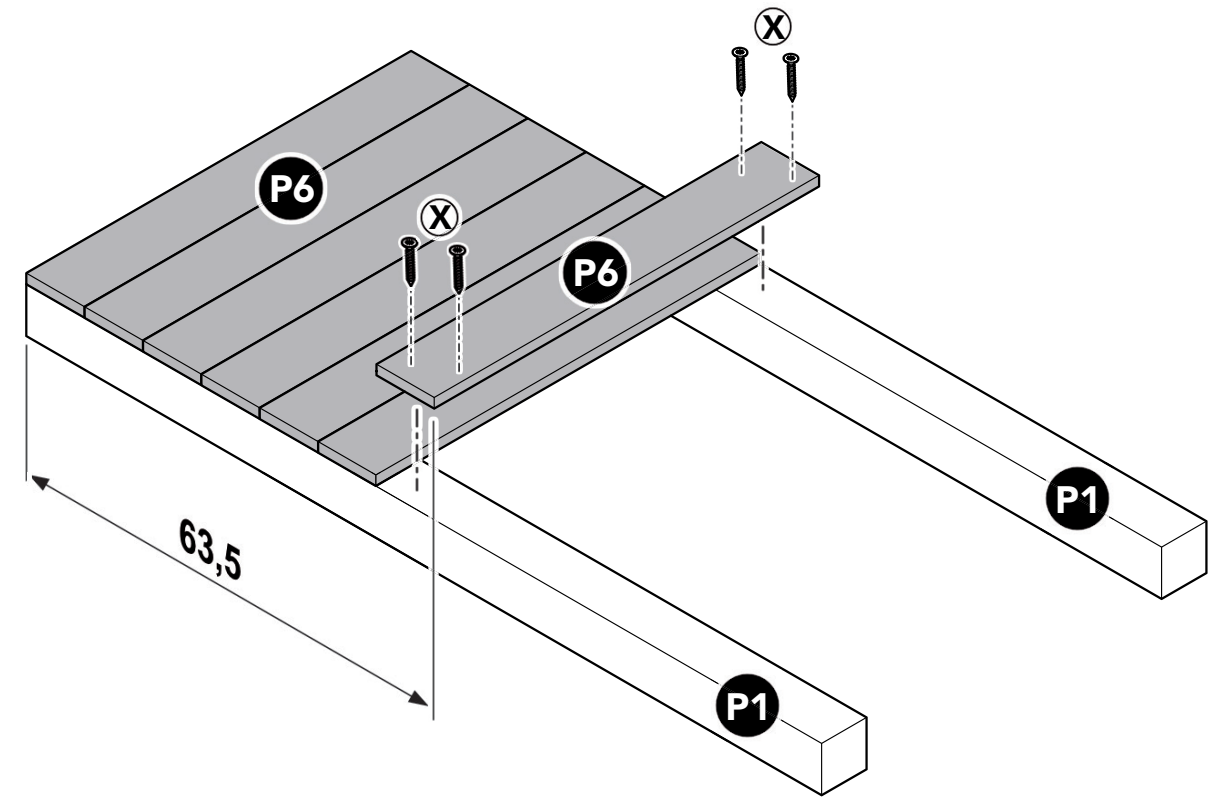
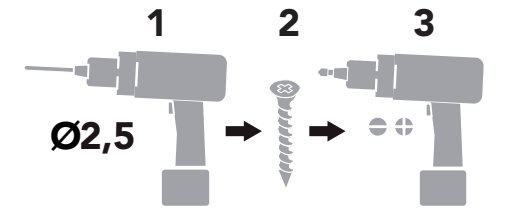
1



1 A

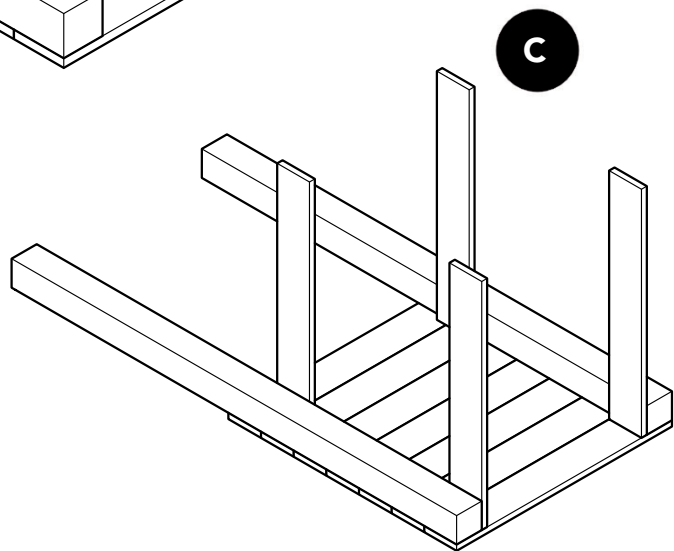
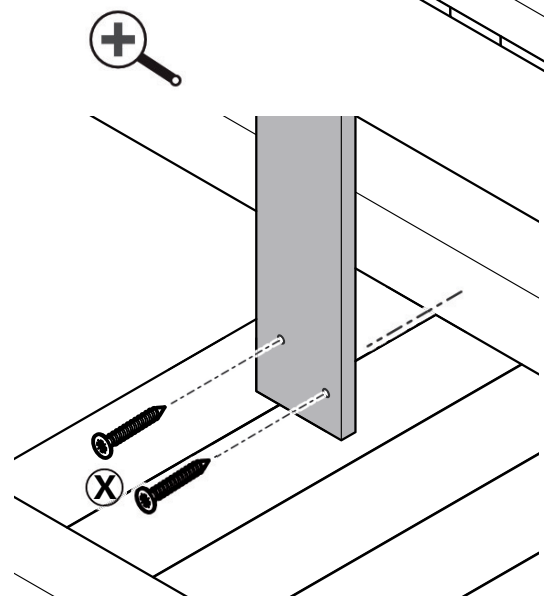
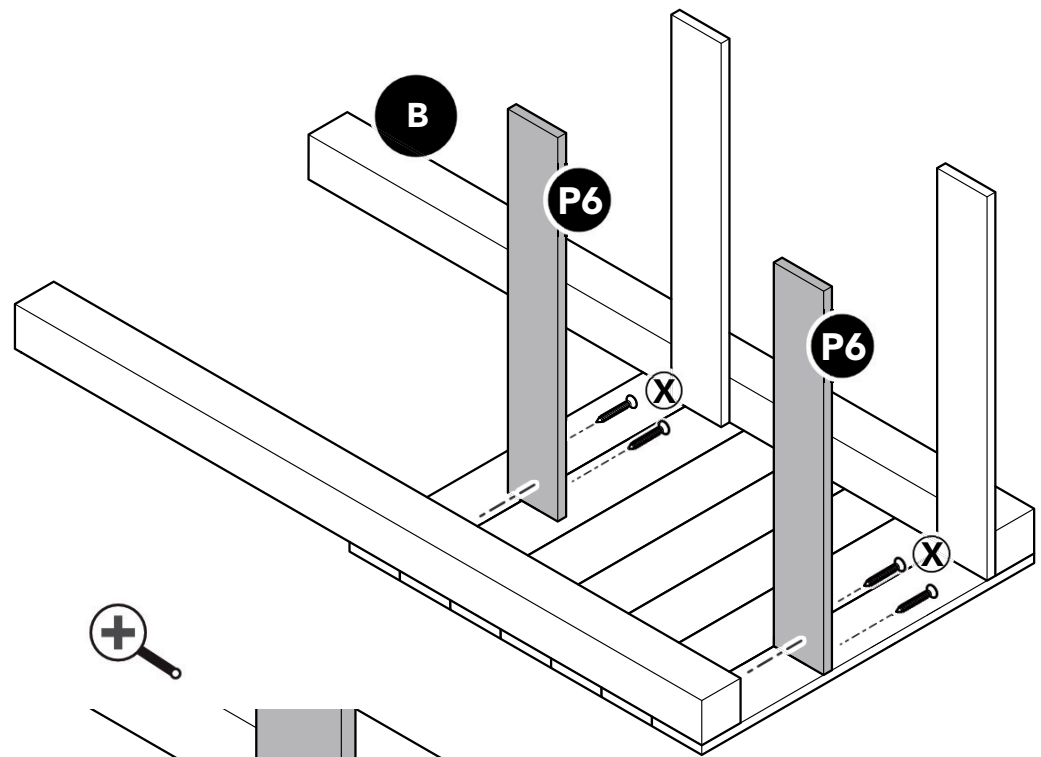
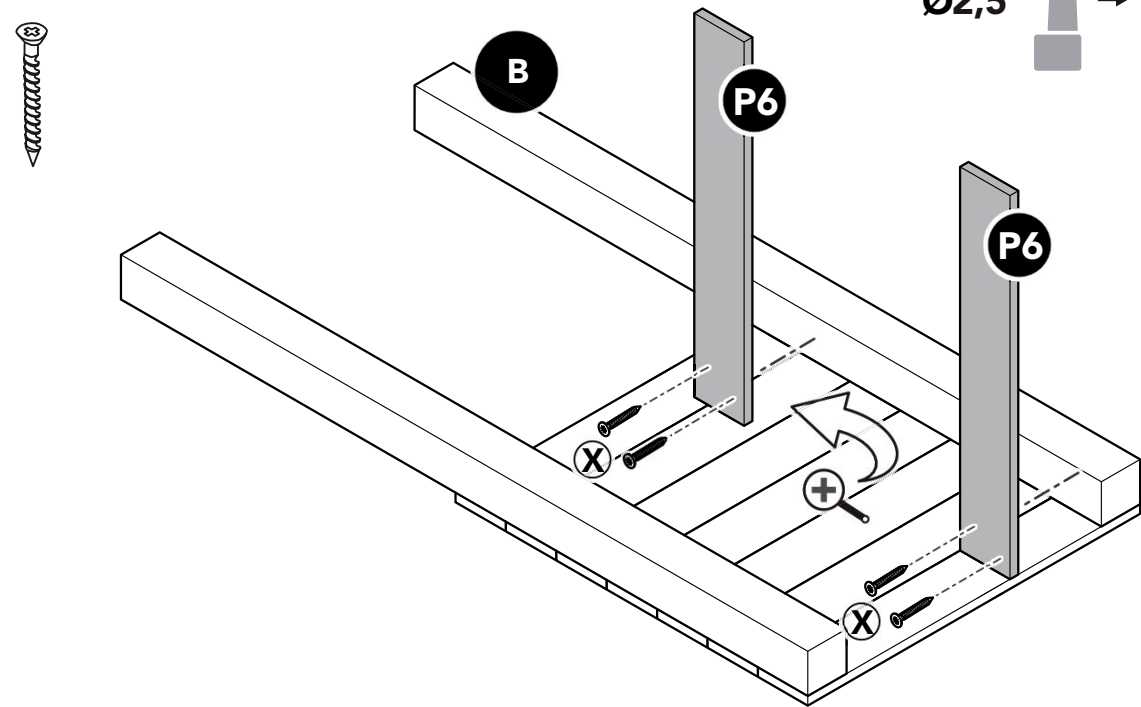
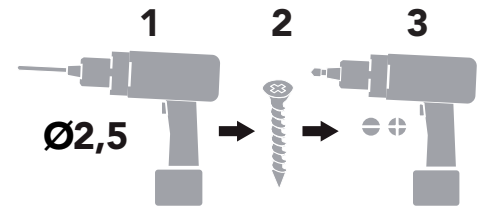


1 B



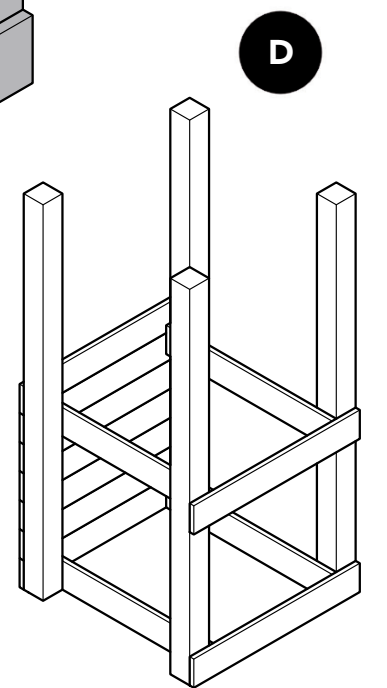
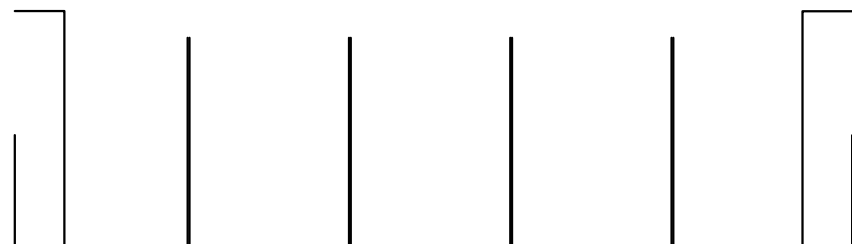
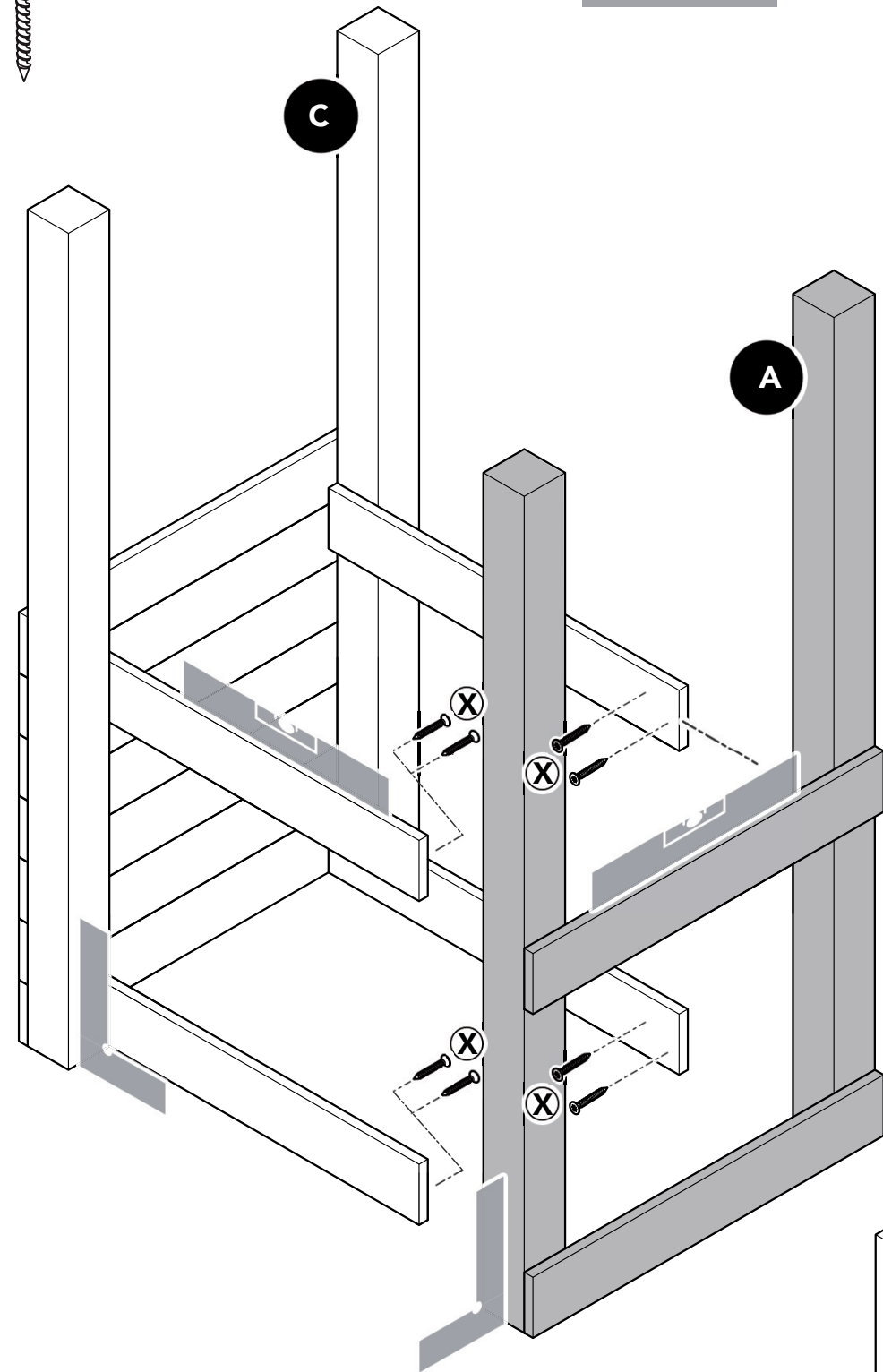
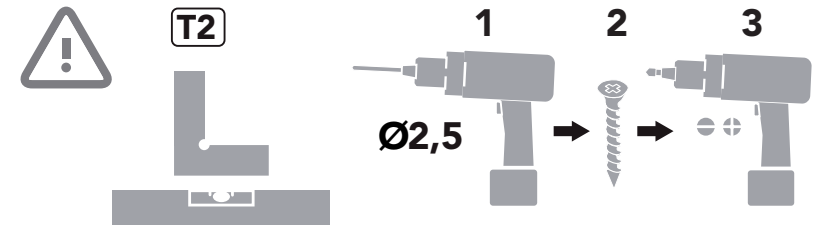
1 C

x
8x

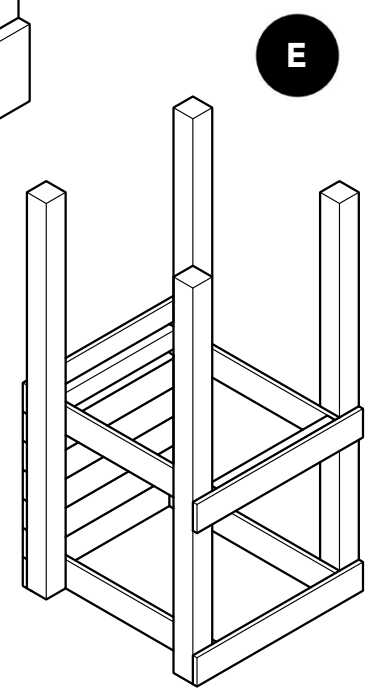
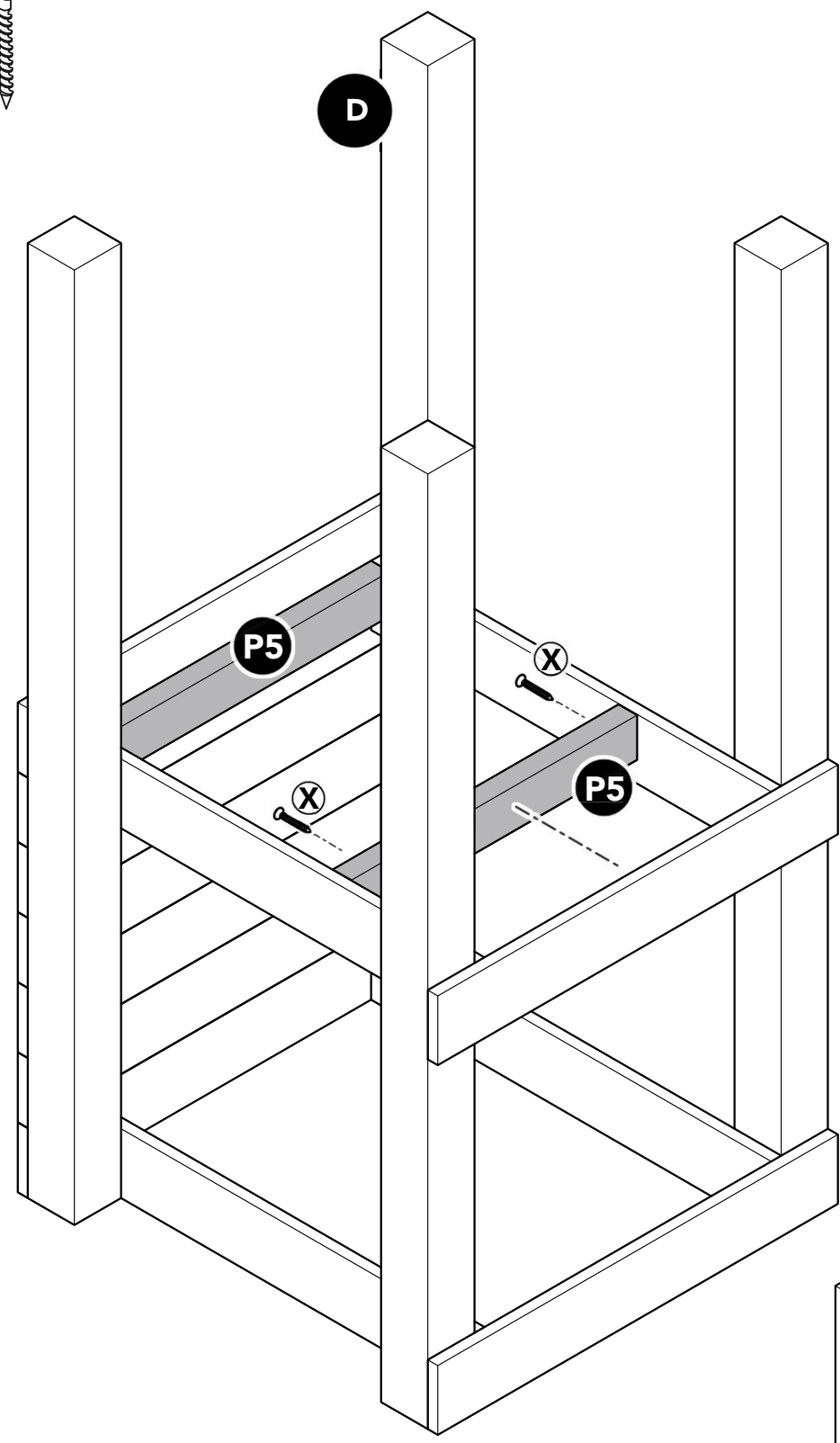
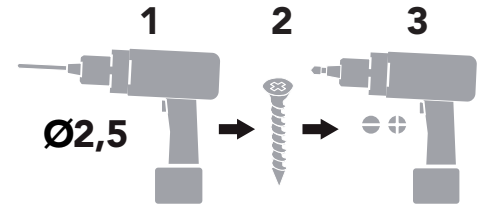
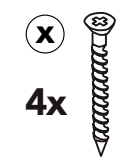


1 D

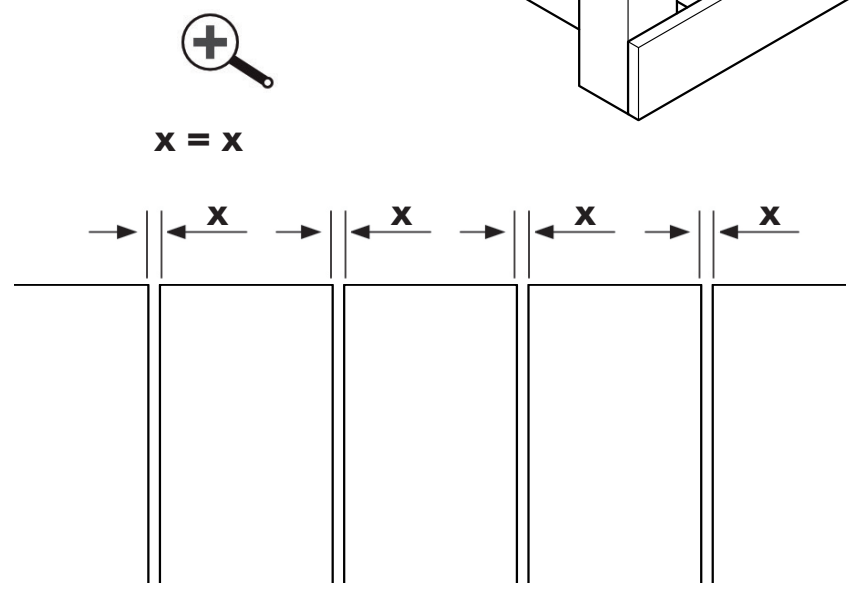
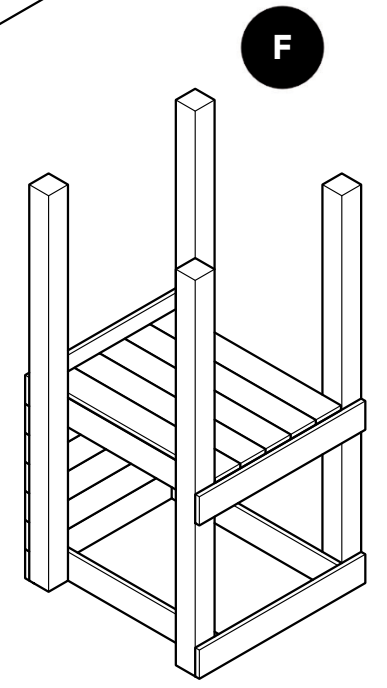
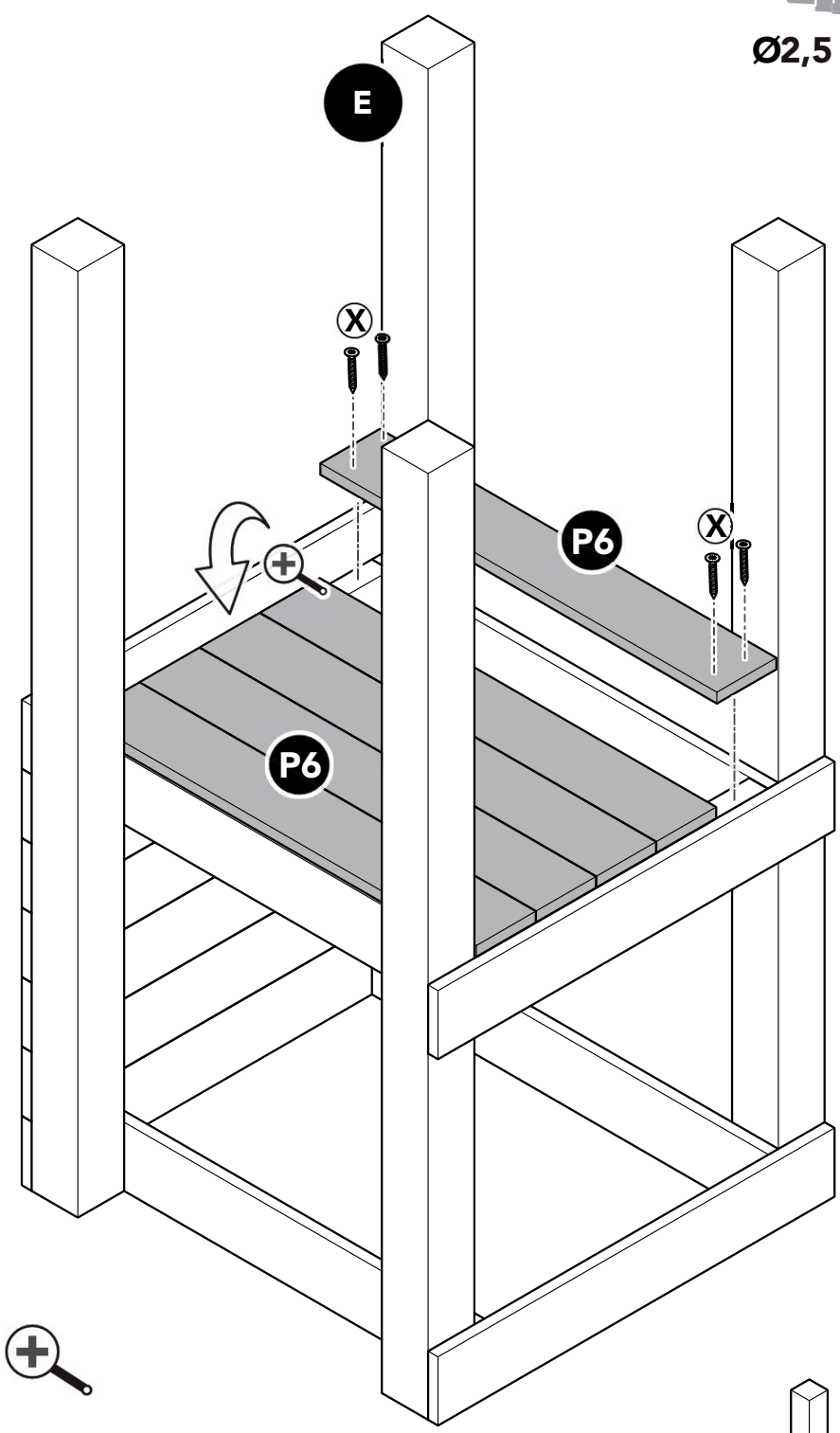
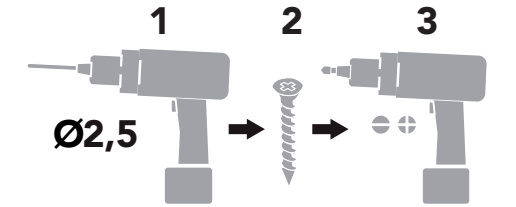
x
8x



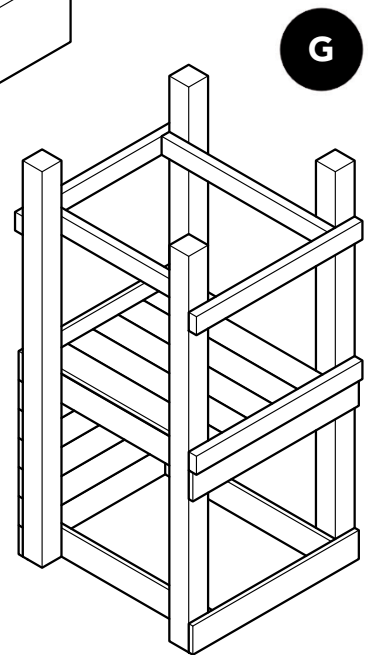
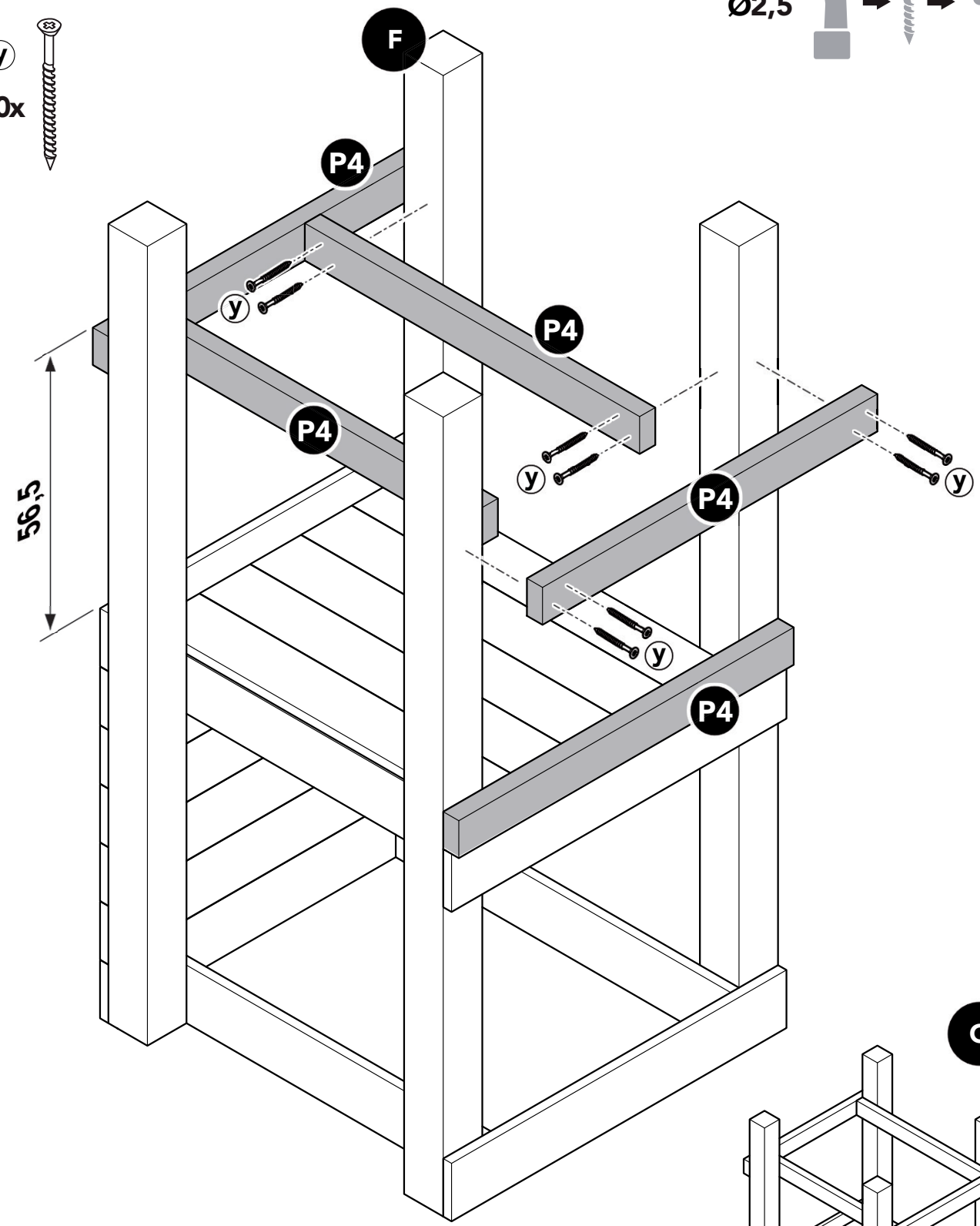
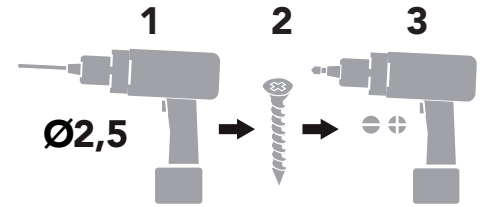
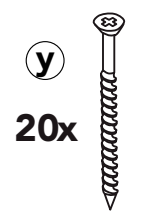
1 E



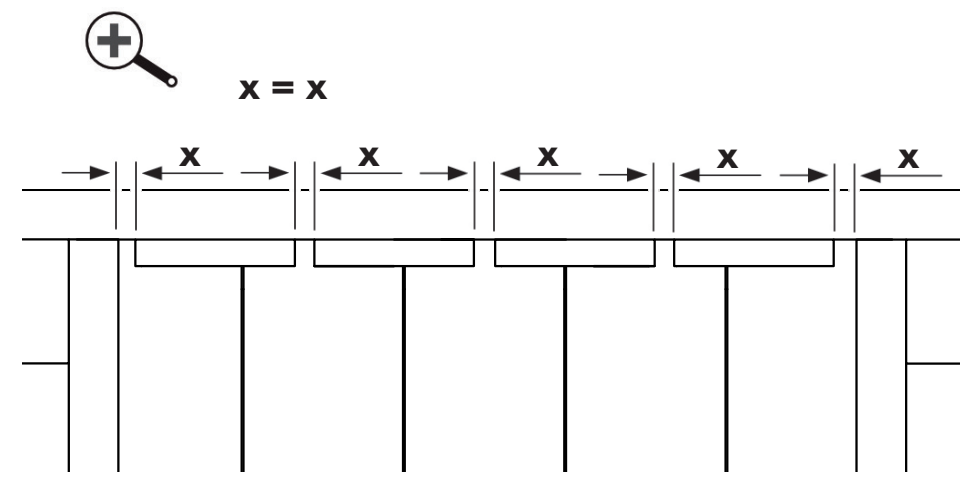
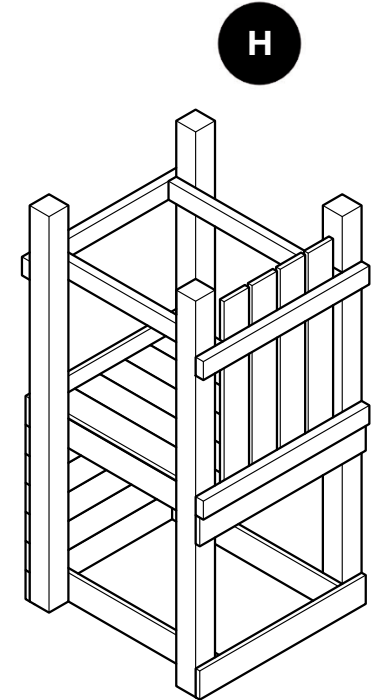
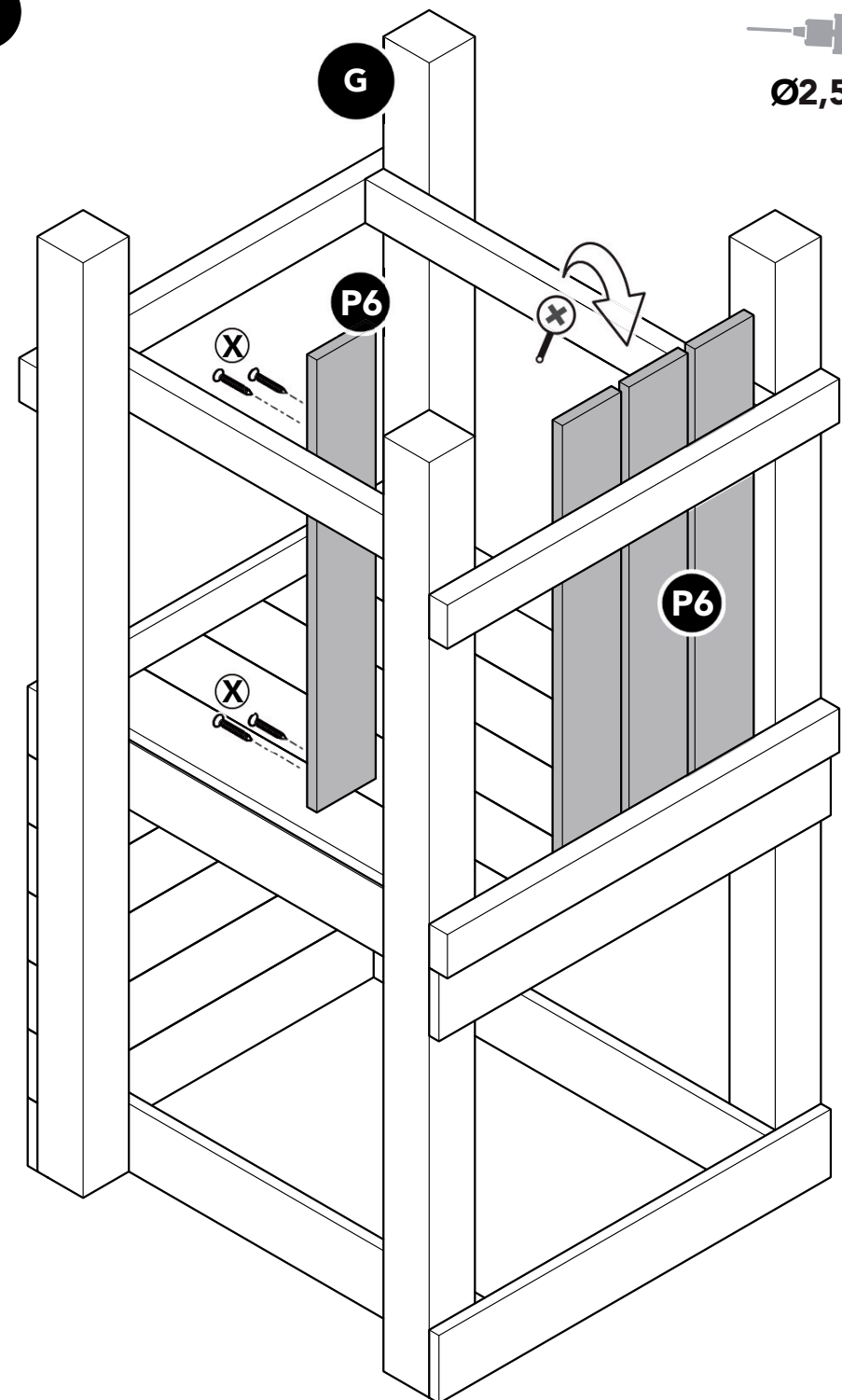
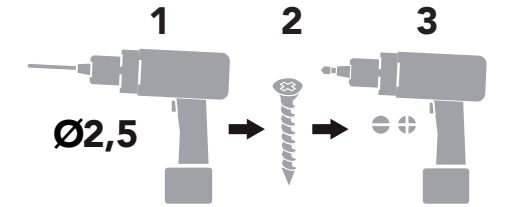
1 F



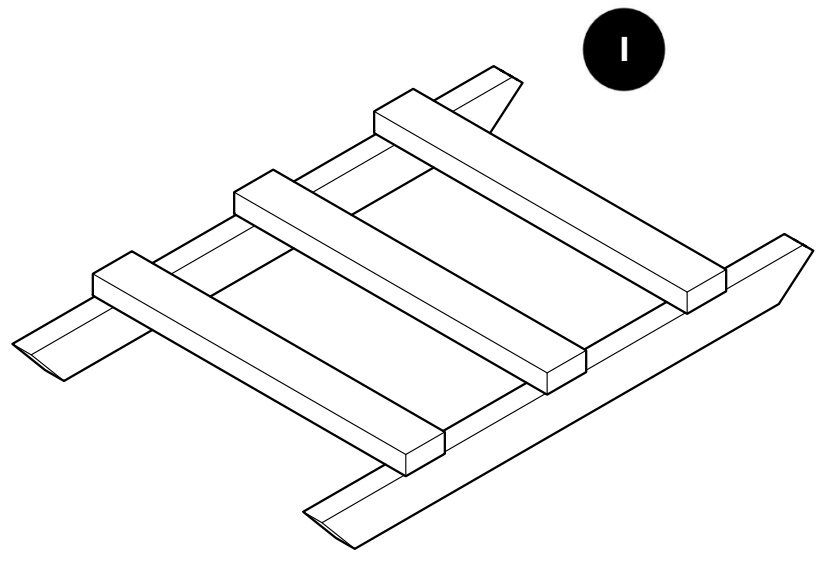
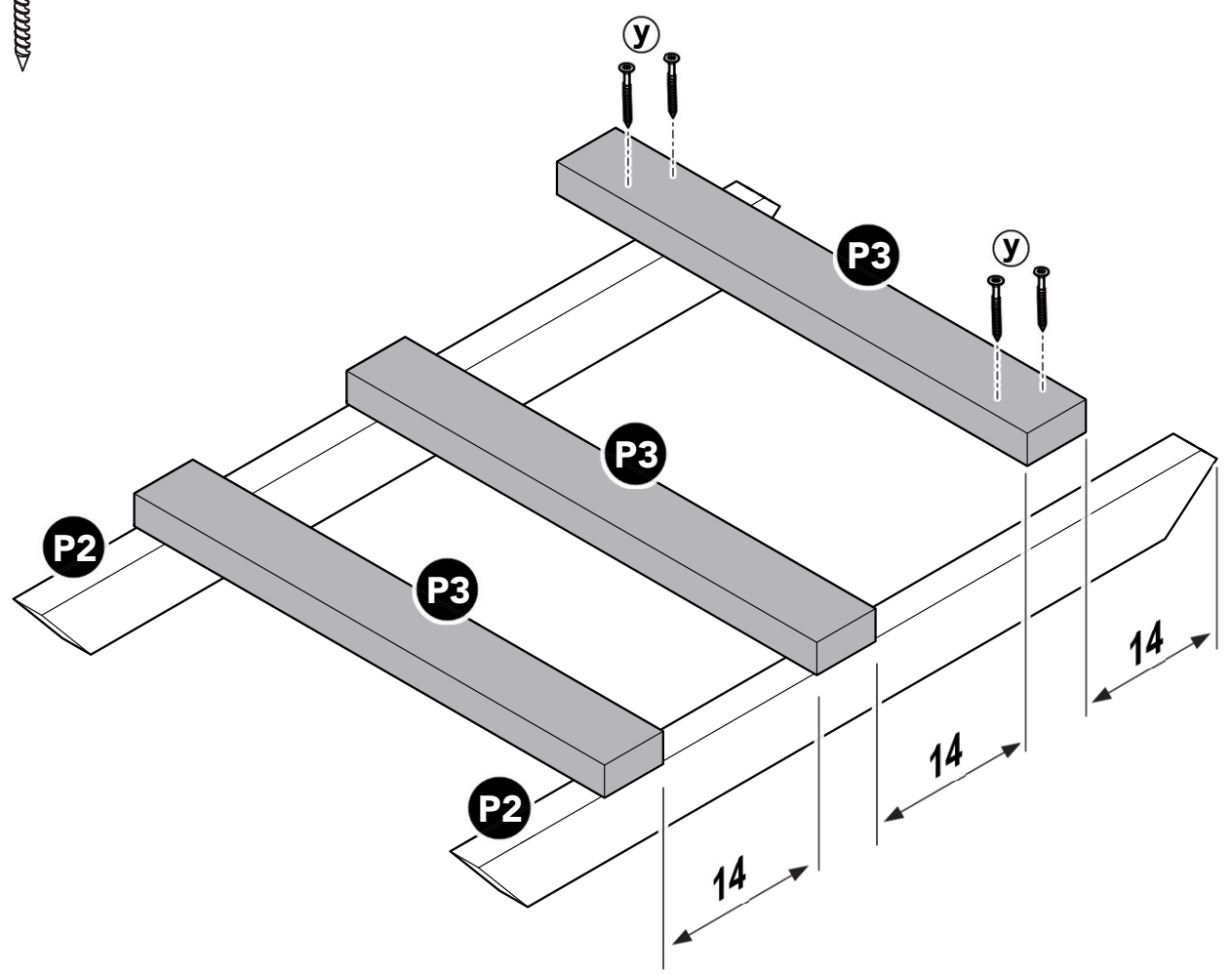
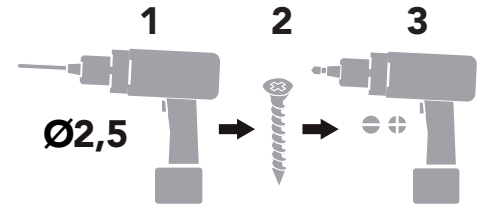
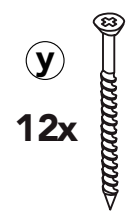
1 G



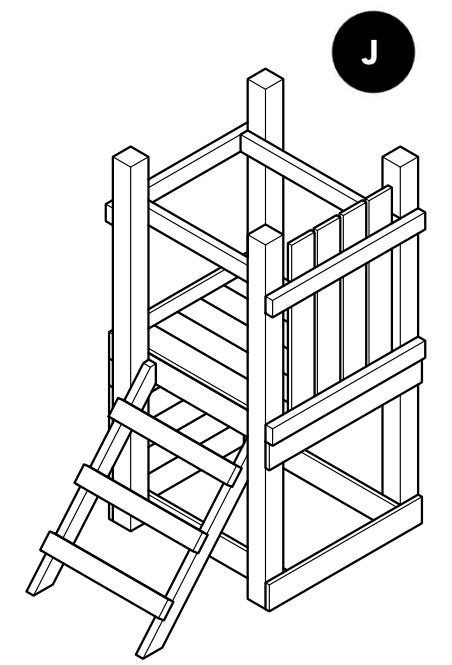
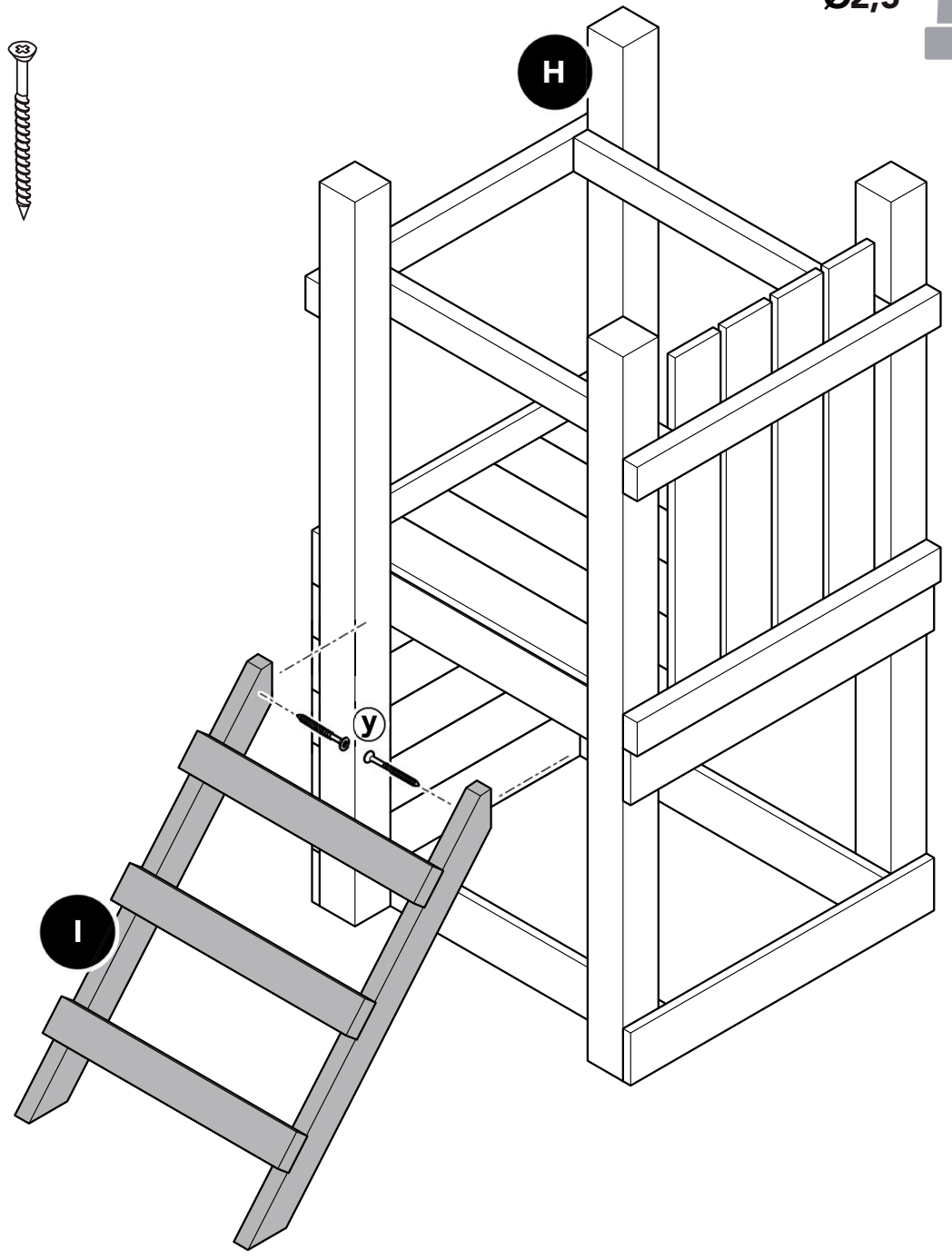
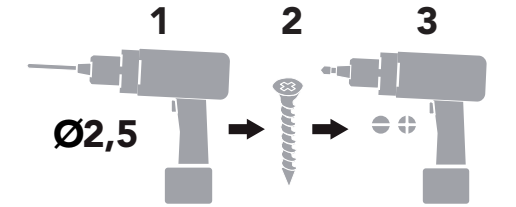
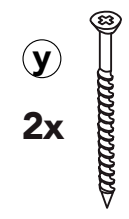
1 H



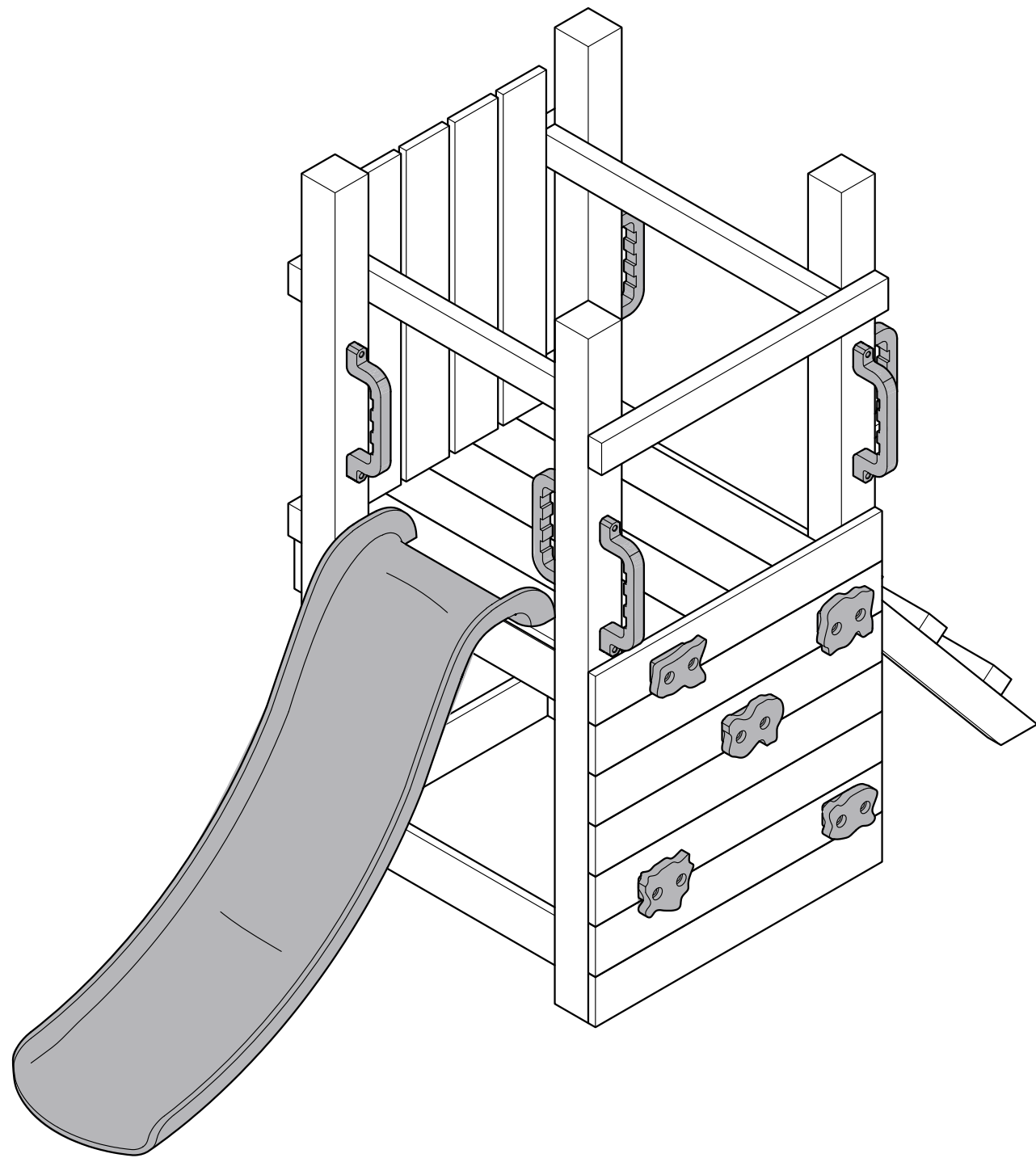
1 I



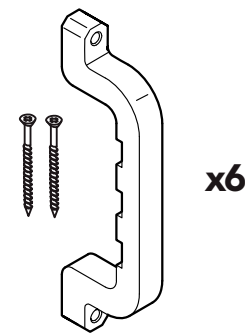
1 J



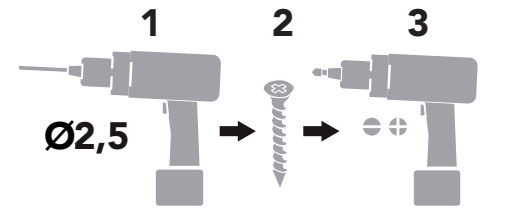
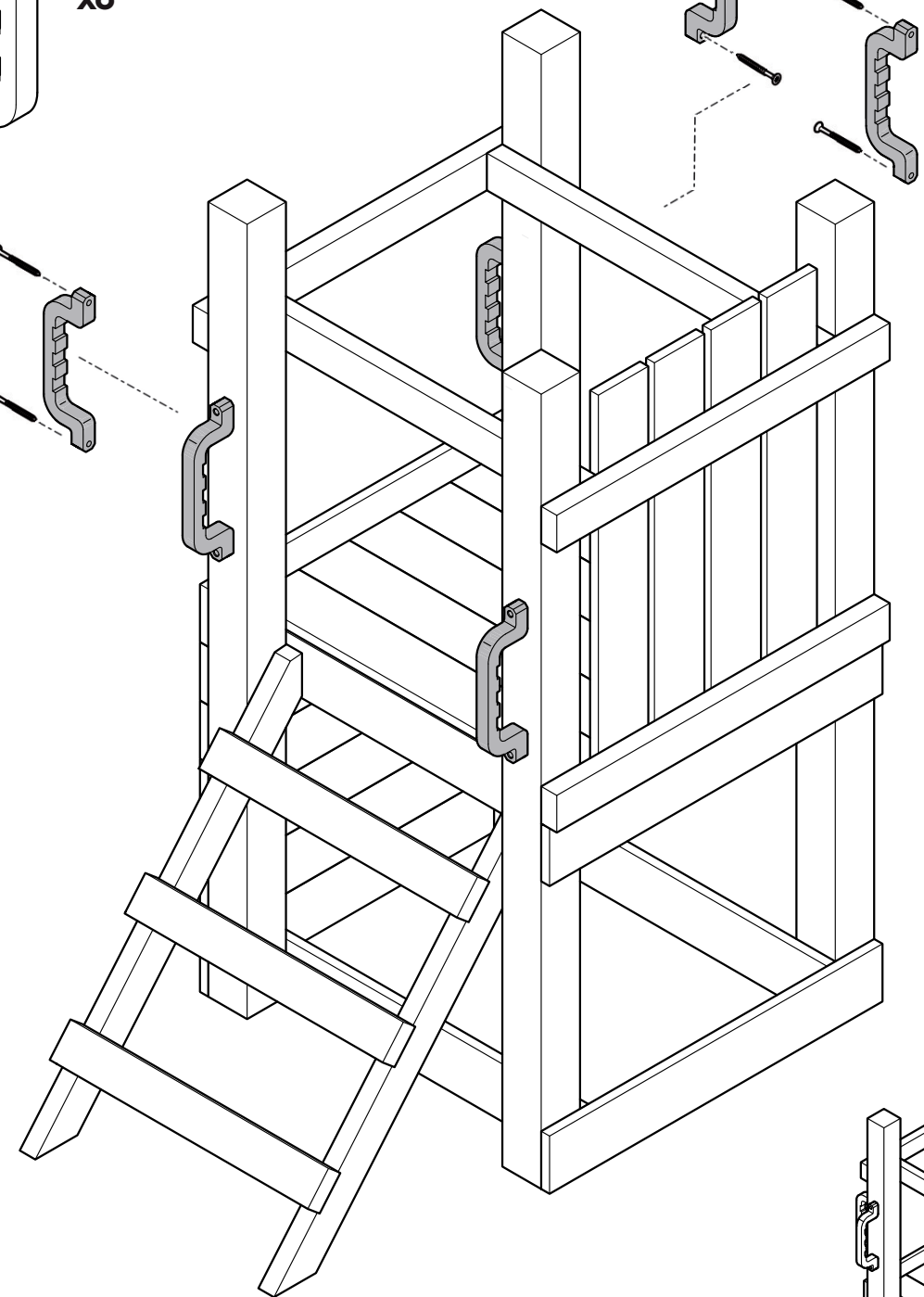
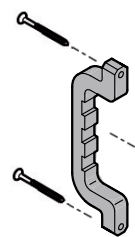
2



2 A

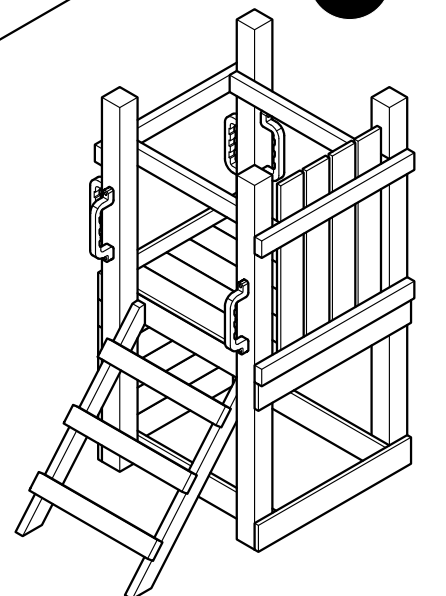


x6

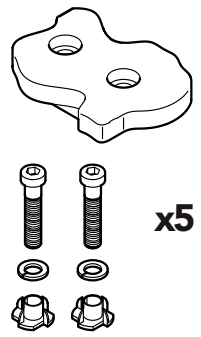


Ø2,5

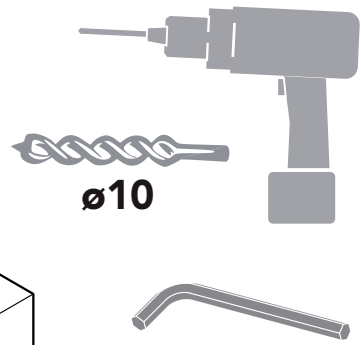
A



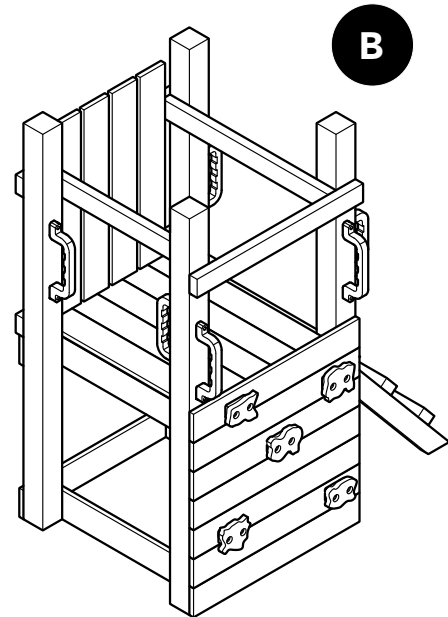
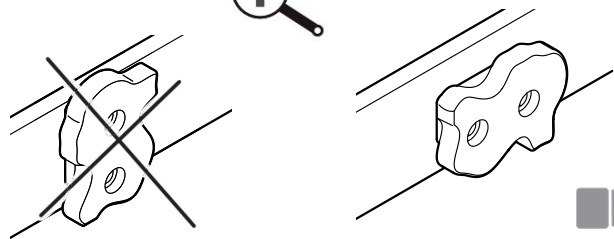
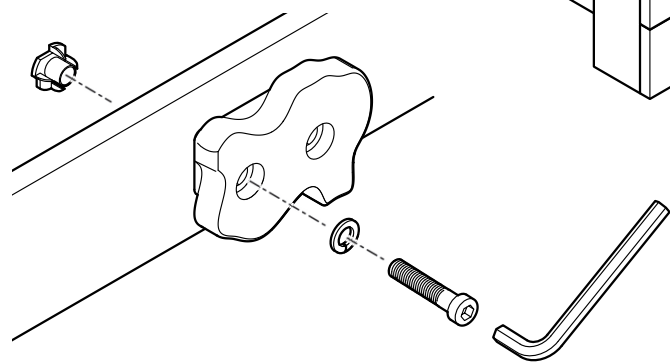
2 B



x5



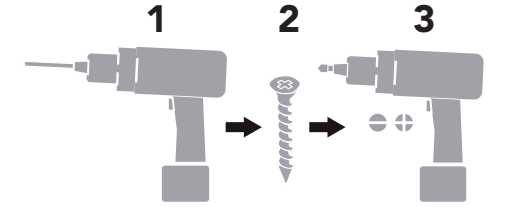
ø10



B

2 C

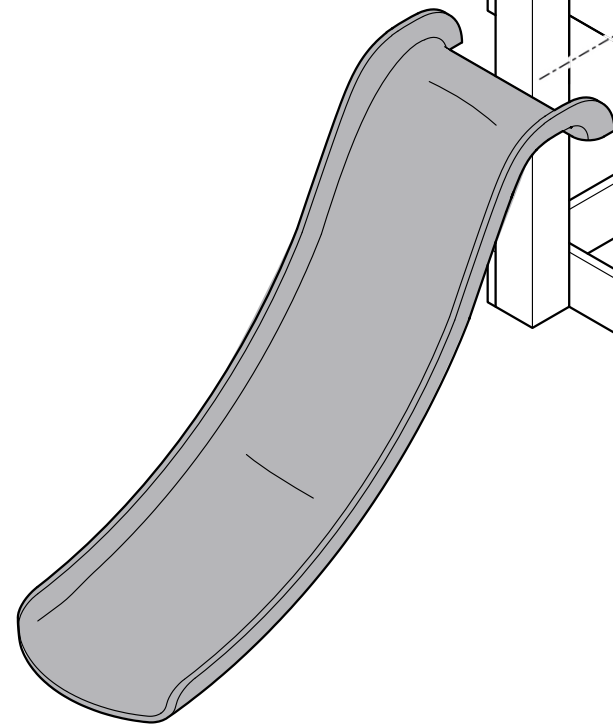
z 2x



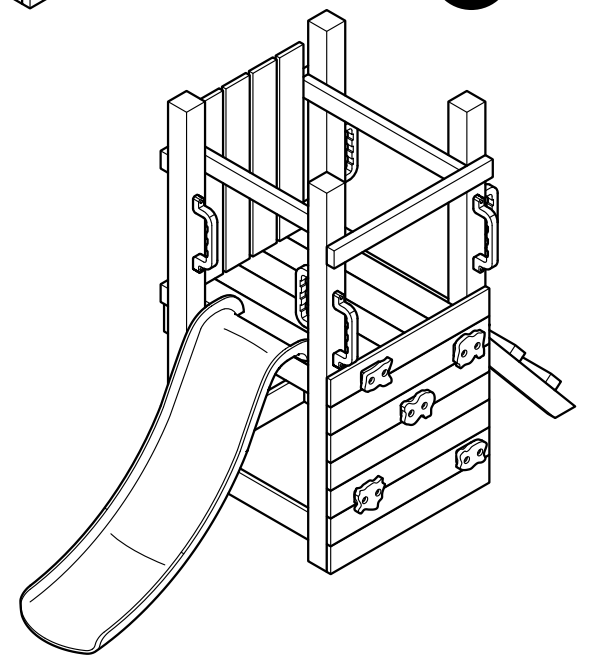
1

2

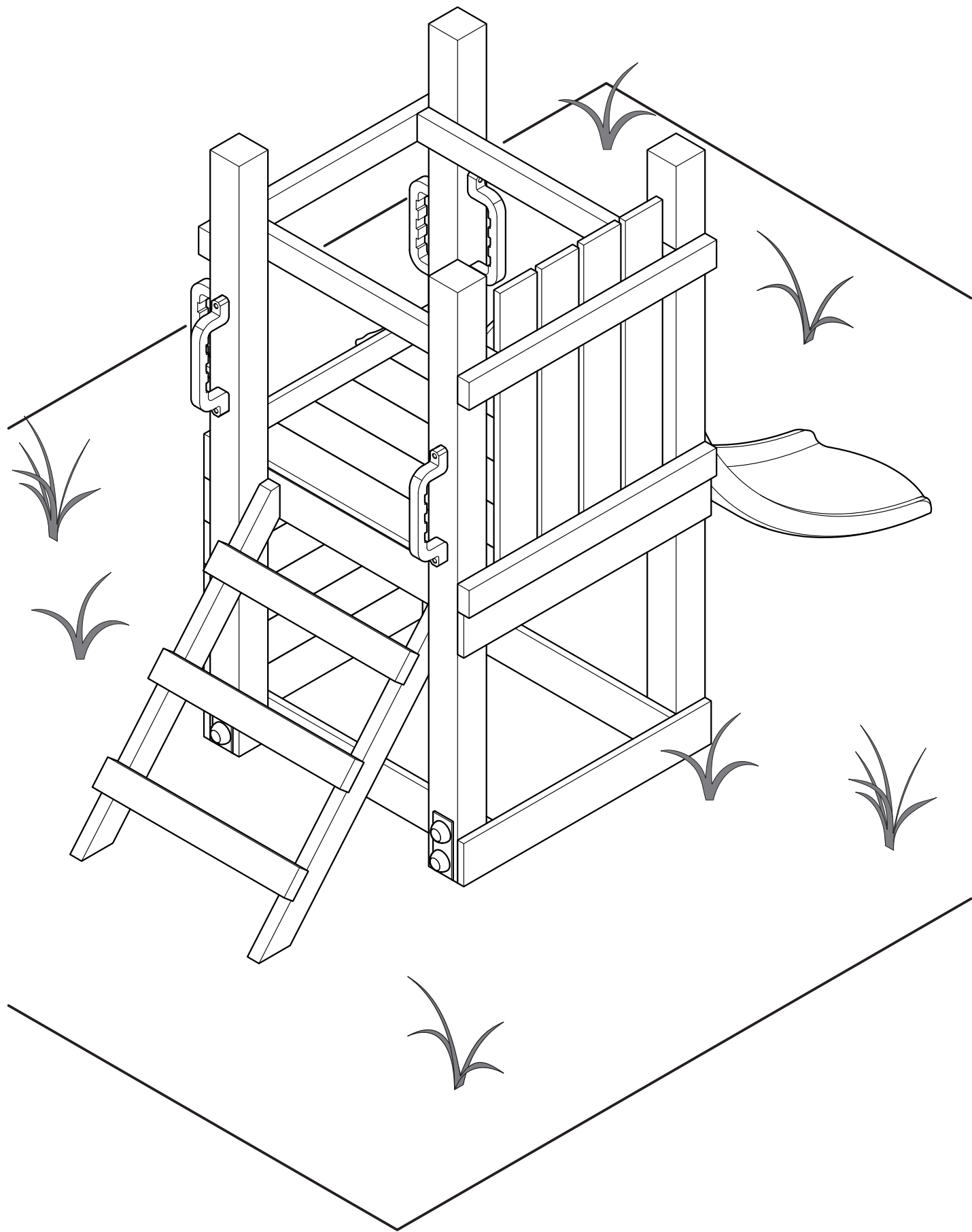
3



C

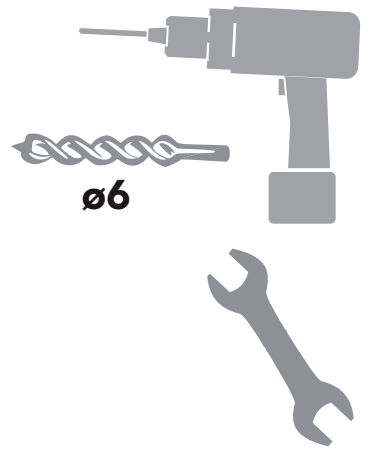
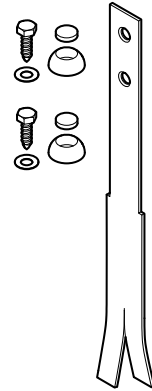


3

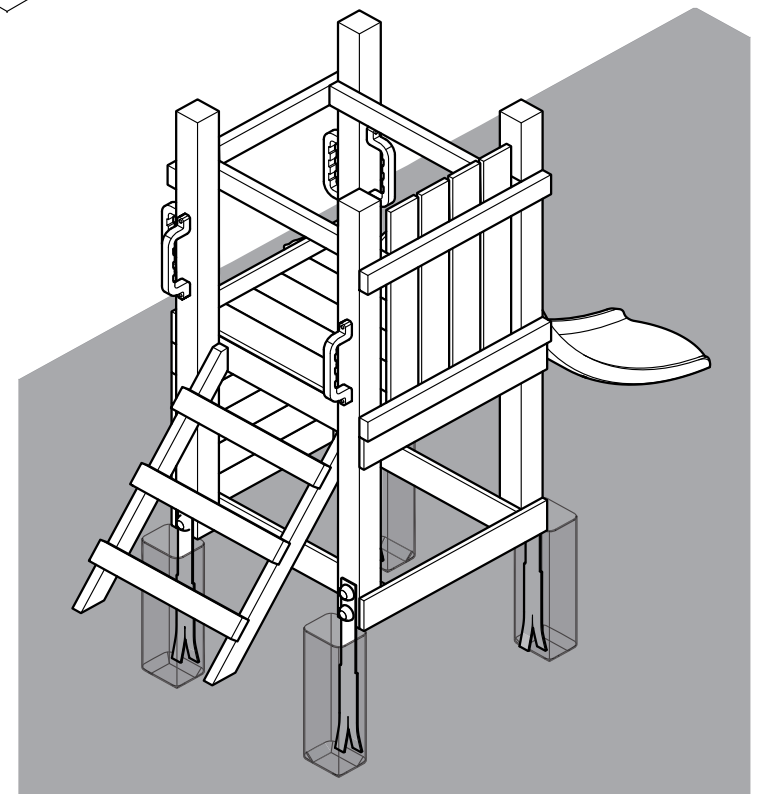
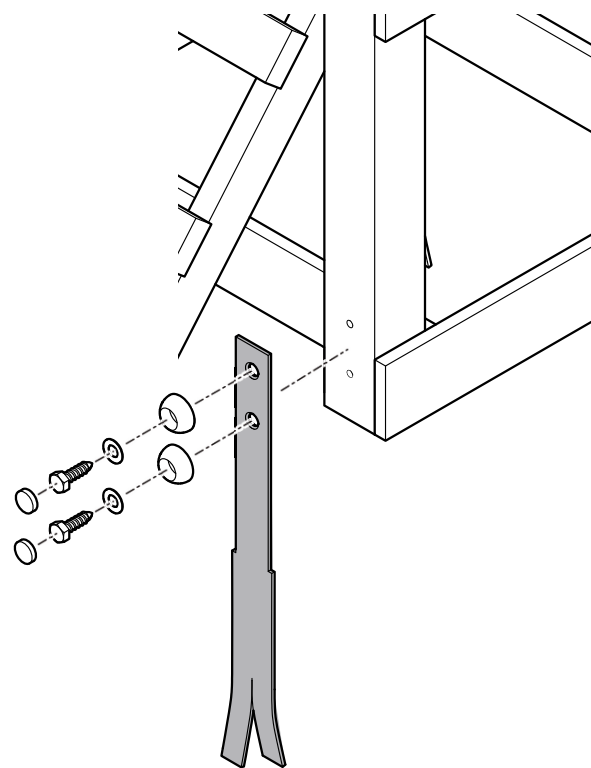
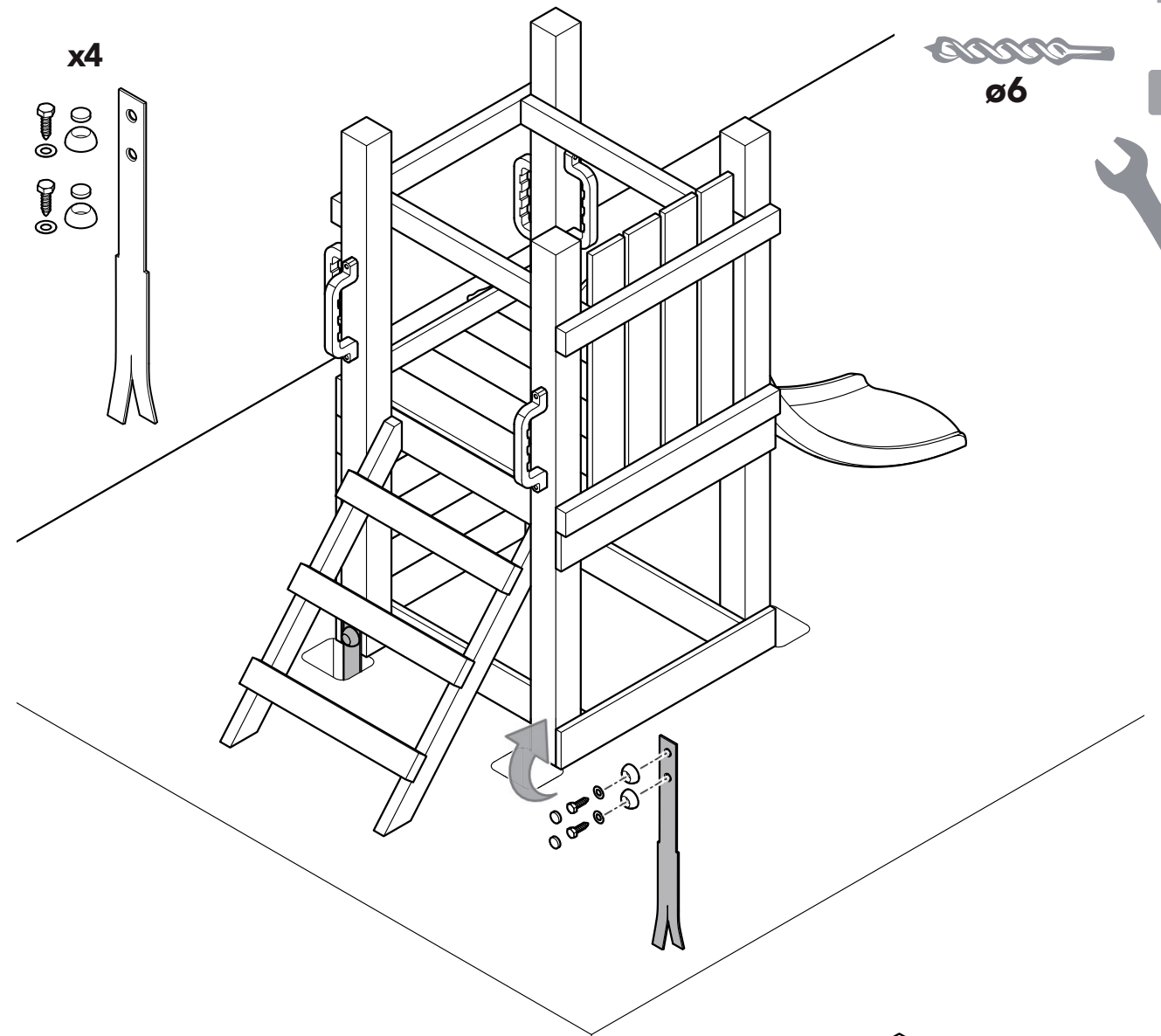


3 A

x4



ø6





Scan for terms
and conditions

+31(0)318 692 221
www.swingking.nl

Swing King IS A BRAND OF:

HAPRO INTERNATIONAL

