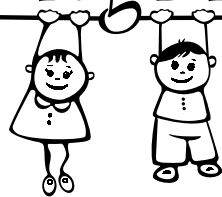


Danielle

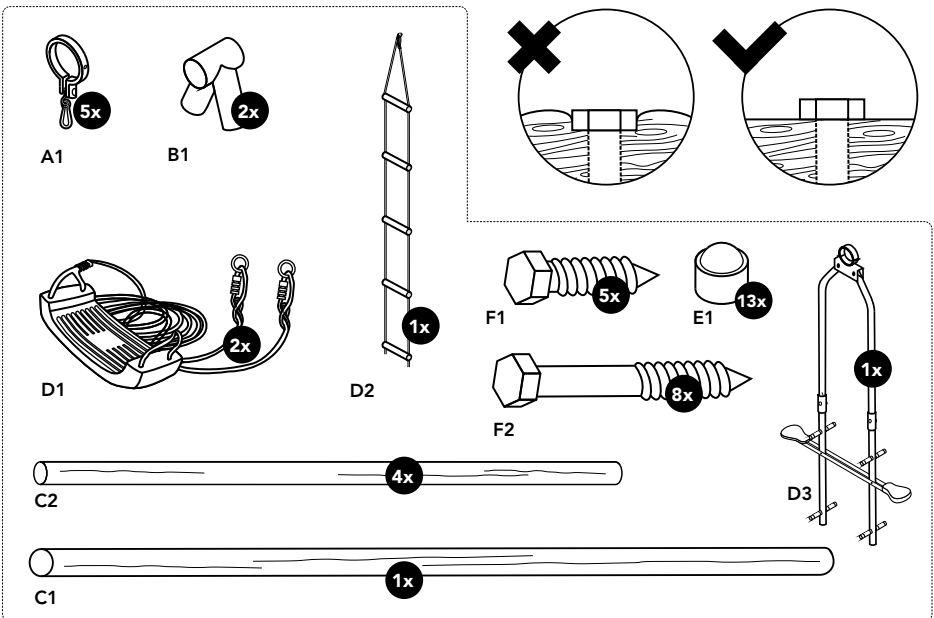
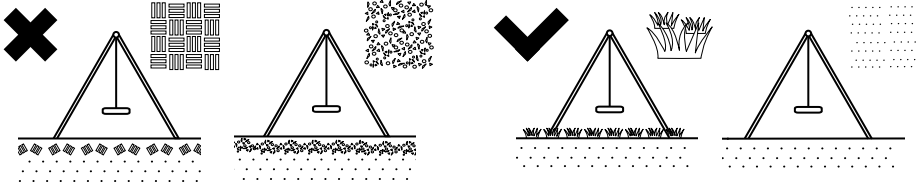
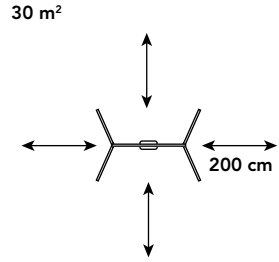
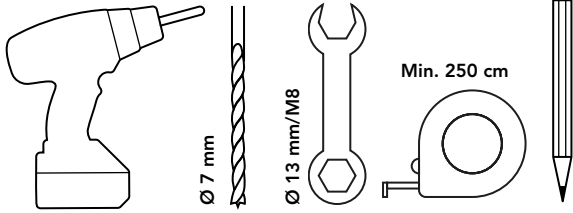
ART. NR. 7930003



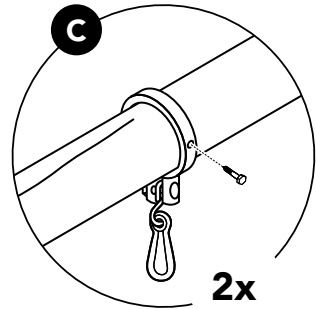
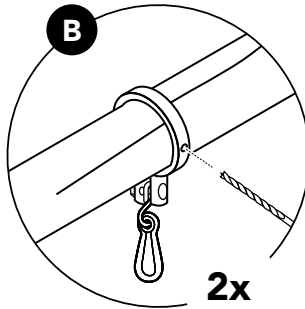
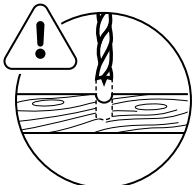
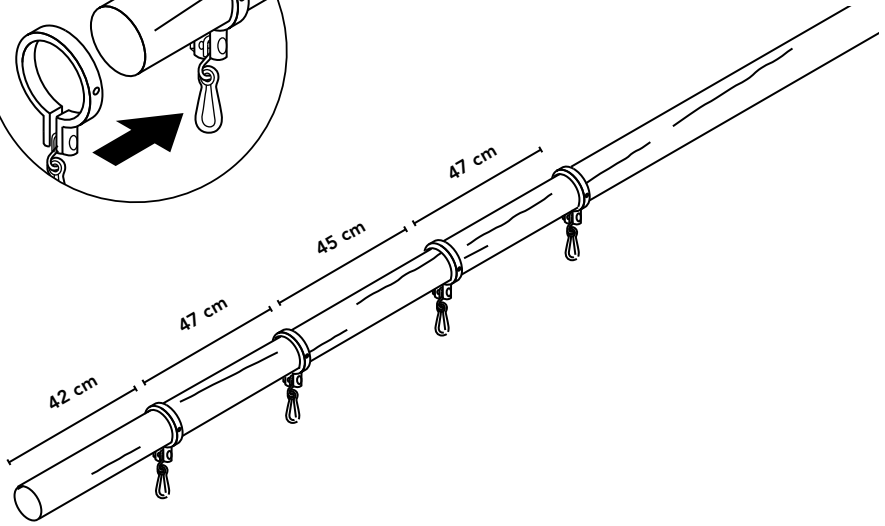
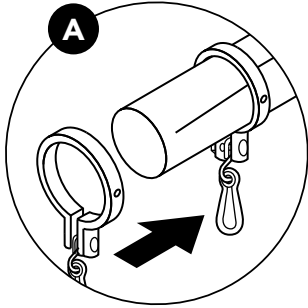
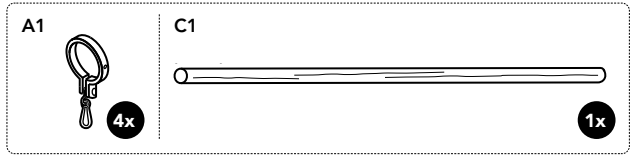
Swing King



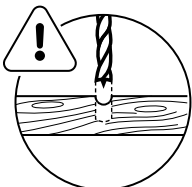
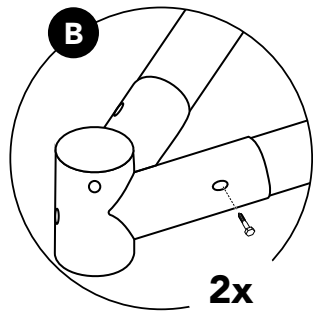
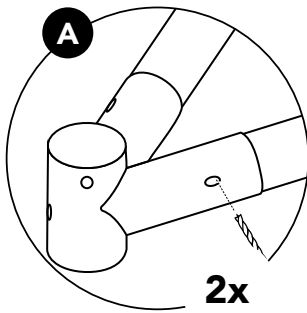
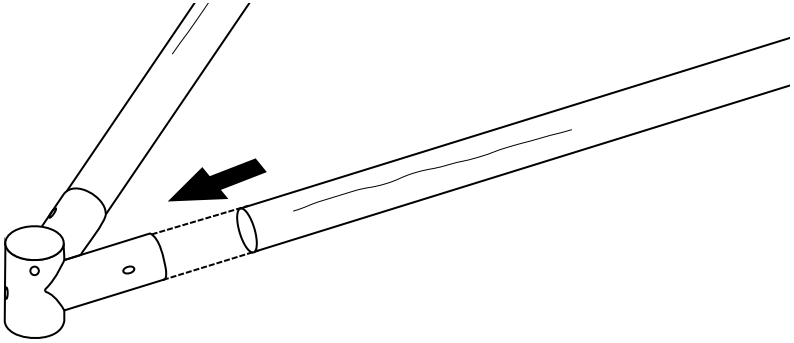
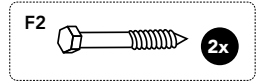
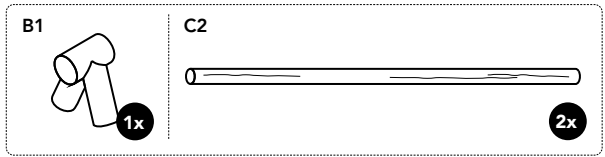
Danielle



1

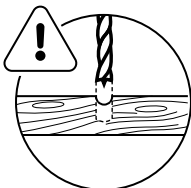
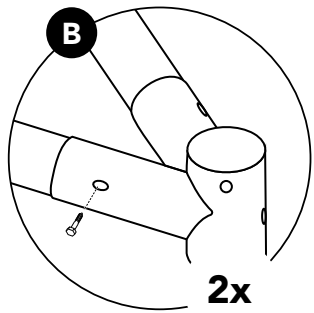
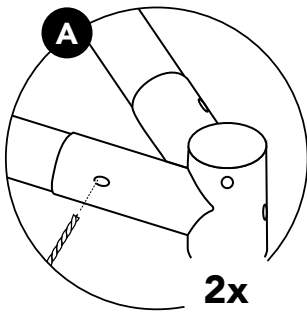
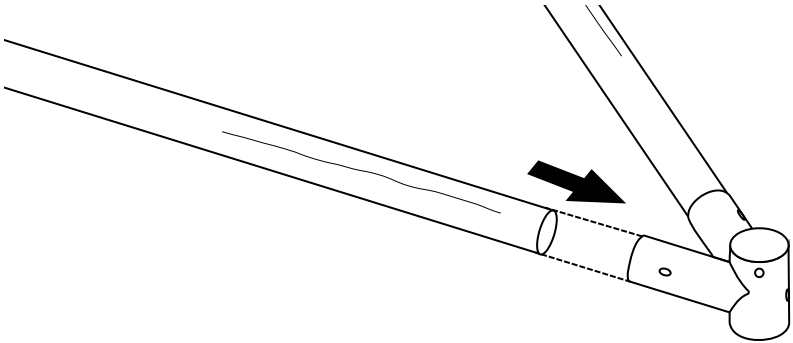
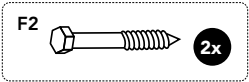
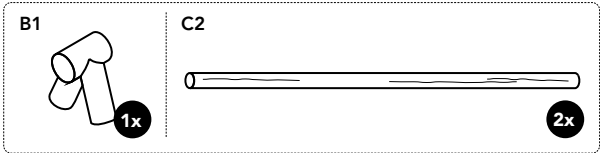


2



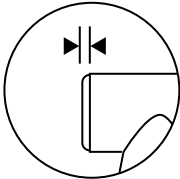
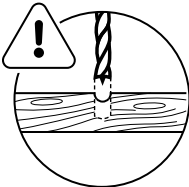
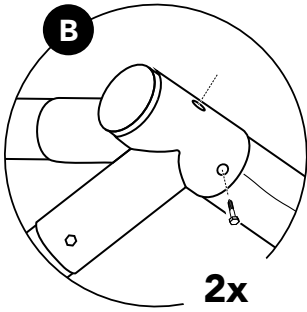
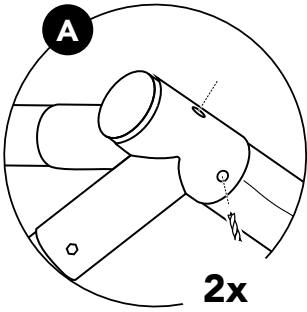
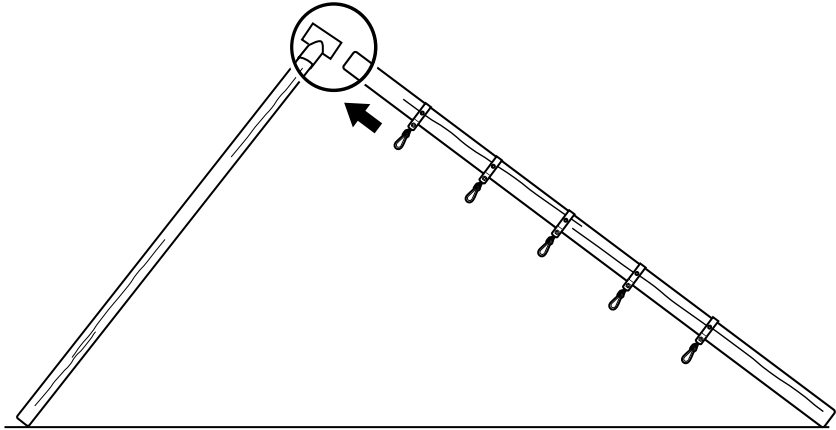
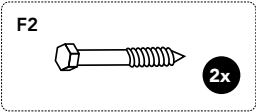
3,5 mm

3

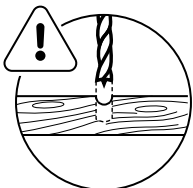
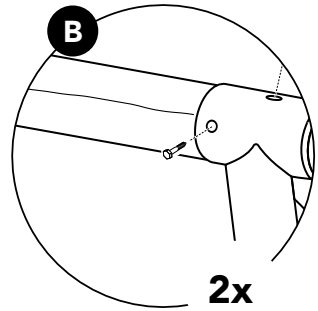
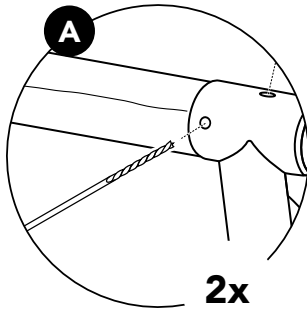
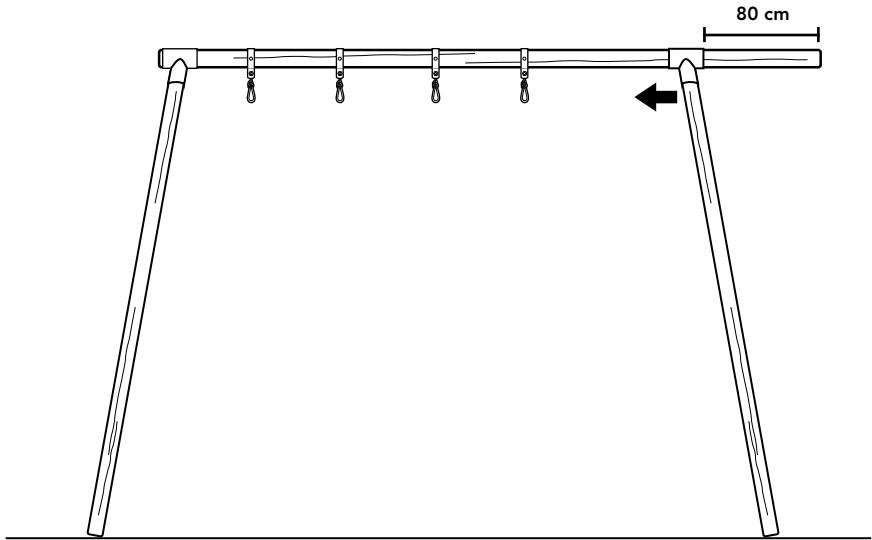
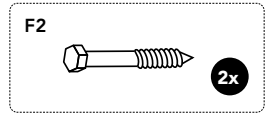


3,5 mm

4

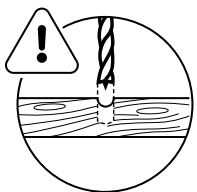
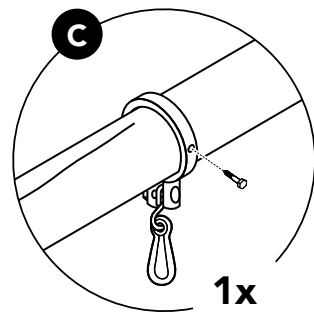
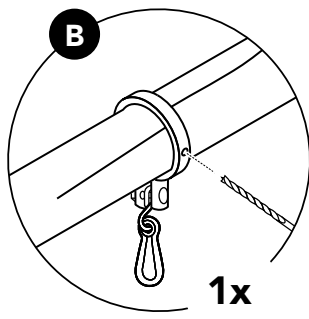
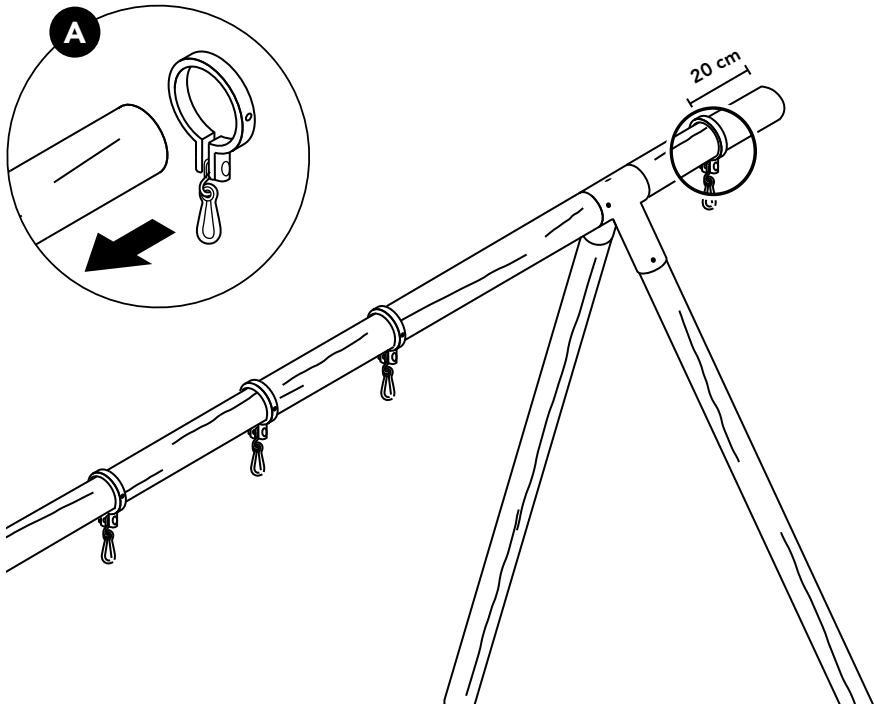
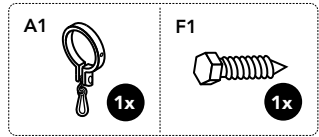


5

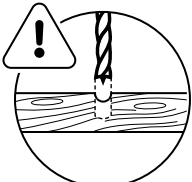
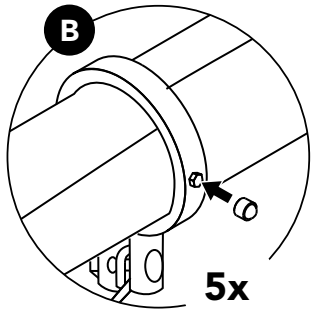
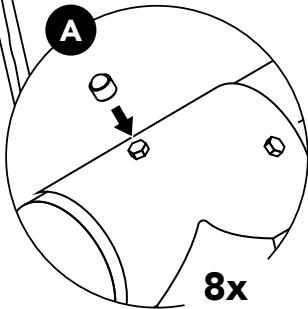
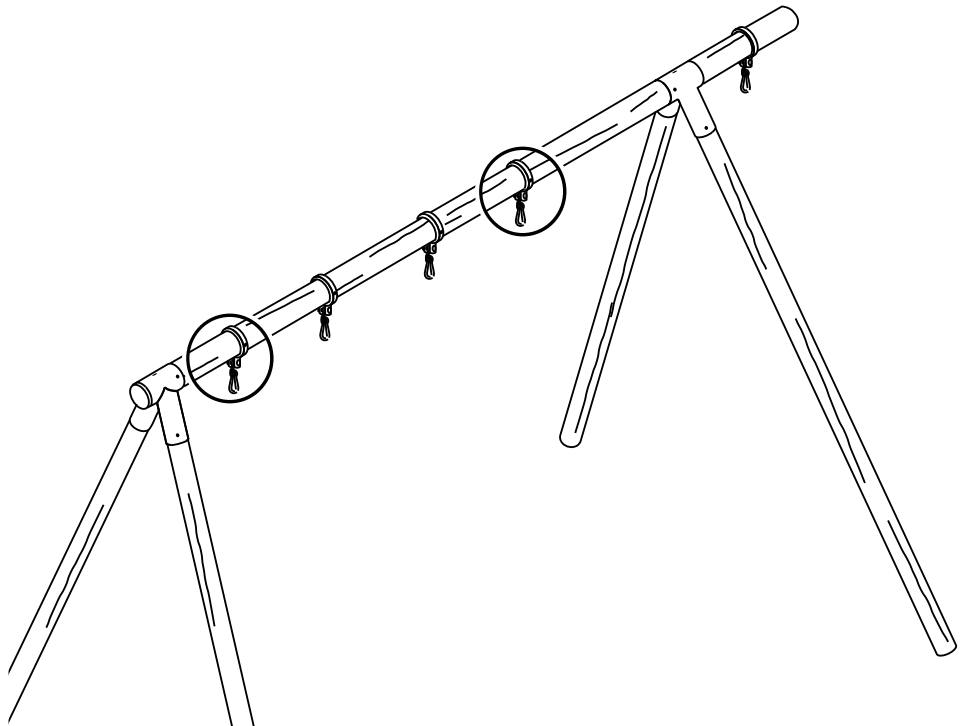
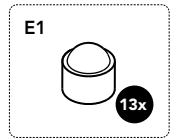


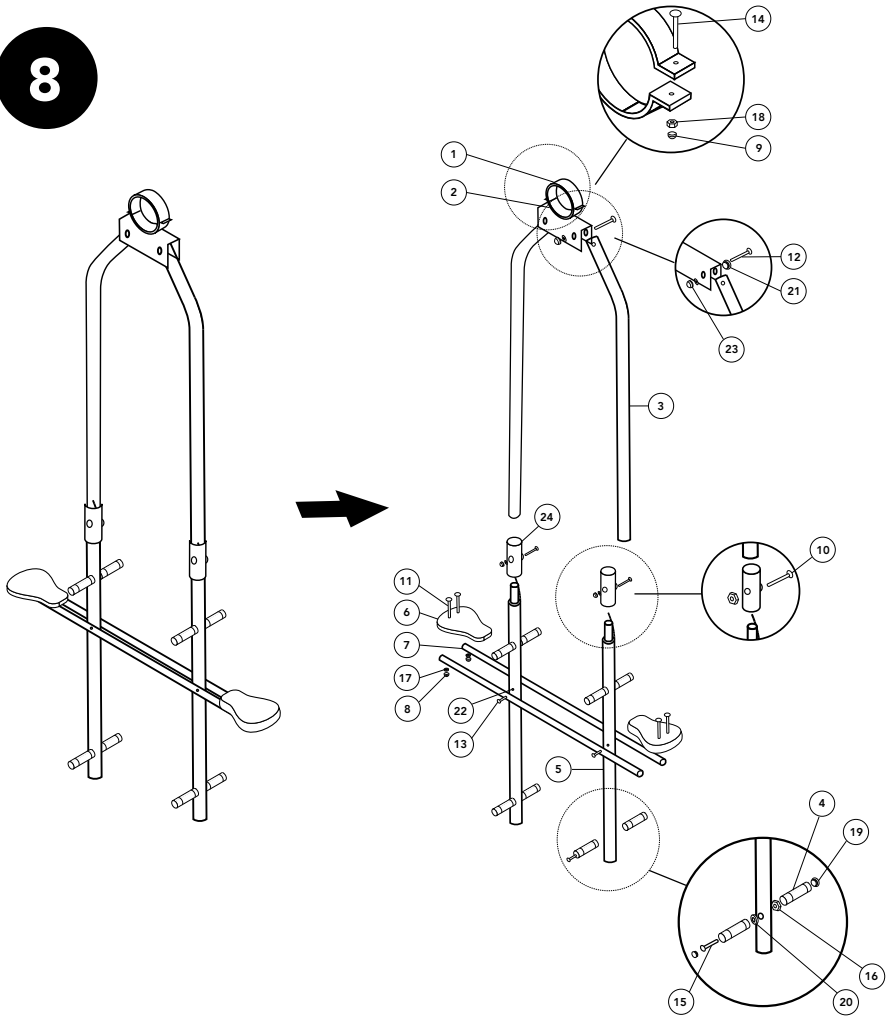
3,5 mm

6



7

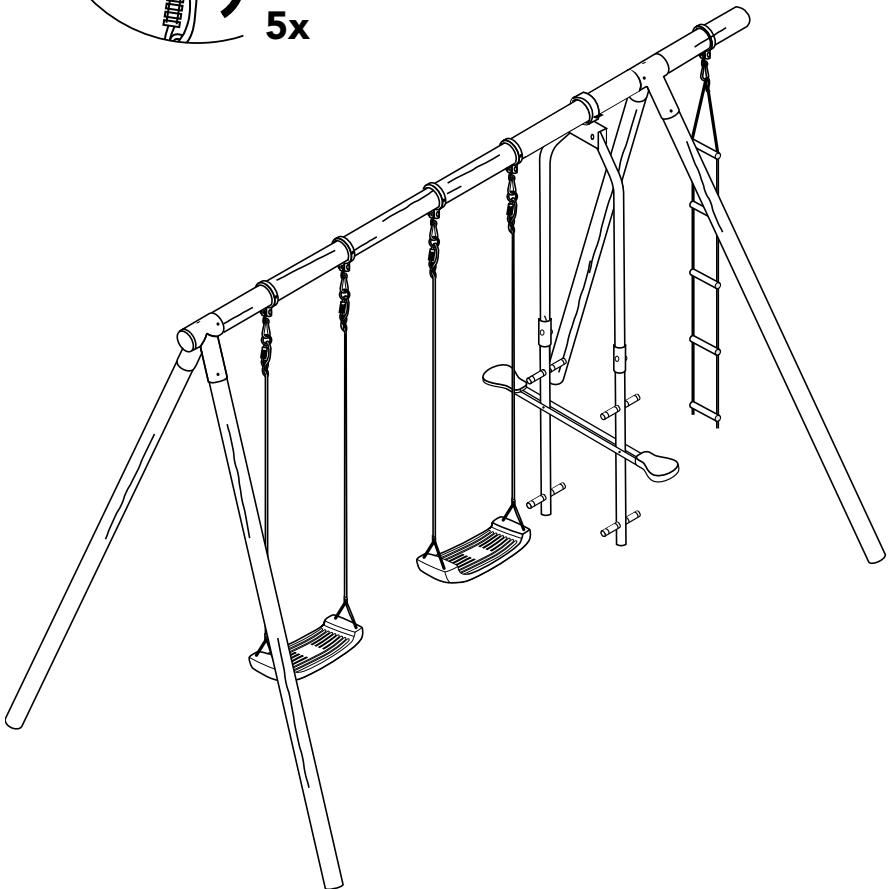
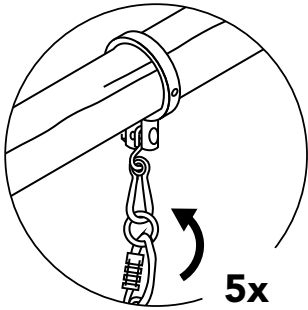
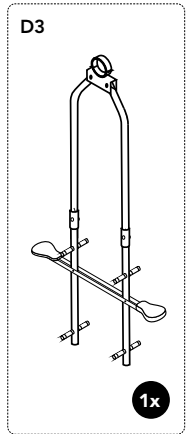
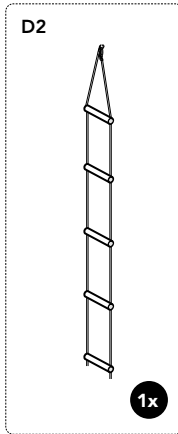
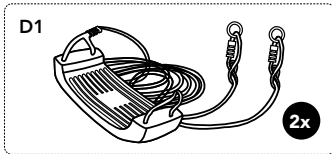


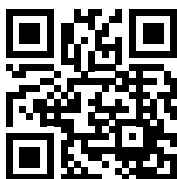


Component Description

Ref	Component Description	Qty	Ref	Component Description	Qty
1	Demi- Round Beam Hook	1	13	Carriage Bolts 8*70mm	2
2	Demi- Round Beam Hook	1	14	Carriage Bolts 8*16mm	2
3	Tube Vertical Superior	2	15	Hex head screw 10*60mm	4
4	Black Plastic Handle	8	16	M10 Metal Nut Cap	4
5	Tube Vertical Inferior	2	17	M6 Metal Plate	4
6	Plastic seat	2	18	M8 Metal Nut Cap	6
7	Tube Horizontal	2	19	Black Plastic Cap	8
8	M6 Metal Nut	4	20	Black "moon" Plastic cap assembled with Black plastic handle	8
9	M8 Black Plastic Cap	4	21	Black Plastic cap assembled the top tube's side	4
10	Round Six Angle 6*35mm with M6 Metal Nut	2	22	Black plastic cap assembled the tube horizontal	4
11	Button head screw M6*55mm	4	23	Black plastic cap assembled the tube vertical superior and inferior	4
12	Carriage Bolts 8*55mm	2	24	Green Plastic tube Handle	2

9





Scan for terms
and conditions

+31(0)318 692 221
www.swingking.nl

Swing King IS A BRAND OF:

HAPRO INTERNATIONAL

