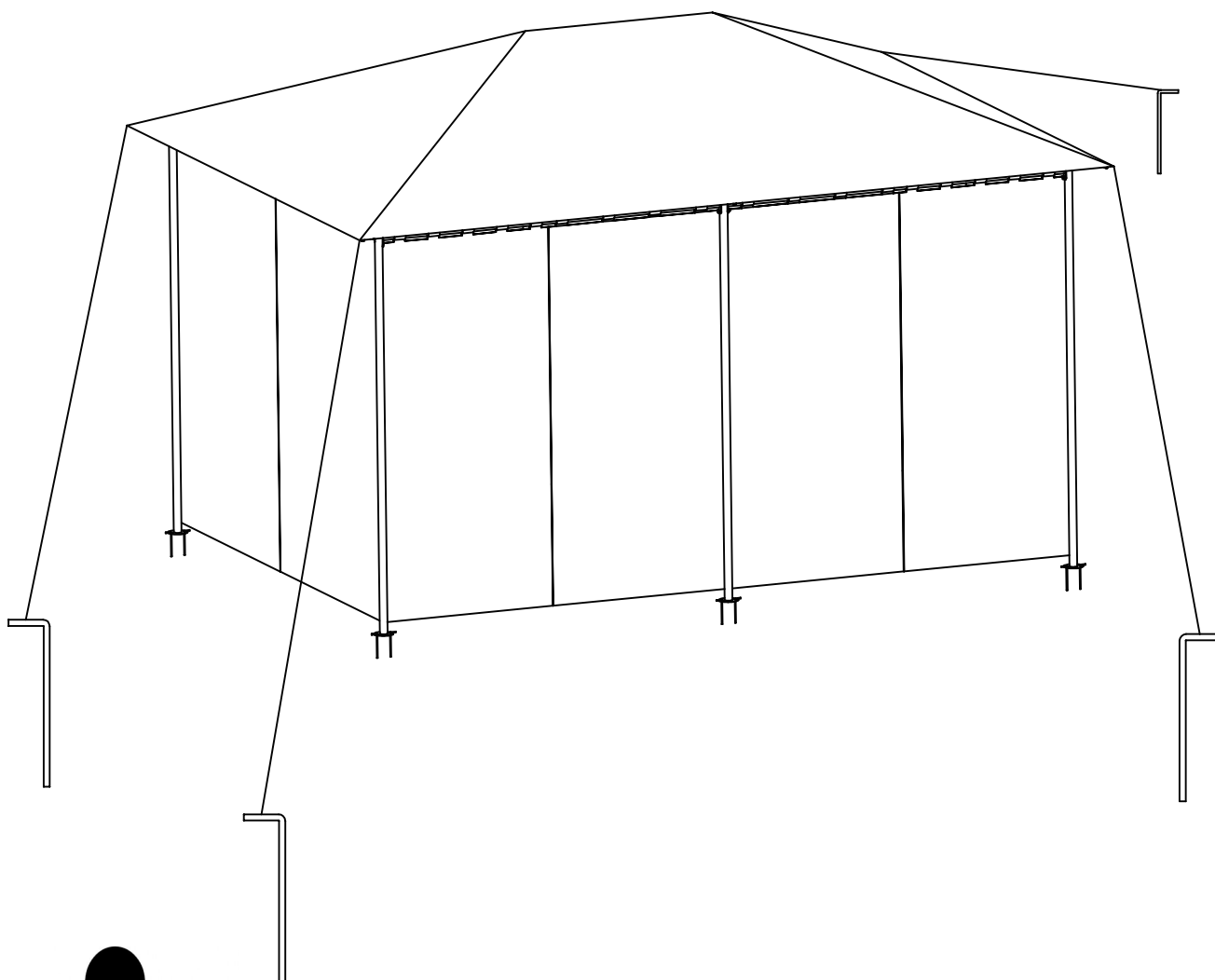


GFS00050A

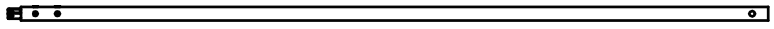
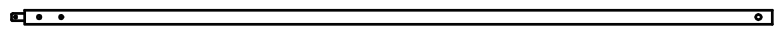
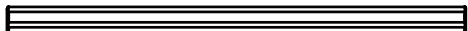
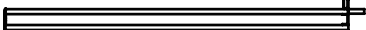
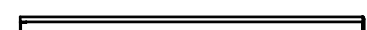
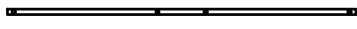



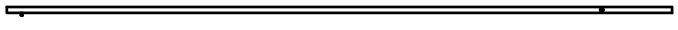
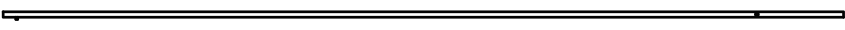

BAHAG:27144299

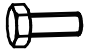
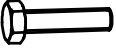



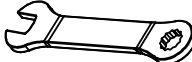
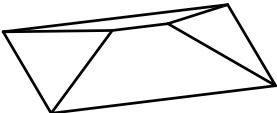
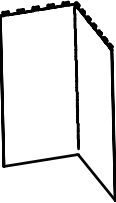
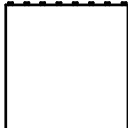


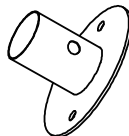


3

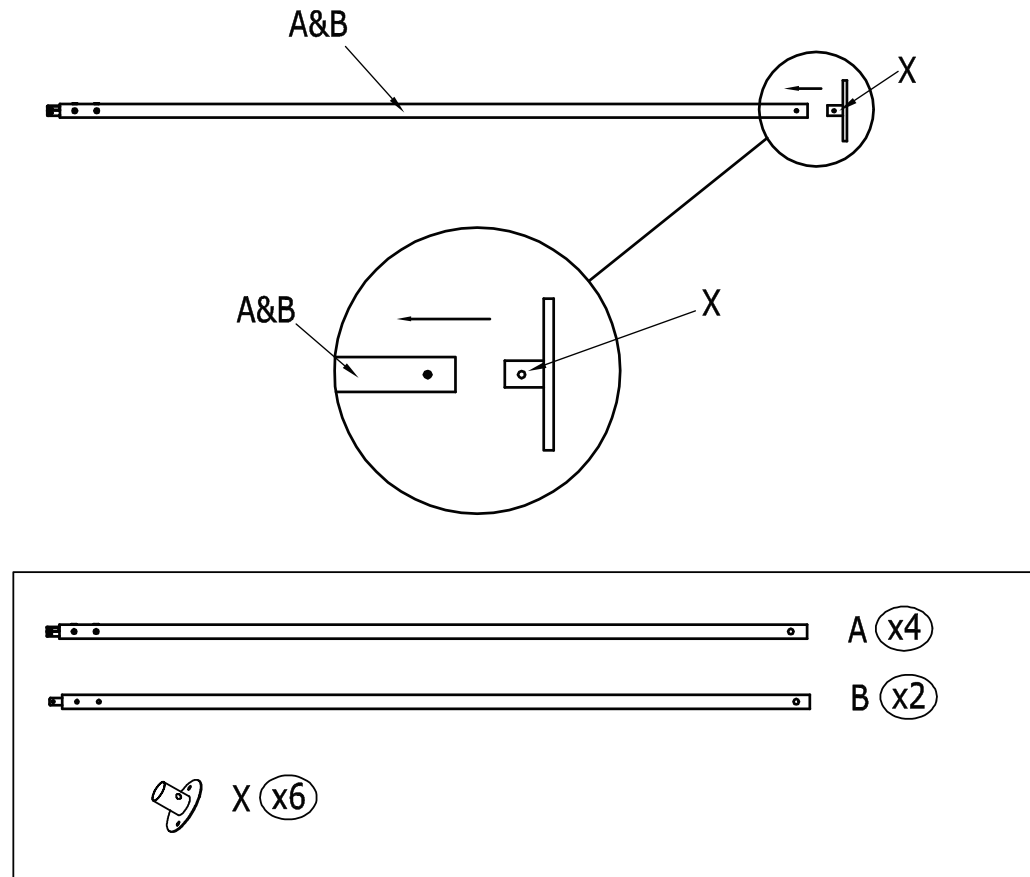


120 min

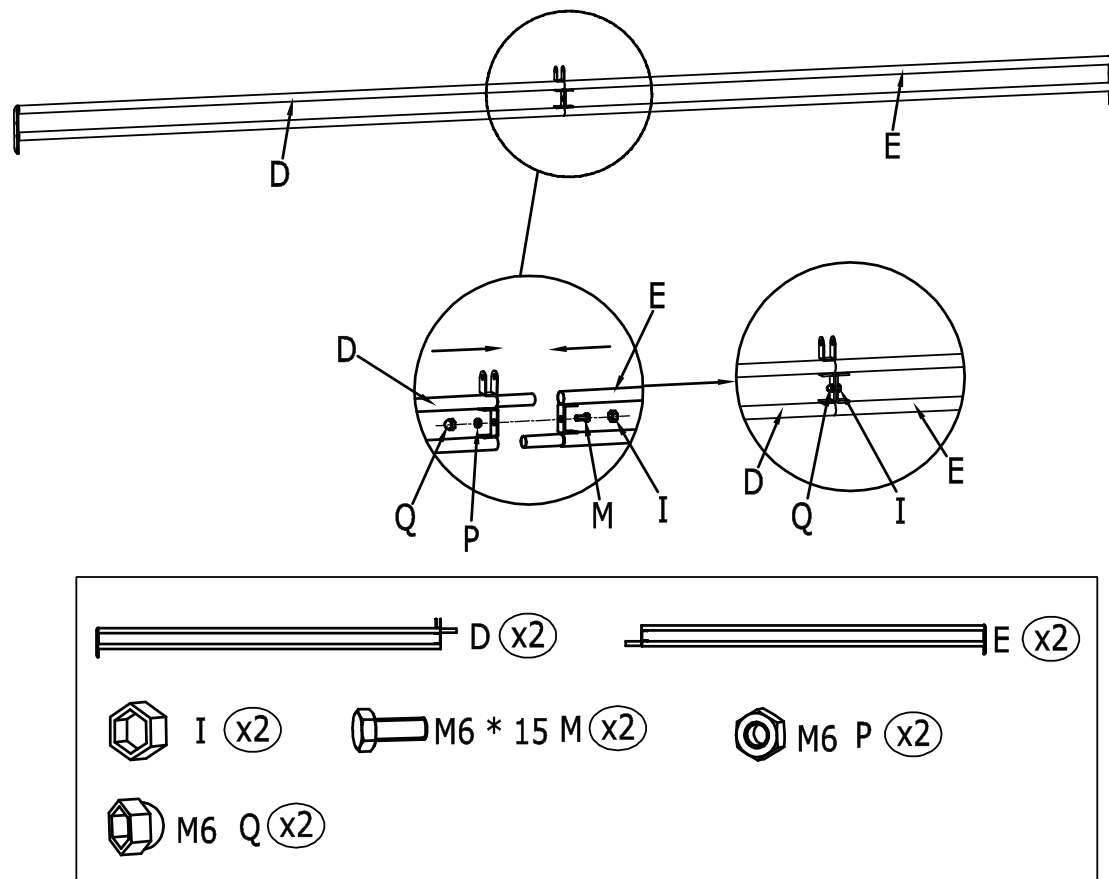
PARTS NO.#	QTY	DESCRIPTION
A	4	
B	2	
C	4	
D	2	
E	2	
F	1	
G	1	
H	2	
I	32	
J	2	
K	4	
L	2	

PARTS NO.#	QTY	DESCRIPTION	PARTS NO.#	QTY	DESCRIPTION
M	18	 M6 * 15	N	10	 M6 * 25
O	4	 M6 * 52	P	16	 M6
Q	16	 M6	R	2	
S	1		T	4	
U	2		V	16	
W	4		X	6	

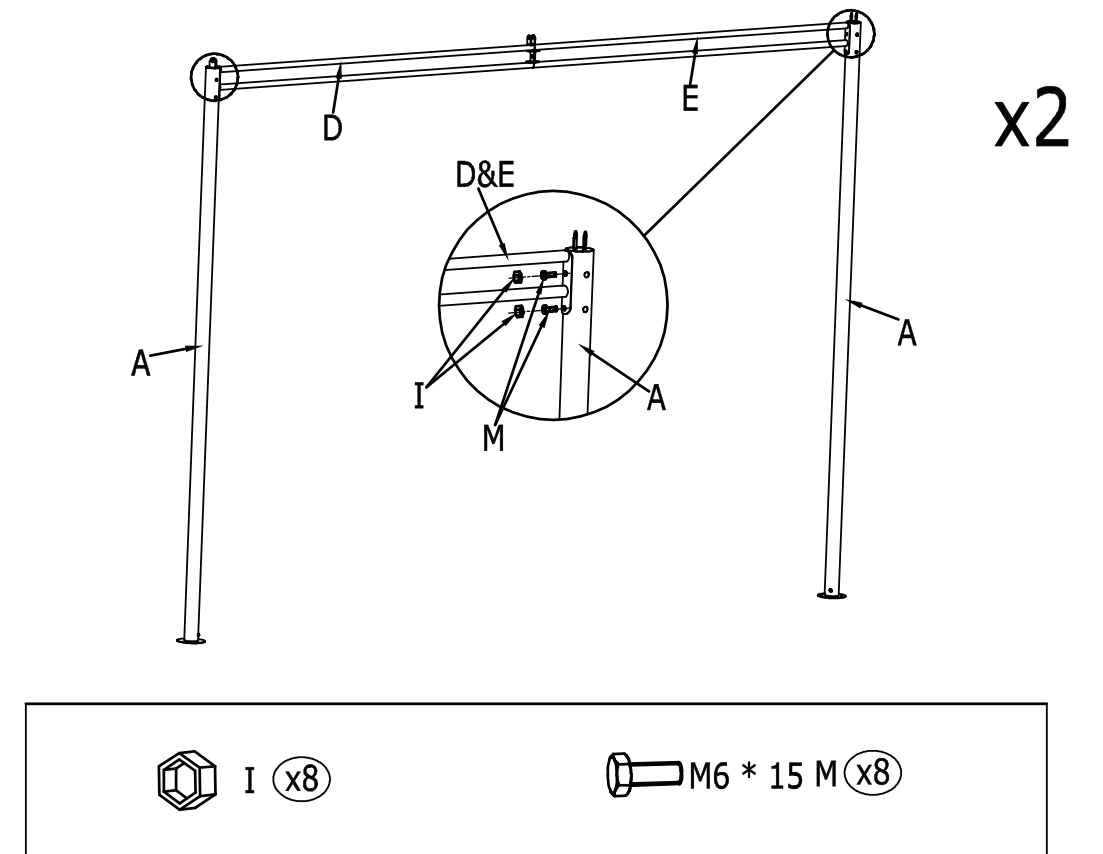
STEP 01



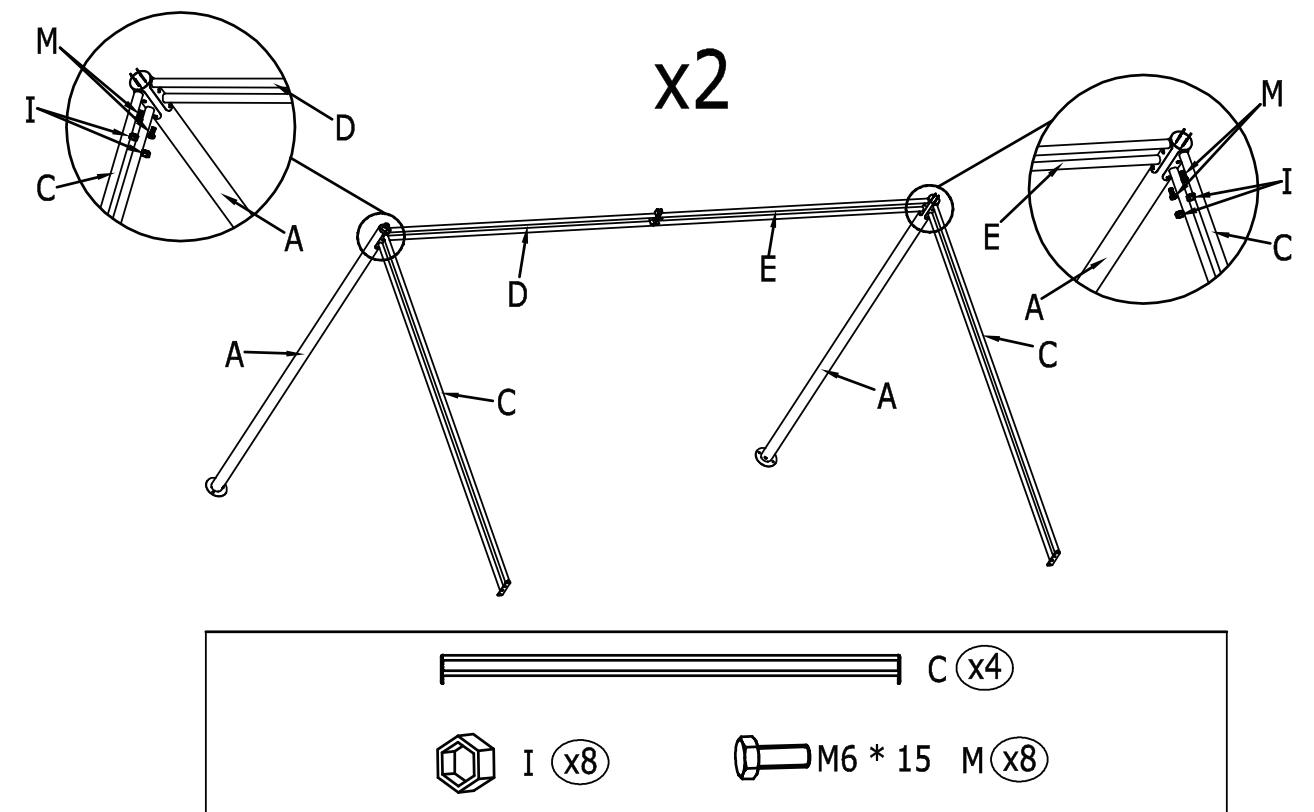
STEP 02



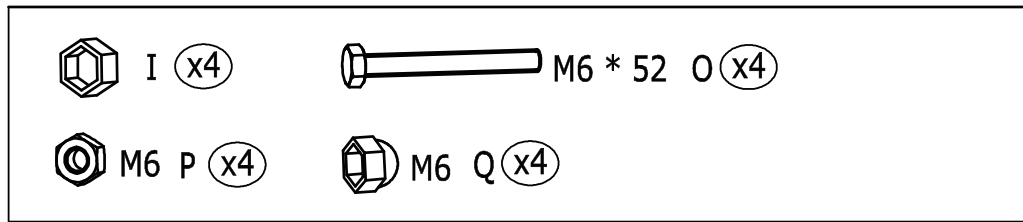
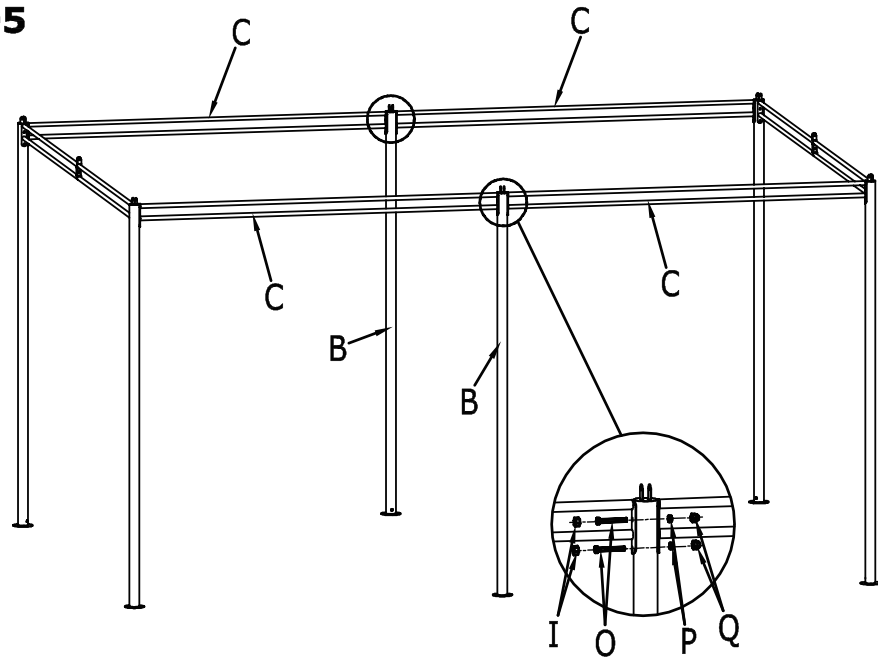
STEP 03



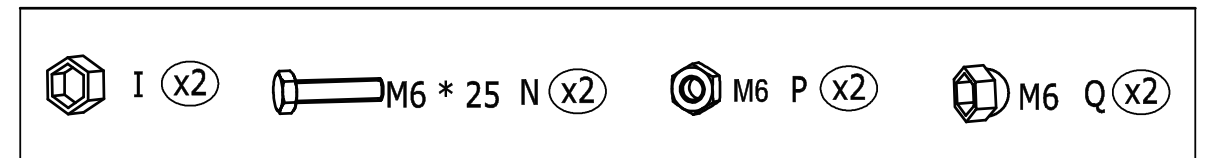
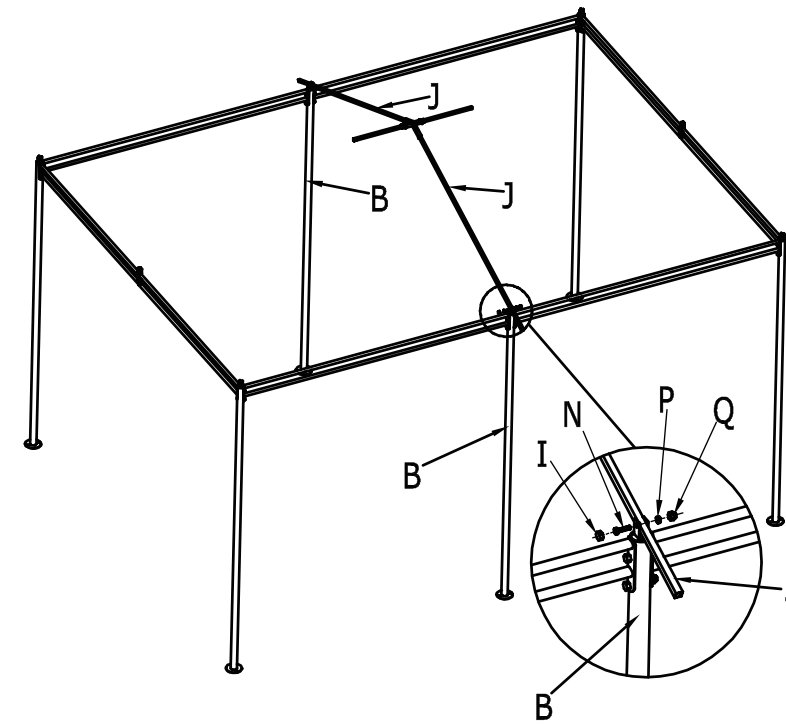
STEP 04



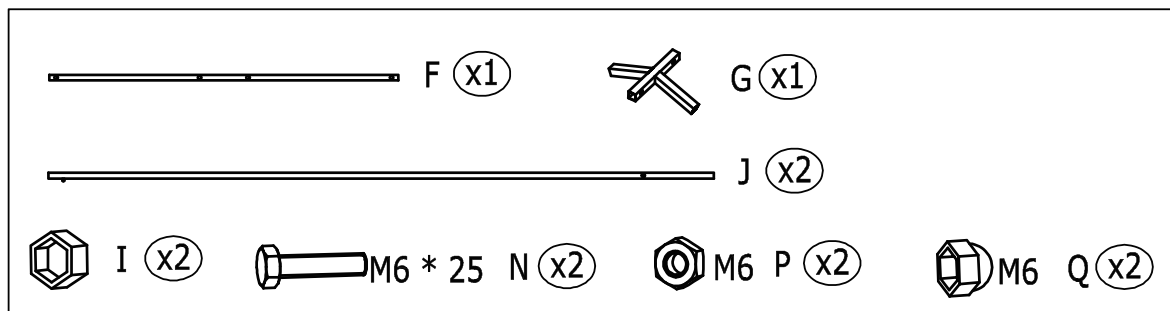
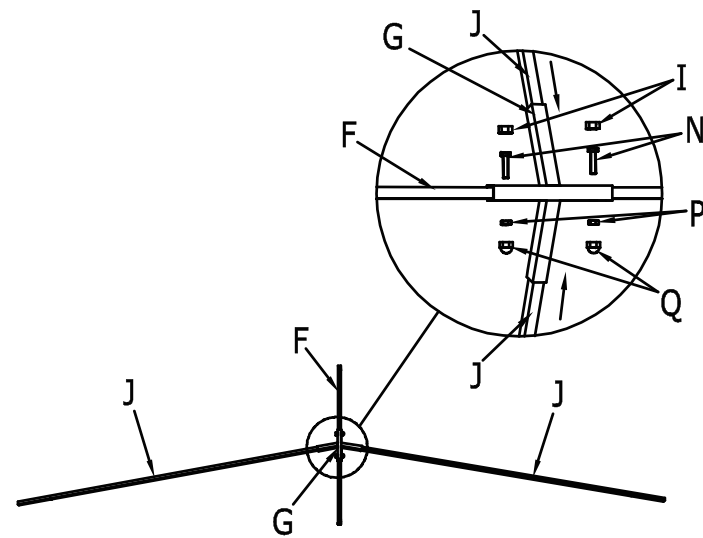
STEP 05



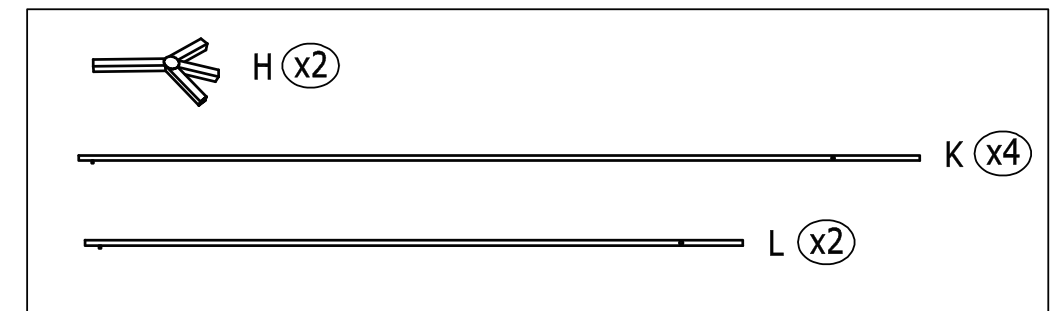
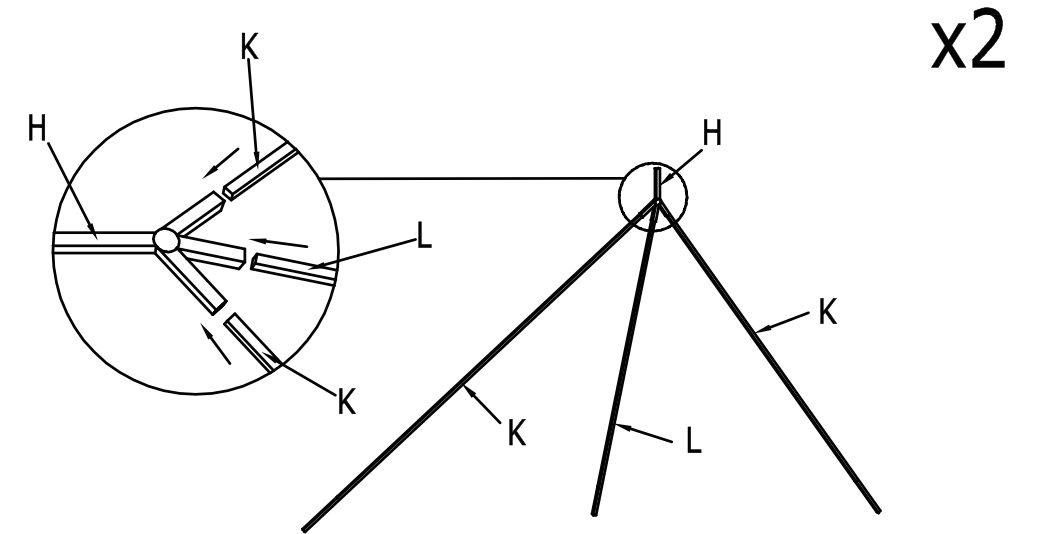
STEP 07



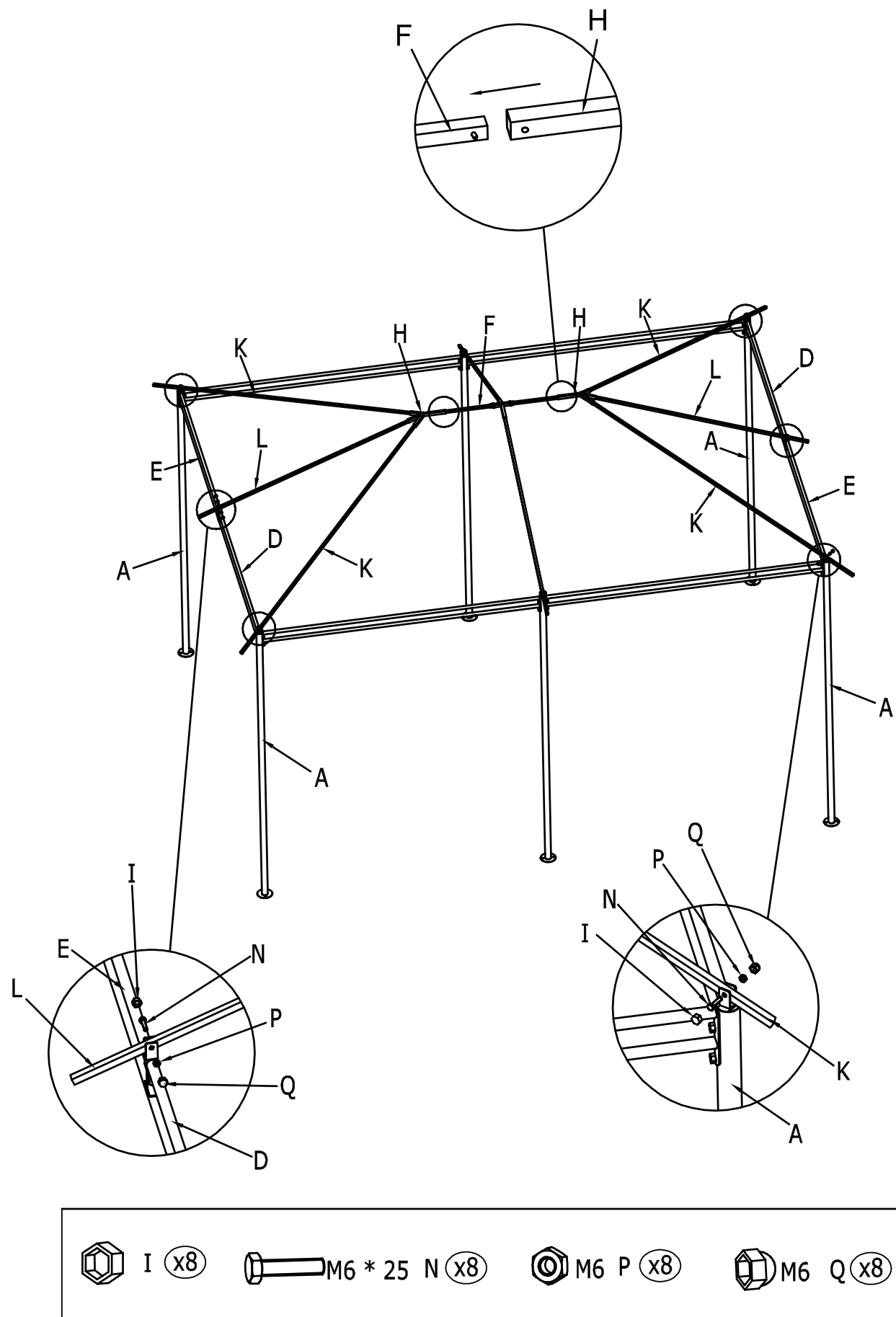
STEP 06



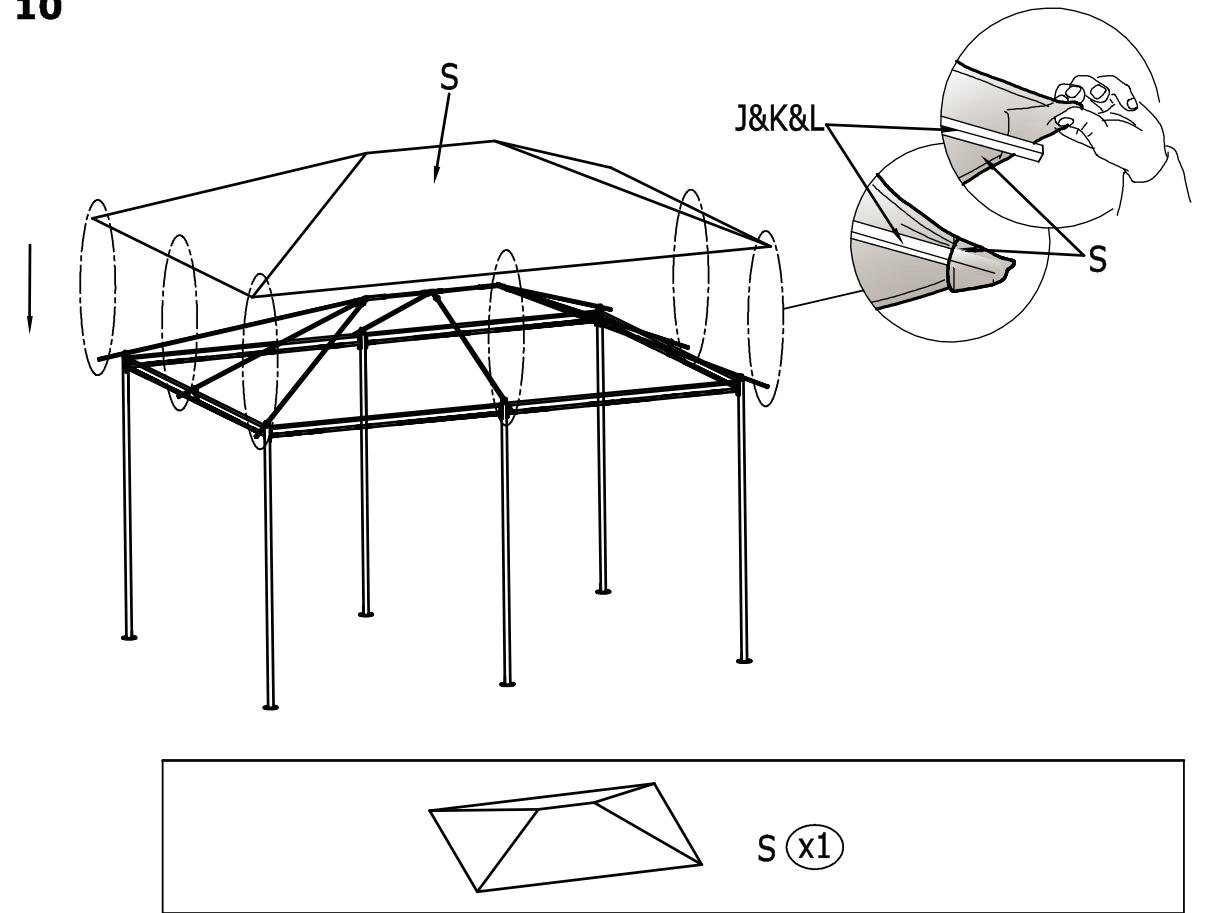
STEP 08



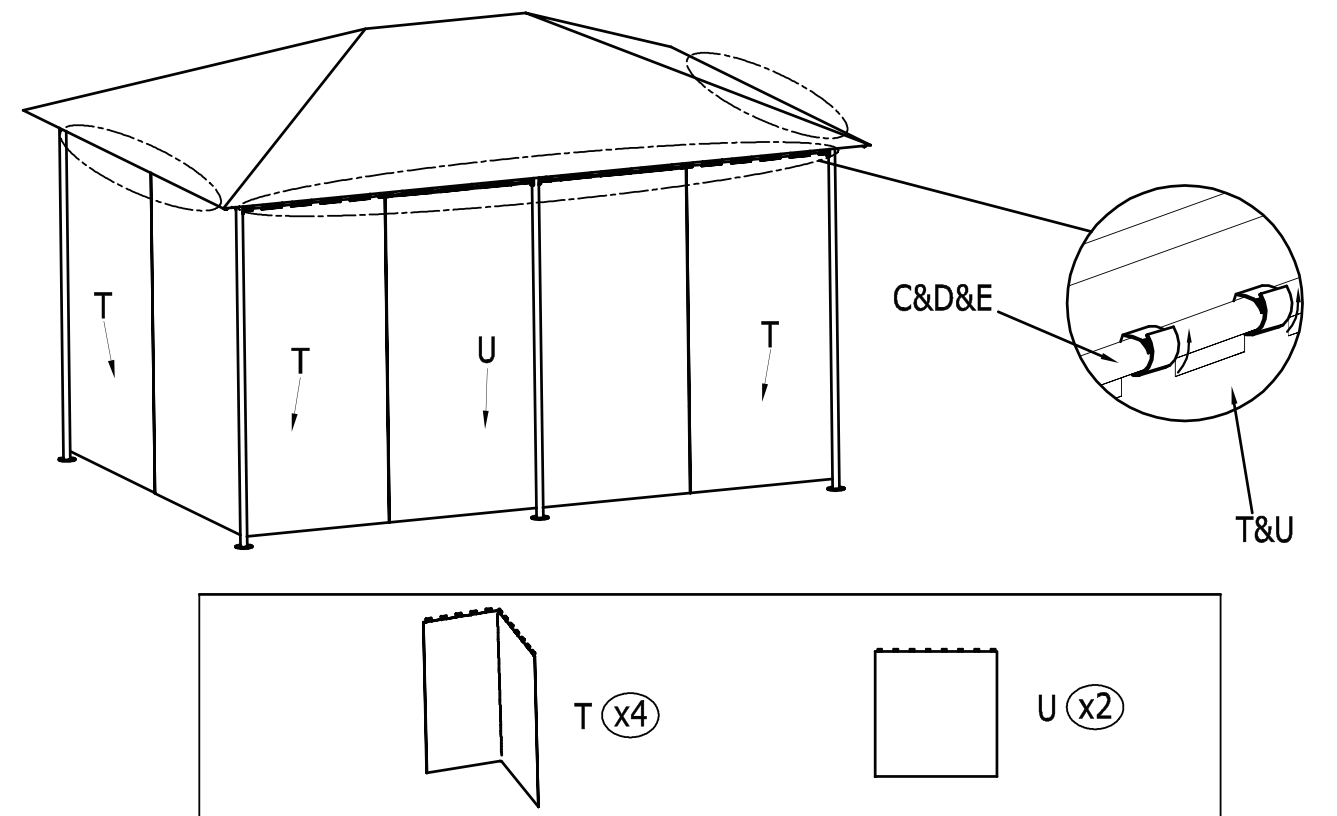
STEP 09



STEP 10



STEP 11



STEP 12

