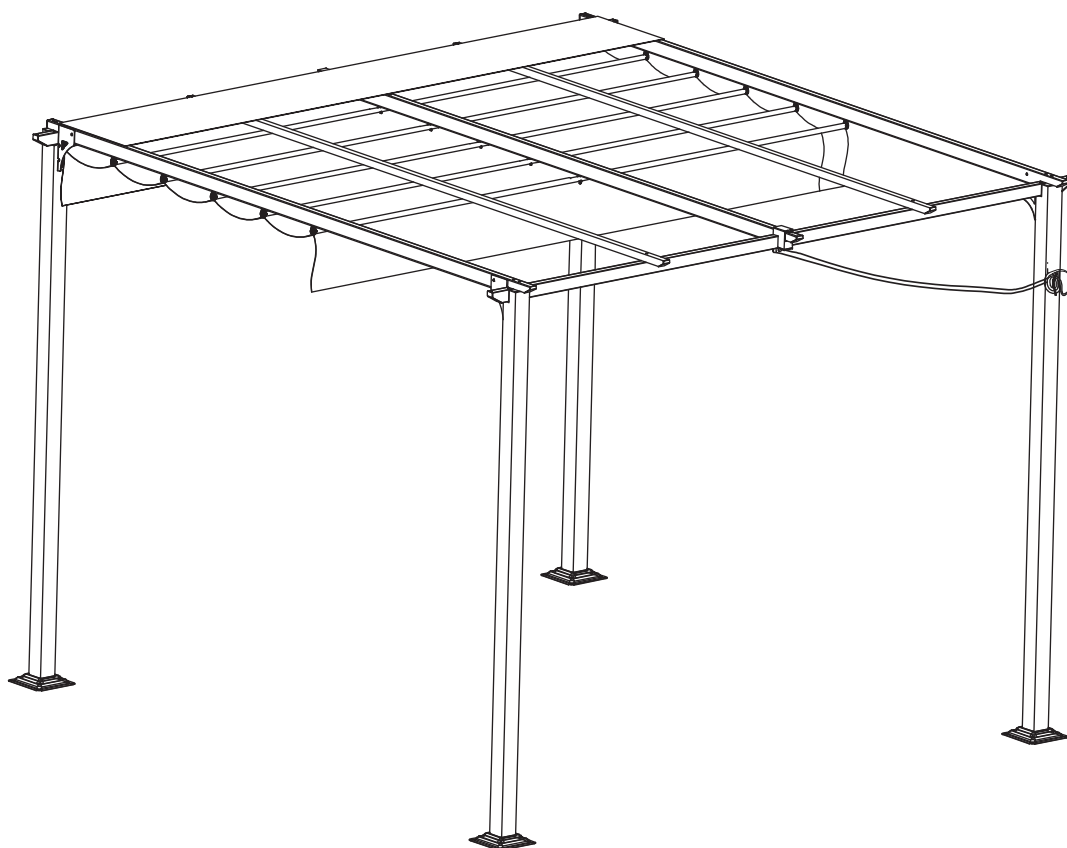


GFM01108J

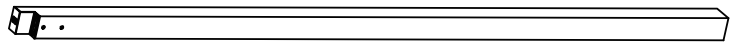
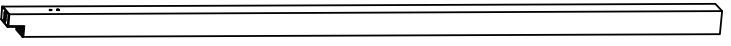



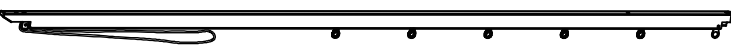

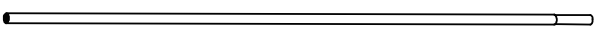
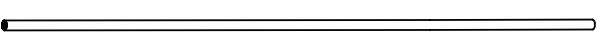
BAHAG:23015117


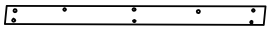

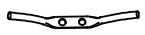


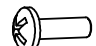

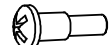
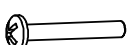
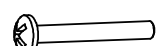



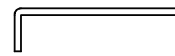




3

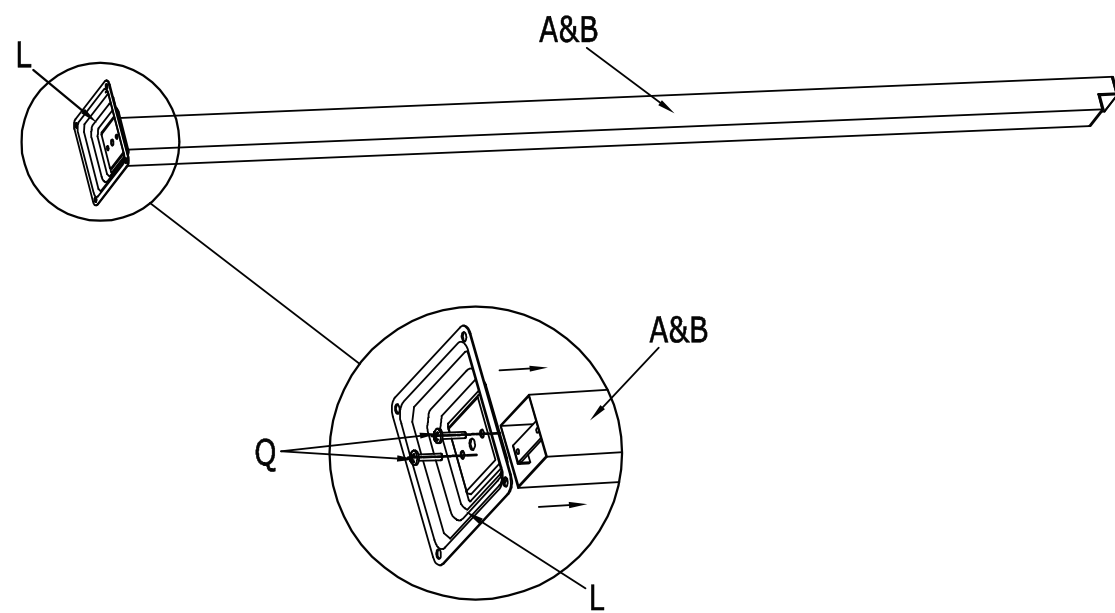


180 min

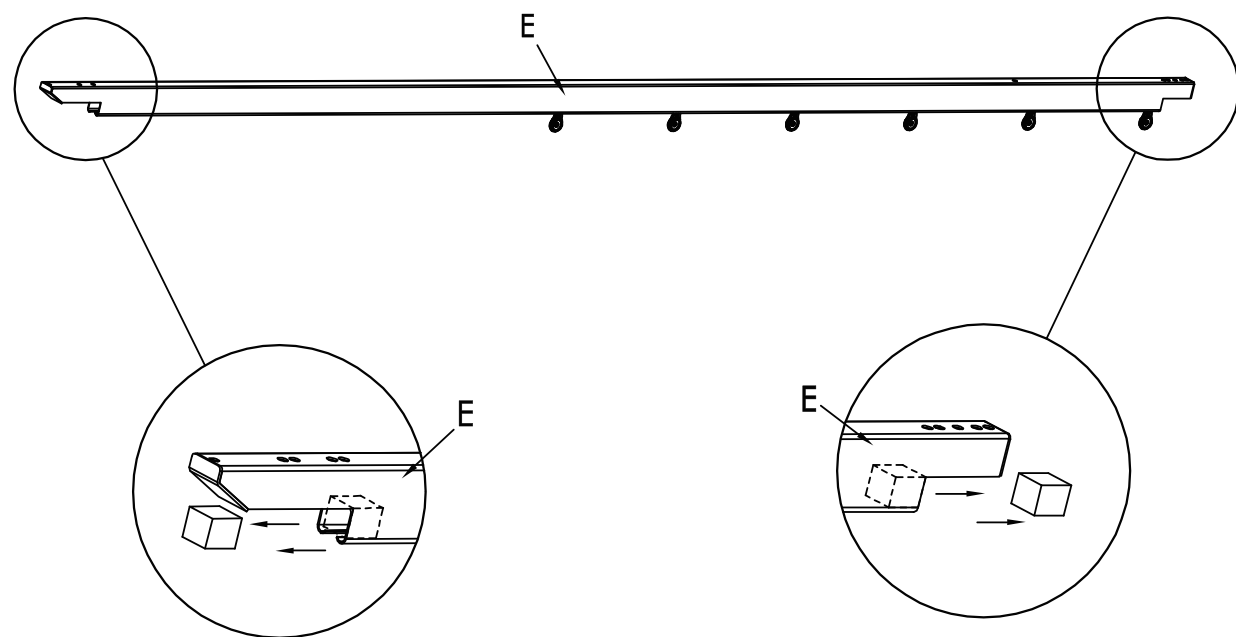
PARTS NO.#	QTY	DESCRIPTION
A	3	
B	1	
C	1	
D	1	
E	2	
F	1	
G	2	
H	6	
I	6	

PARTS NO.#	QTY	DESCRIPTION	PARTS NO.#	QTY	DESCRIPTION
J	1		K	1	
L	4		M	1	
N	1		O	2	
P	22+1		Q	8+1	
R	12+1		S	16+2	
T	8+1		V	4	
W1	2		W2	2	
X	16		Y	2	
Z	1				

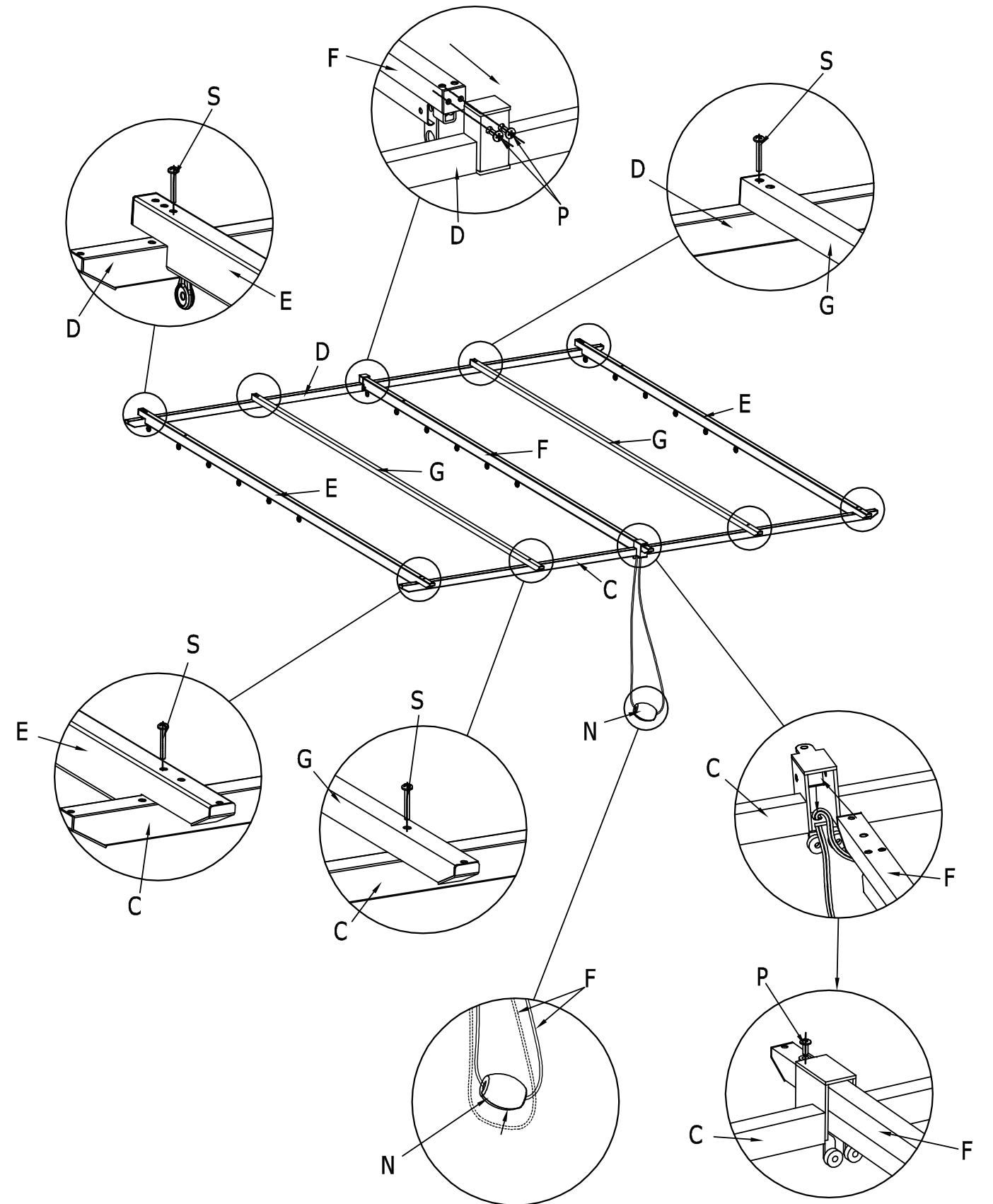
STEP 01



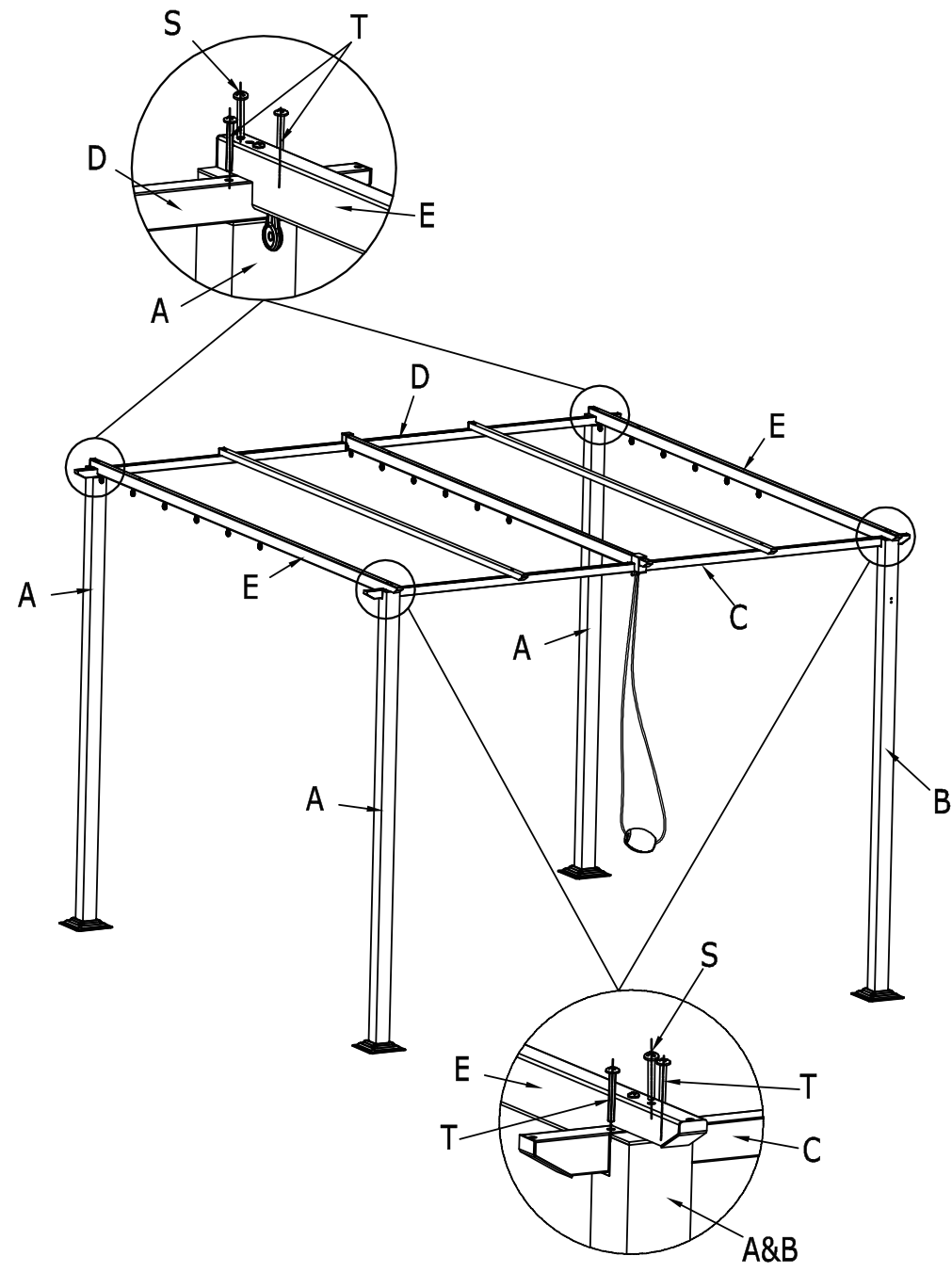
STEP 02



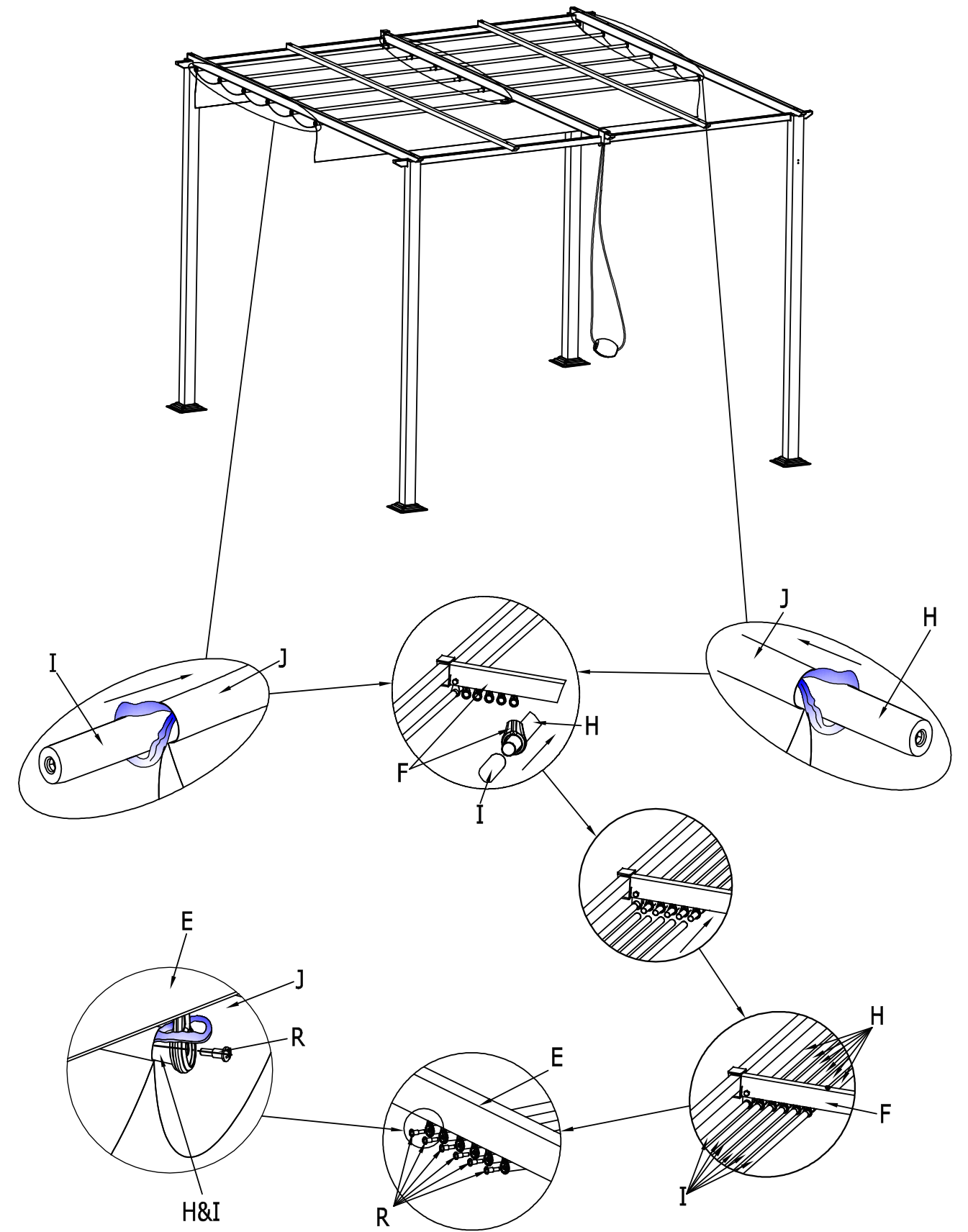
STEP 03



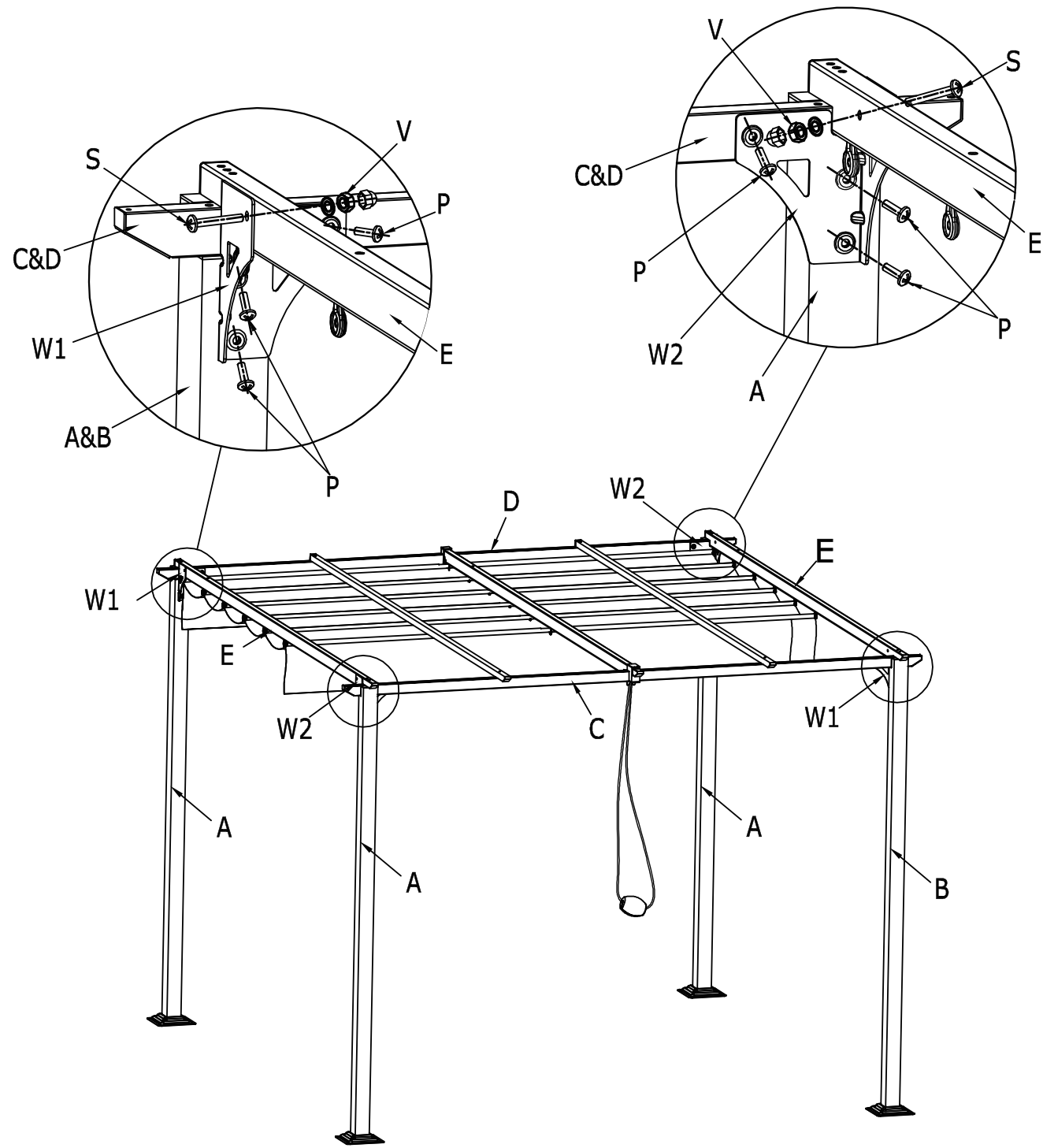
STEP 04



STEP 05



STEP 06



STEP 07

