

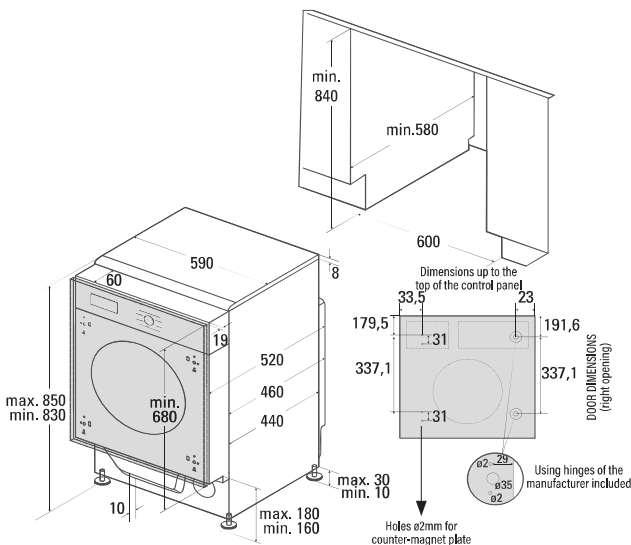
**BUILT-IN** WASHING MACHINE



LI 08014  
Cod. 07900002 EAN 8422248096942



- 8 Kgs capacity
- 1400 rpm
- Energy class B
- Washing programs: 16
- Display, program delay 24h, duration and remaining time
- Special programs : Express 15', Hand Wash, Baby Care, Sports, Mix, Wool, My Cycle.
- Special functions: Extra rinse, prewash
- Foam reduction automatic system
- Children safety lock
- Independent selection of temperature and spin speed
- Automatic foam reduction system
- Self balanced load



<b>Code</b>	07900002
<b>EAN</b>	8422248096942
<b>Model</b>	LI 08014 / A
<b>Finish</b>	Built-in
<b>Product fiche according to EU Regulation 2019/2023</b>	
Rated capacity (kg)	8
Height (cm)	83
Width (cm)	60
Depth (cm)	54
Energy Efficiency Index (EEl)	60
Energy efficiency class (l)	B
Cleaning performance index	1,04
Rinsing effectiveness (g/kg)	5
Energy consumption in kWh [per cycle], based on the ECO programme (2)	0,545
Water consumption in litres [per cycle], based on the ECO programme (3)	48
Maximum temperature inside the treated textile (°C) - Rated Capacity	37
Maximum temperature inside the treated textile (°C) - Half Capacity	33
Maximum temperature inside the treated textile (°C) - Quarter Capacity	23
Remaining moisture content (%) - Rated capacity	53
Remaining moisture content (%) - Half capacity	53
Remaining moisture content (%) - Quarter capacity	53
Spin speed (rpm) - Rated capacity	1400
Spin speed (rpm) - Half capacity	1400
Spin speed (rpm) - Quarter capacity	1400
Spin-drying efficiency class (4)	B
Programme duration (h:min) - Rated capacity	3 : 38
Programme duration (h:min) - Half capacity	2 : 48
Programme duration (h:min) - Quarter capacity	2 : 48
Type	Built-in
Airborne acoustical noise emissions in the spinning phase (dBA)	76
Airborne acoustical noise emission class (spinning phase)	B
Off-mode (W)	0,50
Standby mode (W)	1
Delay start (W)	4
<b>Product dimensions</b>	
Height min/max [mm]	830/850
Width [mm]	590
Depth [mm]	520
Adjustable legs	Yes
<b>Cabinet and door dimensions</b>	
Minimum cabinet height [mm]	840
Minimum cabinet width [mm]	600
Minimum cabinet depth [mm]	580
<b>General features</b>	
Loading type	Front
Motor type	Silence Inverter
Hatch door diameter [cm]	31
Drum type	Stainless Steel
Filter system	Accessible
Foam reduction system	Accessible
Load self adjustment	Yes
<b>Control</b>	
Control type	LED Digital Display
Independent washing temperature selection	Yes
Independent spinning speed selection	Yes
Delay start [h]	Yes
Start / Pause key	Yes
Countdown display	Yes
Washing cycle display	Yes
<b>Programmes</b>	
N° of programmes	16
Cotton	Yes
Sintetic	Yes
Delicates	Yes
ECO	Yes
Wool	Yes
Hand wash	Yes
Quick [min]	Yes
Mix	Yes
Sport clothes	Yes
Baby clothes	Yes
Customized	Yes
<b>Special functions</b>	
Prewash	Yes
Extra rinse	Yes
<b>Safety</b>	
Child-lock door	Yes
Anti-flooding system	Yes
<b>Power and water connection</b>	
Voltage range [V]	220-240
Frecuency [Hz]	50
Rated power [W]	1,950
Rated current [A]	10
Type of plug	Schuko
Power cord length [mm]	1,5
Inlet water hose length [mm]	1
Drain water hose length [mm]	1,6