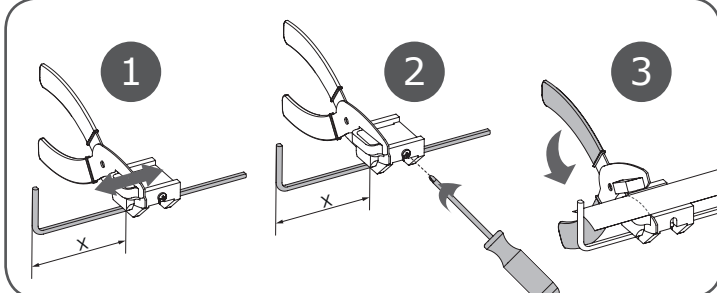
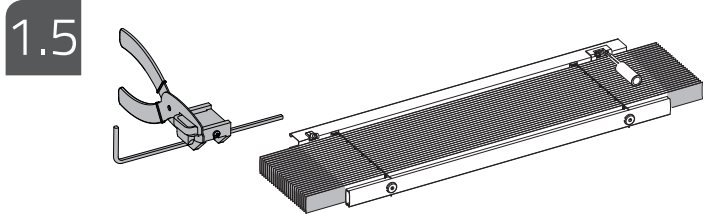
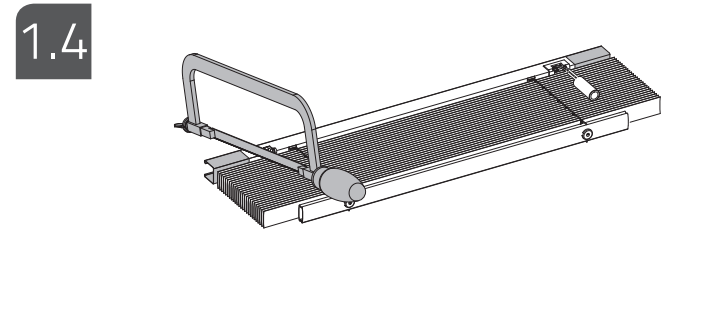
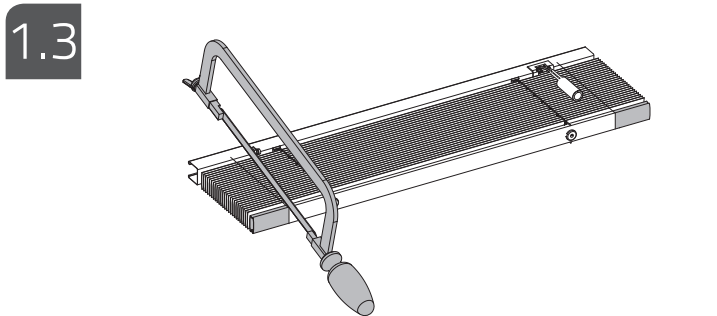
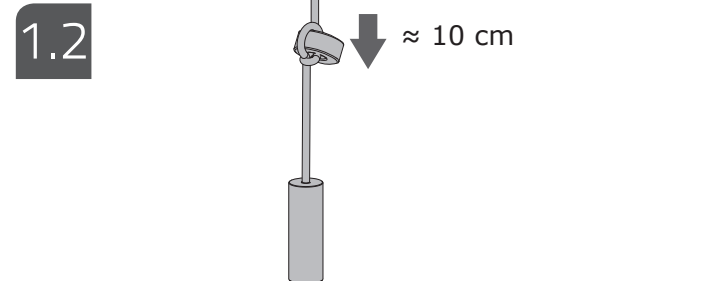
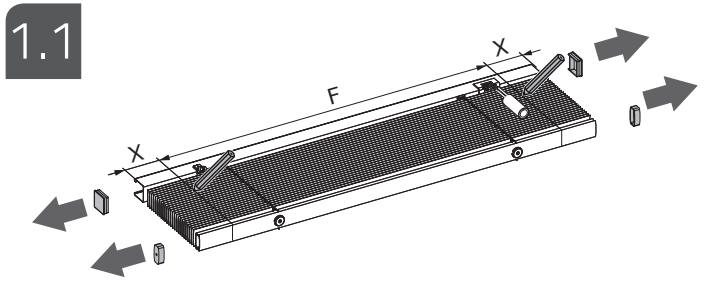
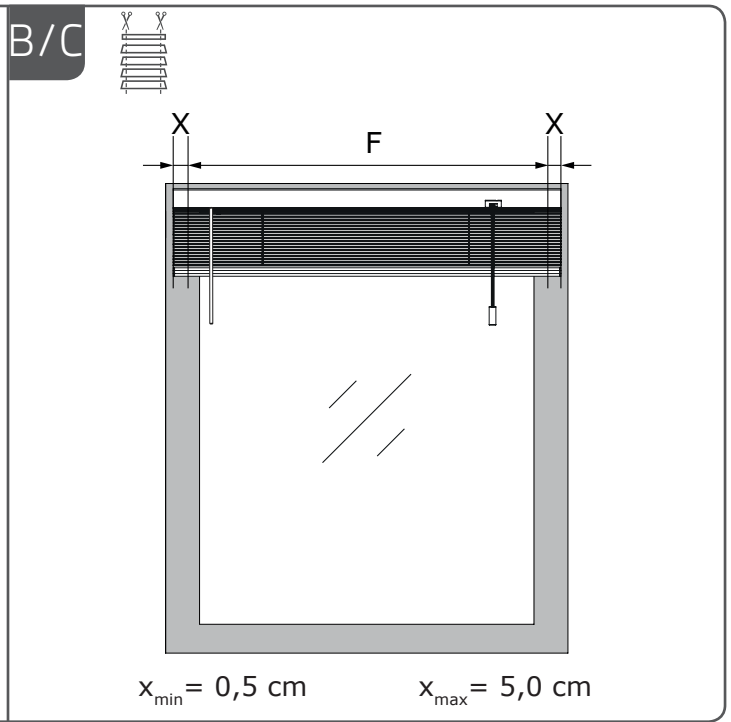
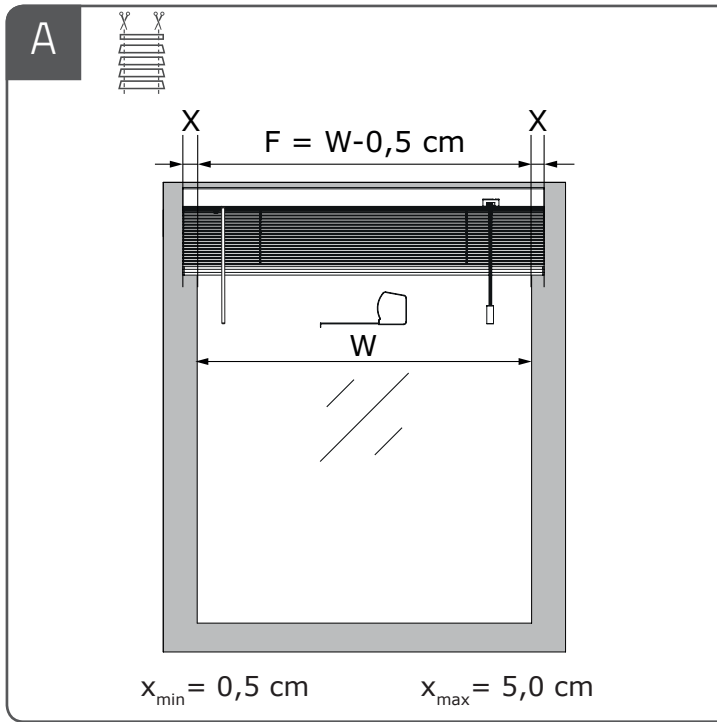
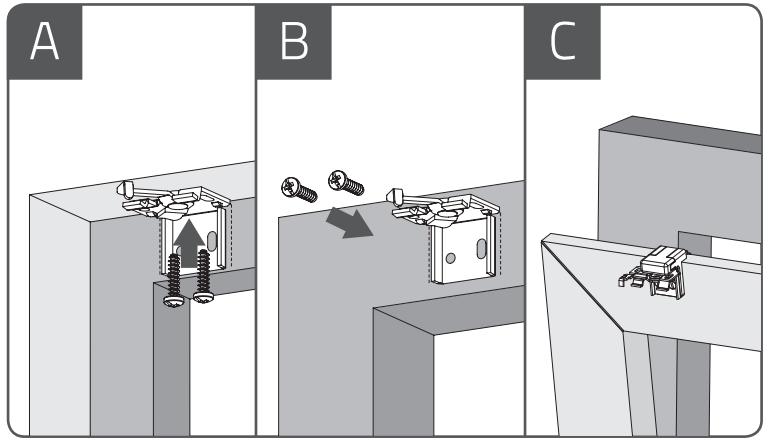
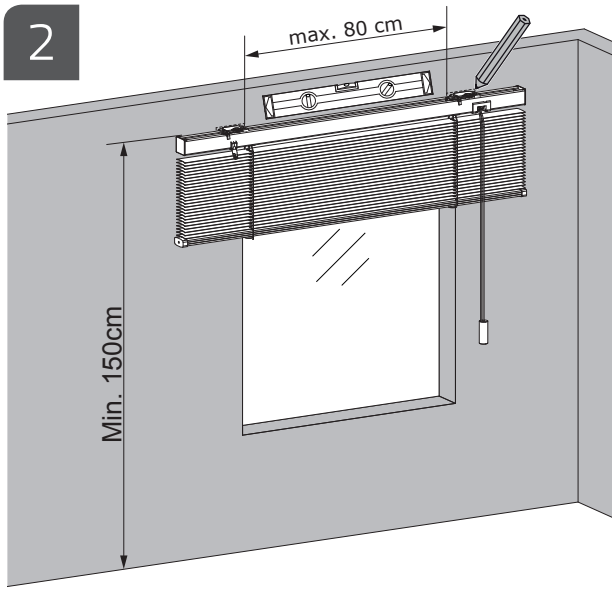


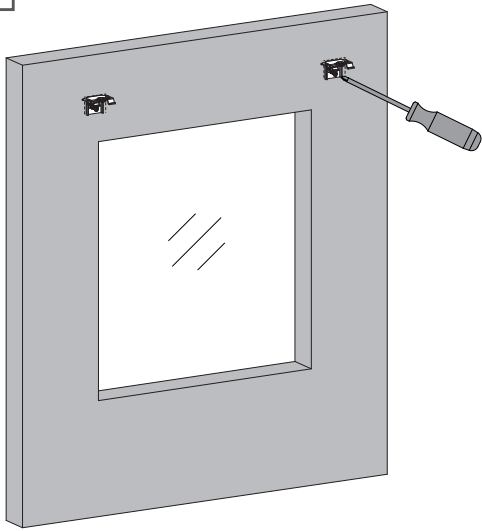
MN190111_20190917



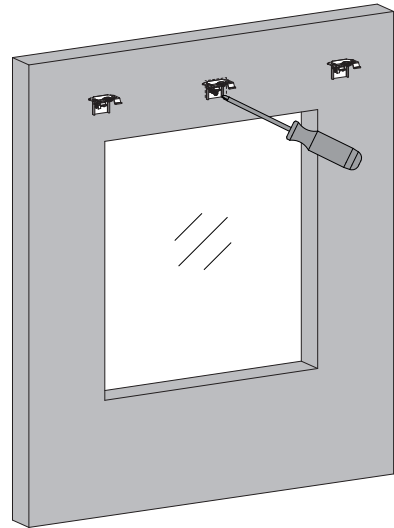
MN190111_20190917



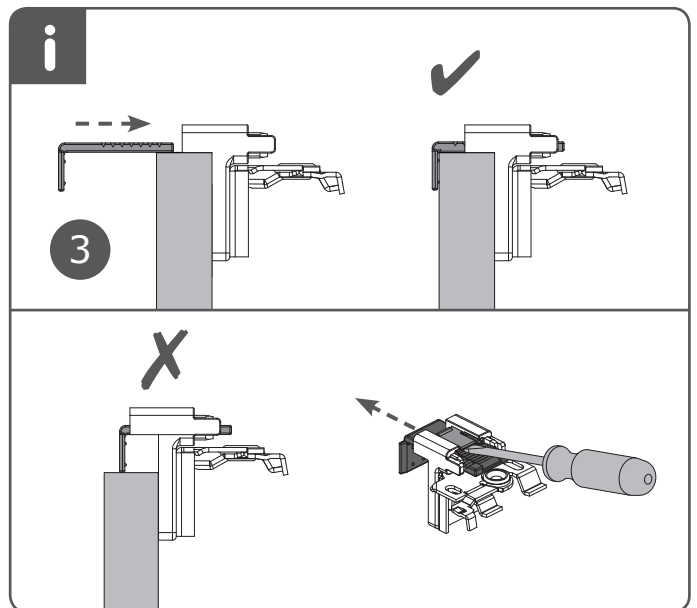
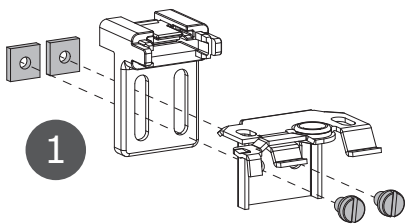
3 ≤ 140
A/B cm



3 > 140
A/B cm

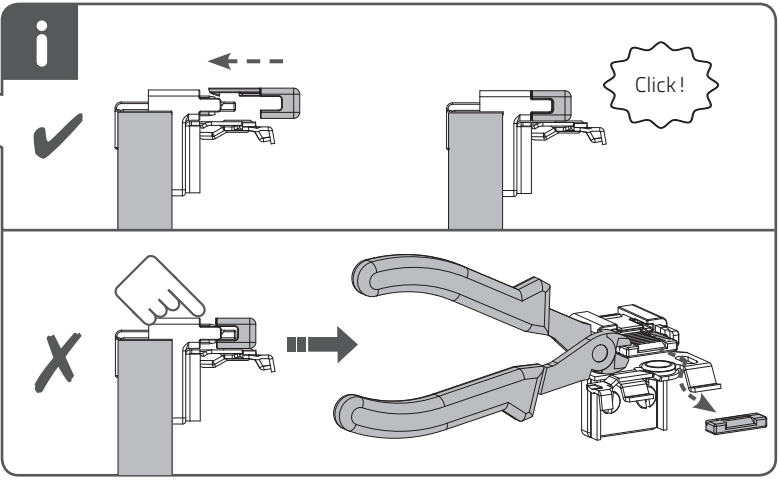
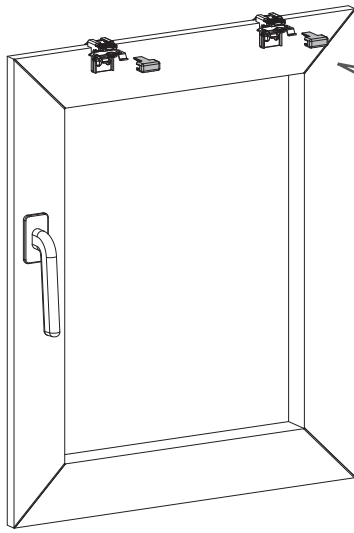


3C

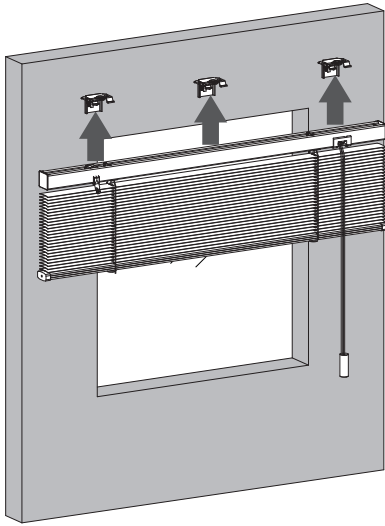


3C

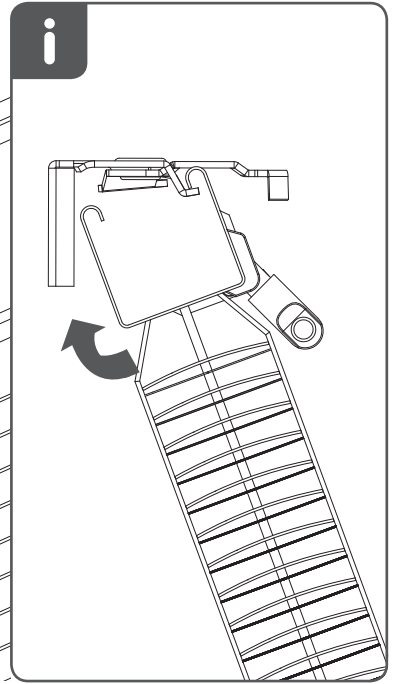
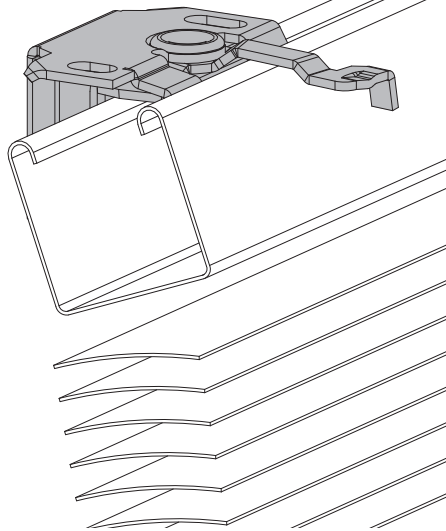
4



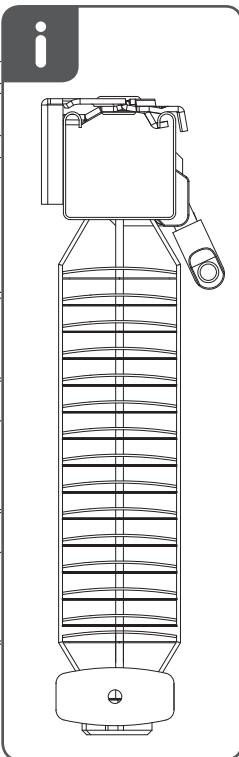
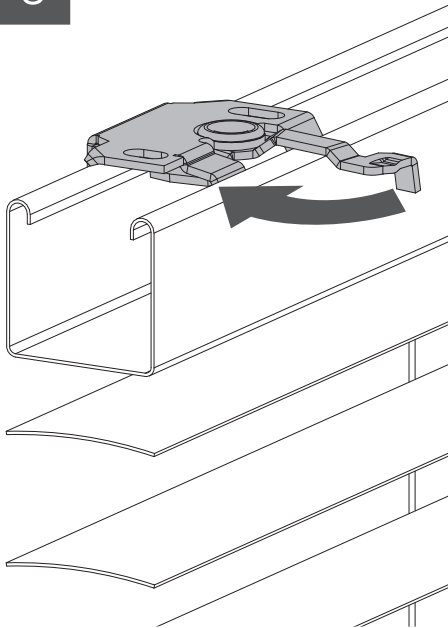
4



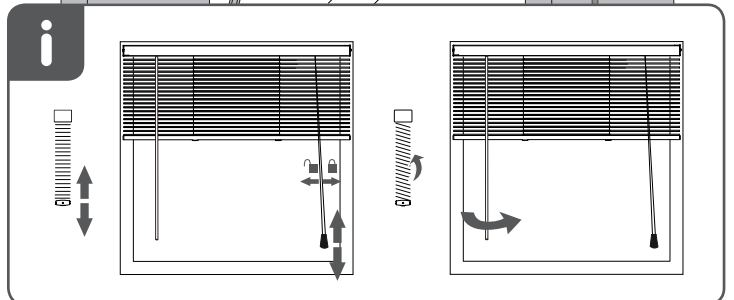
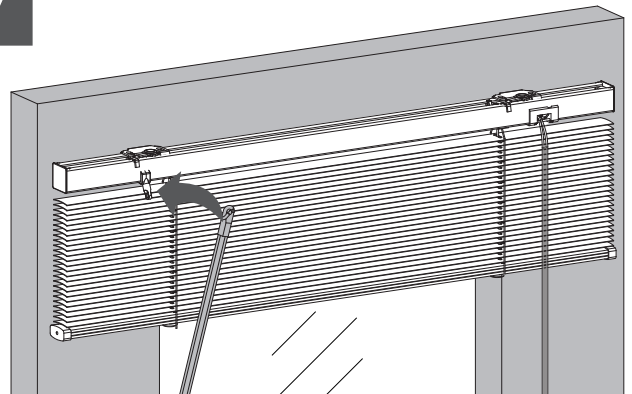
5



6



7



MN190111_20190917

