

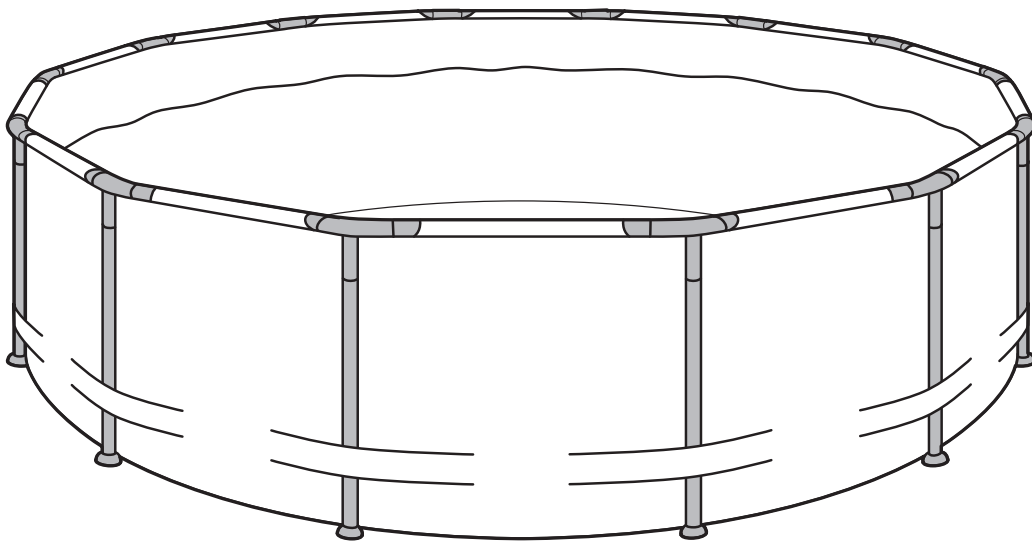
SUMMER WAVES™

USER MANUAL

EN

ELITE FRAME POOL

FOR ABOVE-GROUND SWIMMING POOLS
12' - 26' (3.66 m - 7.92 m) models



READ AND KEEP THESE INSTRUCTIONS FOR FUTURE REFERENCE

Should you encounter a problem with your Polygroup™ product, please DO NOT return the product to the place of purchase. All warranty claims must be made directly to Polygroup™. For any setup and troubleshooting issues, visit support.polygroupstore.com. You may be asked to return all or part of the product for inspection and/or repair. Do not return any product to Polygroup™ without a Return Merchandise Authorization Number.

DISTRIBUTED BY: Polygroup Pacific Limited
Unit 606, 6th Floor, Fairmont House,
8 Cotton Tree Drive, Central, Hong Kong.

TABLE OF CONTENTS

Warnings	3
Pool Safety Sign	7
Pool Cover Safety	7
Setup Instructions	8
Pool Maintenance & Drainage	9
Pool Storage & winterising	10

LIMITED WARRANTY

Polygroup Pacific Limited (hereinafter “Polygroup™”) makes products at the best quality we are able to offer. Polygroup™ is pleased to offer warranty for the repair or replacement of pool products for 90 days from the date of purchase. The provisions of this Limited Warranty only apply to the original purchaser. Please keep your original store sales receipt, as this proof of purchase will be required and must accompany warranty claims to Polygroup™ or its designated agents. This Limited Warranty does not apply without proof of purchase; or should the purchaser modify or repair the product themselves or by unauthorized people; use non-Polygroup™ parts or accessories with the product; use the product in contravention of the manufacturer’s instructions; use improper voltage; abuse the product in any way; or through accident or negligence. This Limited Warranty will not cover consequential damages, including claims for loss of water, pool chemicals, damage, or labor, normal wear-and-tear; nor acts of God outside the control of Polygroup™. Non-manufacturing defects, such as grasses that may grow through the ground cloth and/or pool liner are examples of which Polygroup™ cannot be held responsible for.

IN NO EVENT SHALL Polygroup™, ITS AUTHORIZED AGENTS, RELATED ENTITIES, OR EMPLOYEES BE LIABLE TO THE BUYER OR ANY OTHER PARTY FOR DIRECT OR CONSEQUENTIAL DAMAGES. Some states or countries, or other jurisdictions, do not allow the exclusion or limitation of incidental or consequential damages, so the above limitation or exclusion may not apply to you.

This Limited Warranty is not extended to close-outs, factory seconds, or resold products (i.e. garage sales, online auctions, or online retailers not purchased directly from Polygroup™). Any issues with items purchased from these types of vendors / sellers will need to be addressed through these stores. Items purchased from seasonal stores will be treated with an “All Sales Final” Policy.



IMPORTANT SAFETY INSTRUCTIONS

When installing and using this product, basic safety precautions should always be followed, including the following:

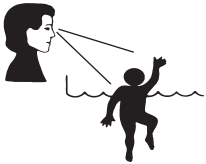
READ AND FOLLOW ALL INSTRUCTIONS

Failure to follow these warnings and instructions can result in serious injury or death

⚠ WARNING

PREVENT DROWNING!

Watch children at all times. Follow all safety rules.



NO DIVING! NO JUMPING!

Shallow Water - You can be permanently injured.



DO NOT SIT ON OR LAY OVER POOL WALL

You can be permanently injured.



AVOID ENTRAPMENT!

Stay away from suction fittings. You may drown.



Please read carefully and keep for future reference

- Set up the pool only on LEVEL, FLAT, STABLE, and COMPACT soil.
- Remove sharp objects from the ground that may puncture the pool (e.g. hardy grasses, stones, loose nails, twigs, etc.)
- DO NOT set up the pool on sand or concrete surfaces.
- Excessive sand inside the pool will DAMAGE the pool liner and filtration system. Failure to follow these instructions will void the warranty.



Notice: Customers who purchase pools may be required by local or state law to incur additional expenses when installing a pool, in order to comply with state or local laws regarding fencing and other safety requirements. Customers should contact their local building code enforcement office for further details. Polygroup™ is not responsible for any additional expenses that may incur.

⚠ WARNING

Carefully read, understand, and follow all information in this user manual before installing and using the swimming pool. These warnings, instructions, and safety guidelines address some common risks of water recreation, but they cannot cover all risks and dangers in all cases. Always use caution, common sense, and good judgment when enjoying any water activity.

Non-Swimmers Safety

1. Continuous, active, and vigilant supervision of weak swimmers and non-swimmers by a competent adult is required at all times (remembering that children under 5 years old are at the highest risk of drowning);
2. Designate a competent adult to supervise the pool each time it is being used;
3. Weak swimmers or non-swimmers should wear personal protective equipment (PPE) when using the pool;
4. When the pool is not in use, or unsupervised, remove all toys from the swimming pool and its surrounding to avoid attracting children to the pool.
5. When the pool is not in use, remove all toys and other objects from its surroundings, including those that could be used by a child to facilitate access into the pool (such as chairs, big toys, etc.).

Safety Devices

1. It is recommended to install a barrier (and secure all doors and windows, where applicable) to prevent unauthorised access to the swimming pool;
2. Barriers, pool covers, pool alarms, or similar safety devices are helpful aids, but they are not substitutes for continuous and competent adult supervision.

Safety Equipment

1. It is recommended to keep rescue equipment (e.g. a ring buoy) by the pool;
2. Keep a working phone and a list of emergency phone numbers near the pool.

Safe Use of Pool

1. Encourage all users especially children to learn how to swim;
2. Learn Basic Life Support (Cardiopulmonary Resuscitation - CPR) and refresh this knowledge regularly. This can make a life-saving difference in the event of an emergency;
3. Instruct all pool users, including children, what to do in case of an emergency;
4. Never dive into any shallow body of water. This can lead to serious injuries or death;
5. Do not use the swimming pool when using alcohol or medication that may impair your ability to safely use the pool;
6. When pool covers are used, remove them completely from the water surface before entering the pool;
7. Protect pool occupants from water-related illnesses by keeping the pool water treated and practising good hygiene. Consult the water treatment guidelines in the user's manual;
8. Store chemicals (e.g. water treatment, cleaning or disinfection products) out of the reach of children;
9. Removable ladders shall be placed on a horizontal surface (if applicable).
10. Find an appropriate location to prevent the hazard of drowning of young children, install the pool in a place where it is possible for the supervision to be constant.
11. Replace water regularly according to the manufacturer's recommendations, as well as based on the water's hygiene conditions, cleanliness, clarity, odor, and if any debris or stains are present in the pool. Use of chemicals in a pool without water circulation may result in an individual coming in direct contact with the chemicals, such as in areas of the pool with a high chemical concentration, resulting in injury to the user.
12. If chemicals are occasionally used to reduce the frequency of water replacement, follow the chemical manufacturer's instructions closely (make sure to never use more than the recommended amounts stated), and ensure chemicals are mixed appropriately to avoid personal injuries. Store chemicals out of reach of children.
13. The use and installation of any electrical appliances around the pool should be in accordance with national regulations.
14. Remove any means of access to and from the pool and store them out of reach of children whenever the pool is not in use.
15. Use of accessories not approved by the pool manufacturer (including but not limited to ladders, covers, pumps, etc.) may result in personal injury and/or property damage.
16. Irrespective of materials used for swimming pool construction, accessible surfaces have to be checked regularly to avoid personal injury.

Ladder (if applicable)

1. Check all nuts and bolts for tightness and tighten when required (if applicable).
2. Maximum allowable weight: 150 kg (331 lbs).
3. Ladder shall not be used for other purposes.

Safety Care for Children

1. Assign an adult to be responsible for watching children in the pool.
2. Pool presents a drowning hazard even during filling and draining of the pool. Maintain constant supervision of children and do not remove any safety barriers until the pool is completely empty and stowed away.
3. Children, especially younger than five years old, are at high risk of drowning. Drowning occurs silently and quickly and can occur in as little as 5 cm (2") of water.
4. Keep children in your direct sight, stay close, and actively supervise them when they are in or near this pool and when you are filling and emptying this pool.
5. When searching for a missing child, check the pool first, even if child is thought to be in the house.
6. Do not leave toys inside the pool when finished using, since toys and similar items might attract a child to the pool. Position furniture (e.g. tables, chairs) away from pool, so that children cannot climb on it to gain access to the pool. After using pool, remove water to a level of 1 cm (0.5") or less.
7. Locate pumps and filters in such a way that children cannot climb on them and gain access to the pool.

Swimming Pool Awareness

1. Assembled by adults only; care should be taken when unpacking and assembling the pool; this pool may contain accessible potentially hazardous sharp edges or points that are necessary for the pool.
2. The floor of the pool shall be visible at all times from the outside perimeter of the pool.
3. Never allow horseplay, diving, or jumping into or around the pool. Serious injury, paralysis, or death could result when this rule is disregarded. DO NOT ALLOW anyone to swim alone without supervision.

NOTE: This pool has a maximum water fill level marked on the inside wall. Do not overfill; drain to proper level.

EMPTYING POOL: Push down on side wall and/or lift up one side of pool to empty pool water.

- NOTE:**
1. Pool can be cleaned with mild soap and lukewarm water only.
 2. Make sure pool is completely dry before storing to help prevent mildew from forming.
 3. Store all parts in a dry heated area where temperatures do not go below 0°C (32°F).

Warning

TO AVOID DANGER OF SUFFOCATION: Keep the plastic bag used in this product away from babies and children; do not use the bag in cribs, beds, carriage, or playpens. The plastic bag could block nose and mouth and prevent breathing. The plastic bag is not a toy.

1. Only for domestic use.
2. Place the product on a level surface at least 2 m (79") from any structure or obstruction such as a fence, garage, house, overhanging branches, laundry lines or electrical wires.
3. One person needed to install the product.
4. Installation time is around 15 to 45 minutes (excluding earthworks and filling).
5. Prohibit running and lively games around the swimming pool.
6. Always maintain clear, healthy water.
7. Do not leave the drained pool outside. The empty pool is liable to become deformed and/or displaced due to wind.
8. For outdoor use only.
9. Never leave your child unattended - drowning hazard.
10. Children can drown in very small amounts of water. Empty the pool when not in use.
11. Do not install the paddling pool over concrete, asphalt or any other hard surface.
12. Do not modify this product and/or use any parts and accessories not supplied by the manufacturer.

Diving Risk

Do not dive into this pool. Diving into shallow water can result in a broken neck, paralysis, or death.

Electrocution Risk

1. Keep all electrical lines, radios, speakers, and other electrical appliances away from the pool.
2. Do not place pool near or under overhead electrical lines.

Special Warning

1. Local building codes may require obtaining a building or electrical permit. Users should follow regulations on setback, barriers, devices, and other conditions.
2. DO NOT attempt to assemble this pool in extreme weather conditions, windy conditions, or when the temperature is below 16°C (60°F).
3. This is a storable pool, which should be disassembled and stored when temperatures are expected to fall below 0°C (32°F).
4. For filtration, the safety instructions shall indicate that the pool must not be used when the filtration system(s) is/are damaged (if applicable).

Ensure that you have an accessible telephone close to the pool so that you do not have to leave your children unattended while you phone. In the event of an accident:

1. Remove the child from the water as quickly as possible;
2. Immediately call the emergency services and follow the instructions they give you;
3. Replace wet clothing with warm blankets;
4. Memorise emergency phone numbers and display them near the swimming pool:
 - a. Fire brigade;
 - b. Emergency medical service;
 - c. Poison control centre.

As the pool owner, you are responsible for those persons who use your pool. Therefore:

1. Never leave your children and other non-swimmers unattended in and around the pool;
2. Ensure that the water is hygienically clean;
3. Refresh your knowledge of first-aid measures at regular intervals;
4. Store water treatment media out of the reach of children;
5. Discuss the rules of conduct with your children prior to them using the swimming pool and explain the risks that can arise when around water once they are of a sufficient age;
6. Contact your pool installer if you have any questions regarding safe use of the swimming pool.

The following items of equipment can provide additional pool safety. Your swimming pool specialist can advise you on:

- Safety cover;
- Fencing around the pool with a lockable gate;
- Pool alarm system;
- Enclosure.

The general safety information cannot account for all circumstances in individual cases. You are best aware of the swimming abilities and the conduct of your children and of other guests using your pool, as well as the site particulars. You should therefore employ further measures to ensure safety at the pool if necessary. Such measures may for example include additional supervisory persons if the pool is being used by a number of non-swimmers at the same time.

Pool Maintenance

1. Empty pool completely after each use and store the empty pool in such a way that it does not collect water from rain or any other source.
2. After using pool, remove water to a level of 1 cm (0.5") or less.
3. Carrying out checks and maintenance of the main parts every hour.
4. These checks are not carried out the product could overturn or otherwise become a hazard.
5. Check all nuts and bolts for tightness and tighten when required (if applicable).
6. Check all coverings for bolts and sharp edges and replace when required (if applicable).
7. Replace defective parts in accordance with the manufacturer's instructions.
8. Change the water of product frequently (particularly in hot weather) or when noticeably contaminated.

POOL SAFETY SIGN

POST THIS WARNING NEAR YOUR POOL

WARNING

NO DIVING OR JUMPING SHALLOW WATER

DIVING MAY RESULT IN PERMANENT INJURY OR DEATH



- Be Safe.
- Children must be accompanied by an adult.
- Don't swim when using alcohol or drugs.
- Be familiar with the pool before swimming.
- No running, jumping, or fooling around in or around the pool.
- No glass in pool area.



TO AVOID SERIOUS INJURY ALL POOL USERS MUST KNOW AND FOLLOW THESE SAFETY RULES.

POOL COVER SAFETY

IF YOU ARE GOING TO USE A POOL COVER, SOLAR COVER, OR SOLAR BLANKET, PLEASE READ THIS INFORMATION.

POOL COVER WARNING / SOLAR COVER WARNING / SOLAR BLANKET WARNING

WARNING

AVOID RISK OF DROWNING

STAY OFF THE COVER AND BLANKET - IT WILL NOT SUPPORT WEIGHT.

KEEP CHILDREN AWAY. CHILDREN OR OBJECTS CANNOT BE SEEN UNDER THE COVER AND BLANKET.

REMOVE STANDING WATER - CHILDREN CAN DROWN ON TOP OF THE COVER.

REMOVE COVER AND BLANKET COMPLETELY BEFORE ENTRY OF SWIMMERS - AVOID ENTRAPMENT.

NON-SECURED OR IMPROPERLY SECURED COVERS AND BLANKETS ARE A HAZARD.

FAILURE TO FOLLOW ALL INSTRUCTIONS MAY RESULT IN INJURY OR DROWNING.

THIS IS NOT A SAFETY COVER.

INSTALL COVER AND BLANKET WITH LABELS FACING UP.

USE DRAWSTRING TO SECURE COVER TO POOL. THIS COVER MEETS REQUIREMENTS DESCRIBED IN SPECIFICATION F-1346 (ASTM).

IMPORTANT

DO NOT USE A POOL COVER, SOLAR COVER, OR SOLAR BLANKET ON THIS POOL IF IT DOES NOT HAVE THIS TYPE OF WARNING LABEL ON THE COVER.

DANGER

COMPETENT SUPERVISION AND KNOWLEDGE OF THE SAFETY REQUIREMENTS ARE THE ONLY WAYS TO PREVENT DROWNING OR PERMANENT INJURY WHEN USING THIS PRODUCT! NEVER LEAVE YOUNG CHILDREN UNATTENDED.

SETUP INSTRUCTIONS

Before assembling your product, please take a few minutes to check the contents and become familiar with all the parts.



WARNING - DO NOT overfill the pool and/or allow people to lay over or sit on the pool wall - DOING SO CAN CAUSE PERMANENT INJURY! Drain the pool to the proper level after heavy rain.

TIP: It will be much easier to install your pool if you unfold it and let it lay in direct sunlight for about 2 hours prior to installation. This will help ensure a wrinkle-free fit because the pool material will be more pliable, allowing it to form into shape during installation.

WARNING - IMPORTANT! SITE MUST BE LEVEL, STABLE, COMPACTED SOIL.

- The pool must be assembled on a smooth and level site of firm soil that is free of stones, gravel, sticks, blacktop, or other oil-based compounds.
- Before setting up your pool, it is recommended that you clear the area of hardy grasses. Certain types of vigorous grasses such as St. Augustine and Bermuda can grow through the liner. A ground sheet or tarp may be helpful in preventing this from occurring. Grass growing through the liner is not covered under warranty.
- Do not install the pool on a wooden deck or any type of wooden surface. You cannot use sand and/or uncompacted soil to provide a level surface for the pool; it will wash out.
- FAILURE TO FOLLOW ALL OF THESE INSTRUCTIONS WILL CAUSE THE POOL TO COLLAPSE AND WILL VOID THE WARRANTY!

Site Preparation

1. Select a level area, and completely remove all debris, twigs, stones, etc. DO NOT select an area under overhead electrical lines, trees, or within 4.57 m (15 ft) of a house, building, etc.
2. The pool shall be located a minimum distance of 1.83 m (6 ft) from any electrical receptacle.
3. Contact your local utilities, to check that no underground cables, telephone lines, gas lines, etc. run beneath the area you have selected.

Follow the steps as illustrated in "Setup Diagrams No.1 to 11" to set up your pool.

Not following the steps will result in an uneven pool when it is filled with water, and may cause the pool to lean on one side and collapse. Your pool should be straight and verticle to the ground. If you pool is leaning at all, the ground may not be levelled and you will need to set up the pool again.

Failure to follow the instructions above will cause pool to collapse and will void the warranty!

Note

IMPORTANT: Before adding water to your pool, you must first install the pool wall fittings or an entire filtration system.

If your pool includes openings or if you plan on purchasing a filter pump system, position the suction and return fitting locations so they are 10 to 21 feet from the electrical outlet you plan to use for the pool filter pump.

If your pool came with fittings, install both the suction and return fittings to the pool wall before filling the pool with water.

Refer to the filter pump's instruction manual for the steps to set up the fittings.

The black rubber gasket (Fitting Gasket) should always be slid over the threaded plastic suction or return fitting, and also be on the inside of the pool before the fitting is placed through the pool wall to make a secure watertight connection. Make sure both the water cap and the service plug is secure when you fill up your pool with water, or when you are ready to add a filtration system.

POOL MAINTENANCE & DRAINAGE



CAUTION: ALWAYS FOLLOW THE CHEMICAL MANUFACTURER'S DIRECTIONS AND THE HEALTH AND HAZARD WARNINGS.

Do not add chemicals if the pool is occupied. This can cause skin or eye irritation. Concentrated chlorine solutions can damage the pool liner. In no event is Polygroup™, the buyer/retailers, or any other party liable for costs associated with the loss of pool water, chemicals, or water damage. Keep spare filter cartridges on hand. Replace cartridges every two weeks. We recommend the use of Polygroup™ Filter Pump with all of our above-ground pools. To purchase a Polygroup™ Filter Pump or other accessories, visit our website at support.polygroupstore.com or call Polygroup™ Customer Services.

EXCESSIVE RAIN: To avoid damage to the pool and overfilling, drain rainwater that causes the water level to be higher than the FILL LINE immediately.

Drainage

Follow the steps as illustrated in "Drainage Diagrams No.1 to 3" to drain your pool.

Note

- Check the local regulations for the specific instructions regarding the disposal of the swimming pool water.
- Attach a 5/8" garden hose to the drain valve.
- Place the other end of the garden hose in an area where the water can be safely drained away from the house and other nearby structures.
- When the water stops draining, start lifting the pool from the side opposite to the drain valve to drain any remaining water and empty the pool completely.

Dismantle & Storage

Follow the steps as illustrated in "Dismantle & Storage Diagrams No.1 - 6" to dismantle and store your pool.

- Be sure that the pool and all parts are completely dry before storage. Sprinkle some talcum powder to prevent the vinyl from sticking together and to absorb any residual moisture.

POOL STORAGE & WINTERISING

This above-ground pool cannot be winterized and must be drained, disassembled, and properly stored if you live in an area where the temperature drops below 32°F (0°C). If you are in a warmer environment, please follow the instructions below.

After usage, you can easily empty and store away your pool in a safe place (see long term storage above). Some pool owners, in warmer climates however, may choose to leave their pool up all year round. In colder areas, where freezing temperatures occur, there can be a risk of ice damage to your pool. Leaving your above-ground pool set up in areas where the temperature drops below 0°C (32°F) voids the warranty.

Winterising Your Above-Ground Pool

1. Clean the pool water thoroughly.
2. Remove the skimmer (if applicable) or any accessories attached to the threaded strainer connector. Replace strainer grid if necessary. Be sure all accessories parts are clean and completely dry before storage.
3. Unplug the Inlet and Outlet fitting from the inside of the pool (if applicable).
4. Remove the ladder (if applicable) and store in a safe place. Be sure the ladder is completely dry before storage.
5. Remove the hoses that connect the pump and filter to the pool.
6. Add the appropriate chemicals for the winter period. Consult your local pool dealer as to which chemicals you should use and how to use them. This can vary greatly by region.
7. Cover pool with Polygroup™ Pool Cover. **IMPORTANT NOTE: Polygroup™ POOL COVER IS NOT A SAFETY COVER.**
8. Clean and drain the pump, filter housing, and hoses. Remove and discard the old filter cartridge. Keep a spare cartridge for the next season.
9. Bring pump and filter parts indoors and store in a safe and dry area, preferably between 0°C (32°F) and 40°C (104°F).