

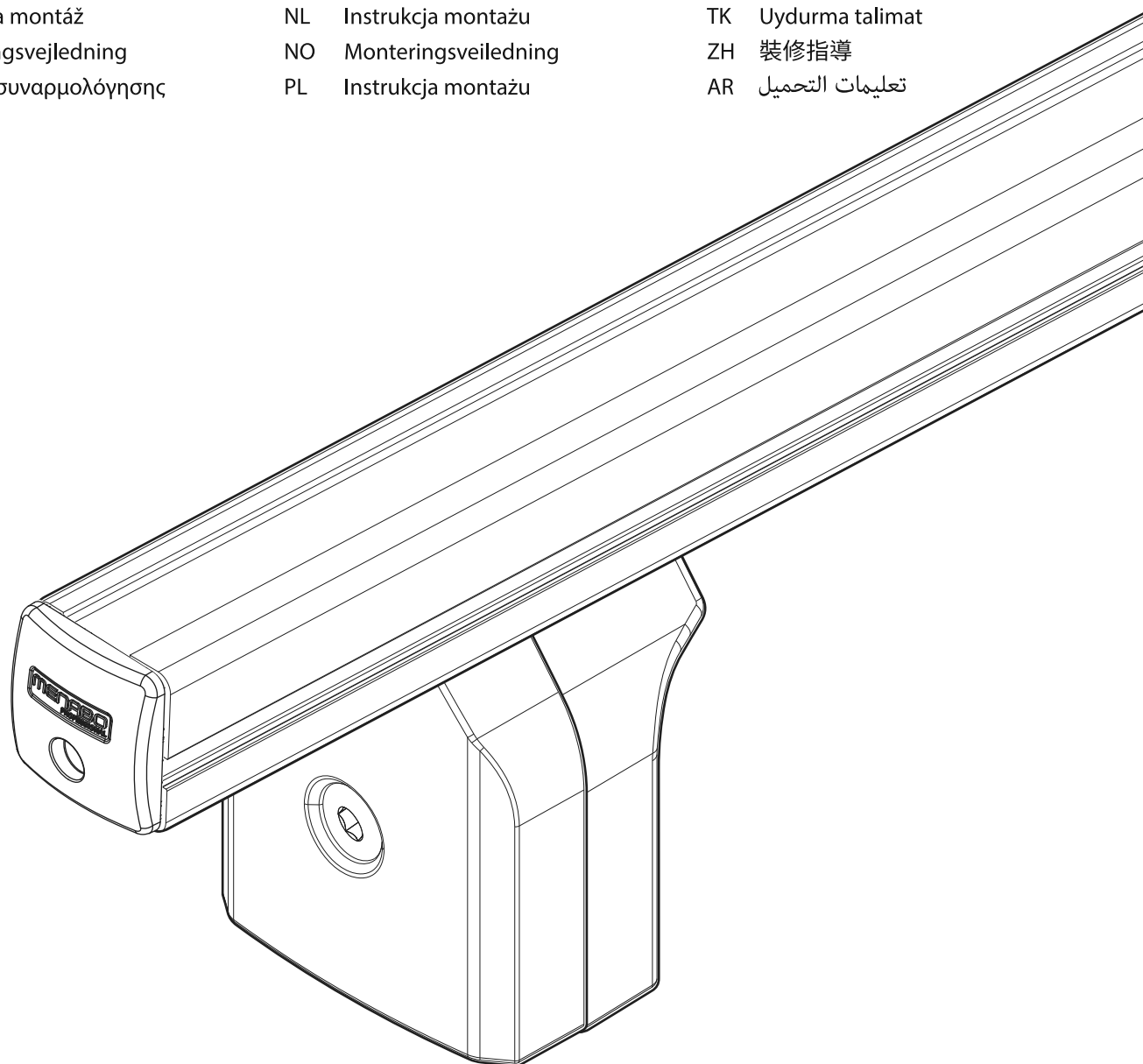
MENABO

free time on the move

FIX 605FP



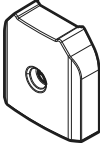
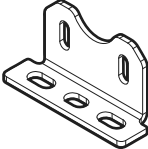








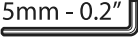

PROFESSIONAL

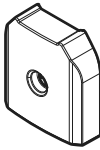







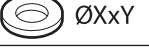

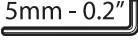

IT Istruzioni di montaggio	ET Paigaldusjuhend	PT Instruções de Montagem
EN Fitting instructions	FI Asennusohje	RO Instrucțiuni de montare
DE Montageanleitung	HR Uputa za sastavljanje	RU Инструкции по установке
FR Instructions de montage	HU A felszerelés módja	SK Návod na montáž
ES Instrucciones de montaje	LT Pritvirtinimo instrukcijos	SL Navodila za pritrdjevanje
BG инструкции за сглобяване	LV Stiprināšanas instrukcija	SV Monteringsanvisning
CS Návod na montáž	NL Instrukcja montażu	TK Uydurma talimat
DA Monteringsvejledning	NO Monteringsveiledning	ZH 裝修指導
EL Οδηγίες συναρμολόγησης	PL Instrukcja montażu	AR تعليمات التجميع




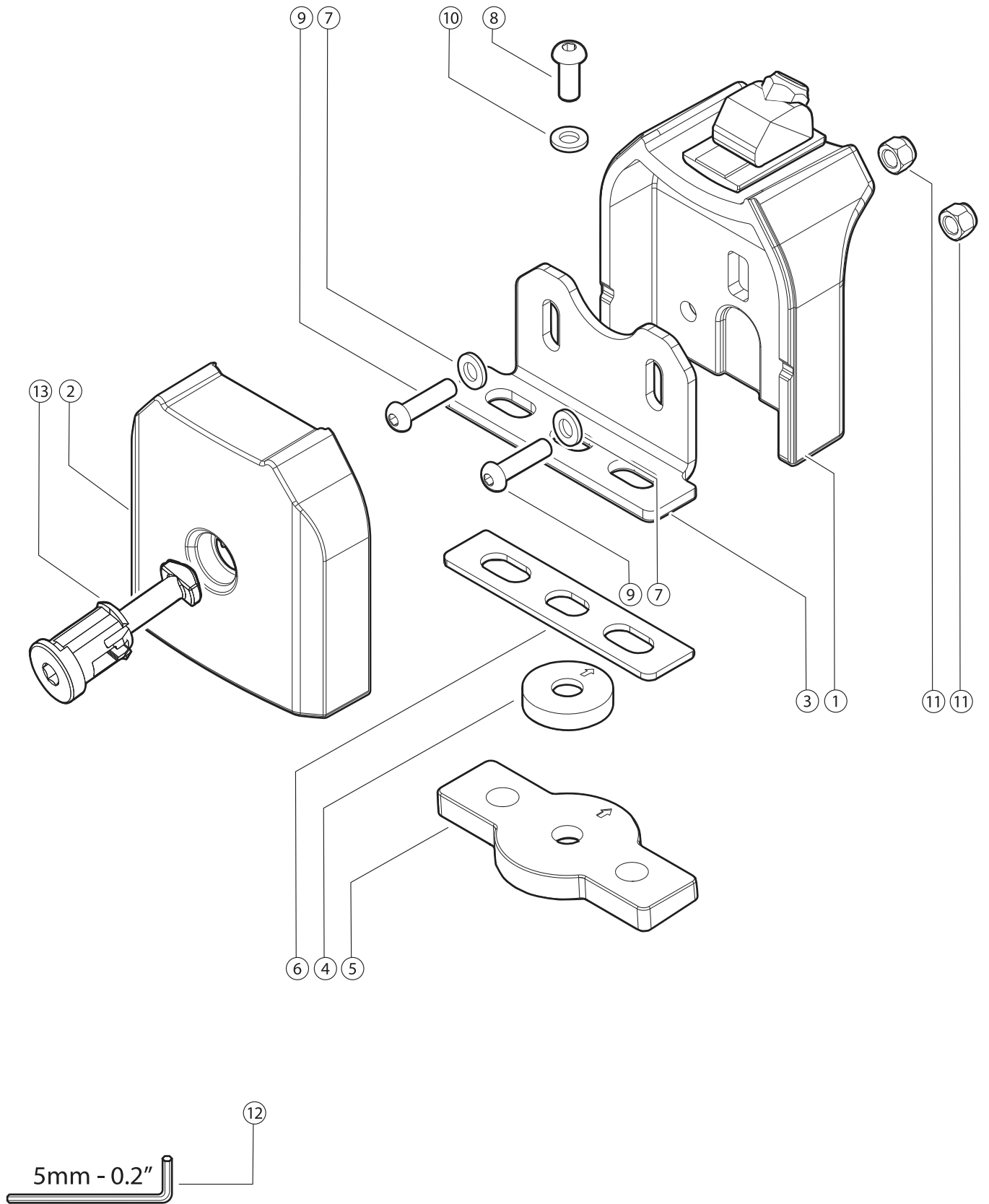
Made in Italy



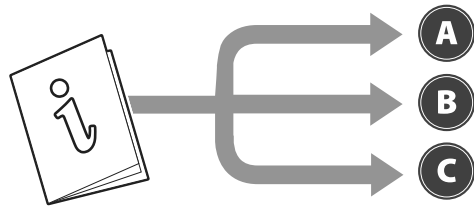
FIXING KIT		
N.	[IT]Componenti (Inclusi) [EN]Components (Included) [FR]Composants (Comprises) [DE]Die Komponenten (im Lieferumfang enthalten) [ES]Componentes (Incluido)	Q.
0		1
1		2
2		2
3		2
4		2
5		2
6		2
7		4
8		2
9		4
10		2
11		4
12		1
13		2

FIXING KIT			
N.	[IT]Ricambi (A Richiesta) [EN]Spare Parts (Made to order) [FR]Pièces de rechange (Sur commande) [DE]E Teile (auf Anfrage) [ES]Piezas de recambio (Previa solicitud)	Codice-Code-Código	Q.
2		700034200000	1
4		700034500000	2
5			2
6			2
13			2
7		700034300000	4
8			2
9			4
10			2
11			4
12		700025000000	1
13		700025300000	4

OPTIONAL KIT		
N.	Art.000084800000	Q.
14		4
15		4

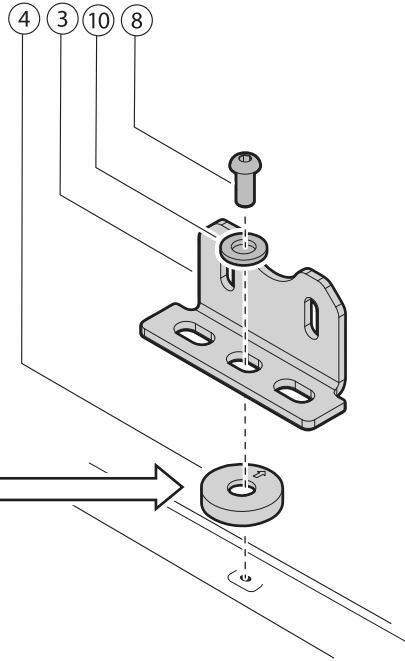
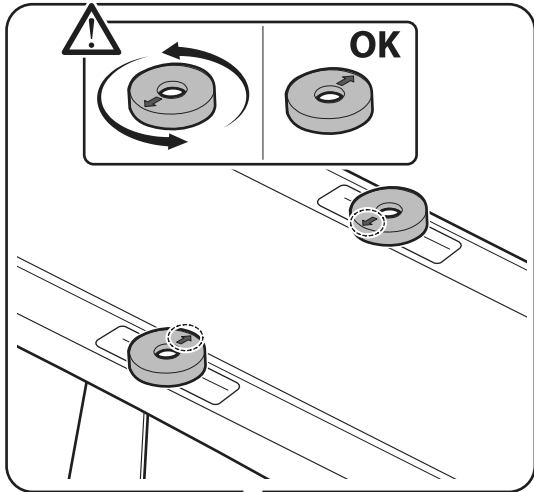


1

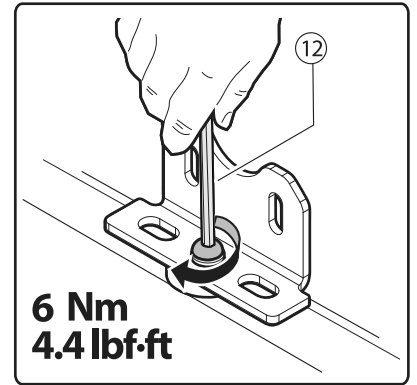


X2

A

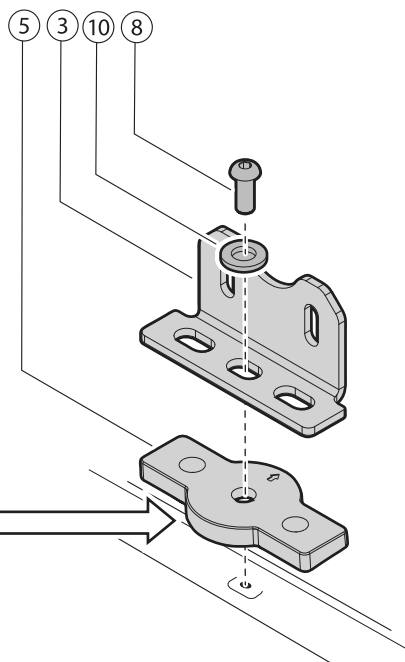
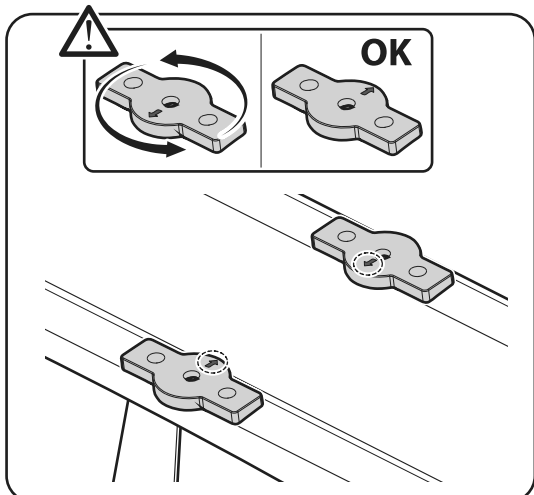


N.		Q.
3		2
4		2
8	MZxY	2
10	XxY	2

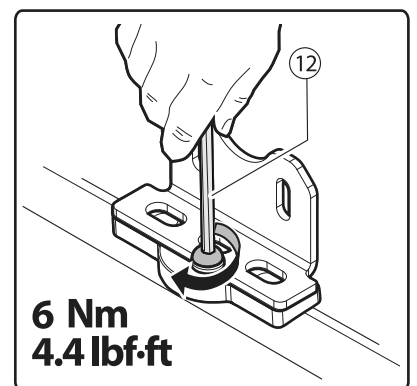


X2

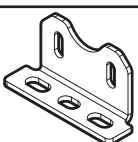
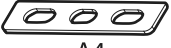


B

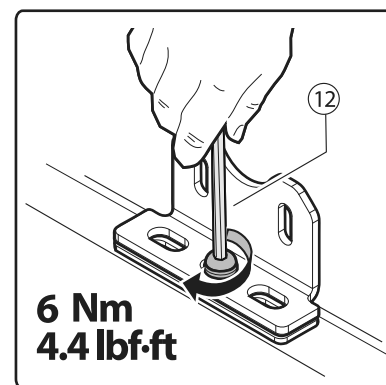
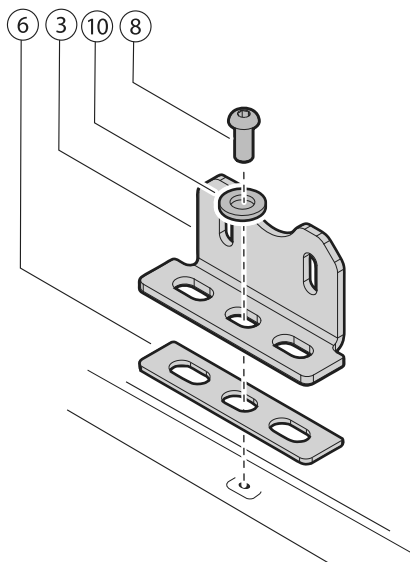


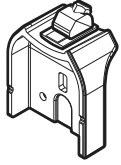



N.		Q.
3		2
5	A2	2
8	MZxY	2
10	XxY	2

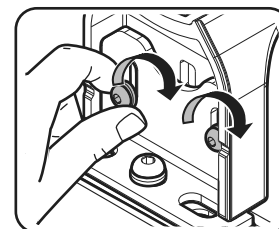
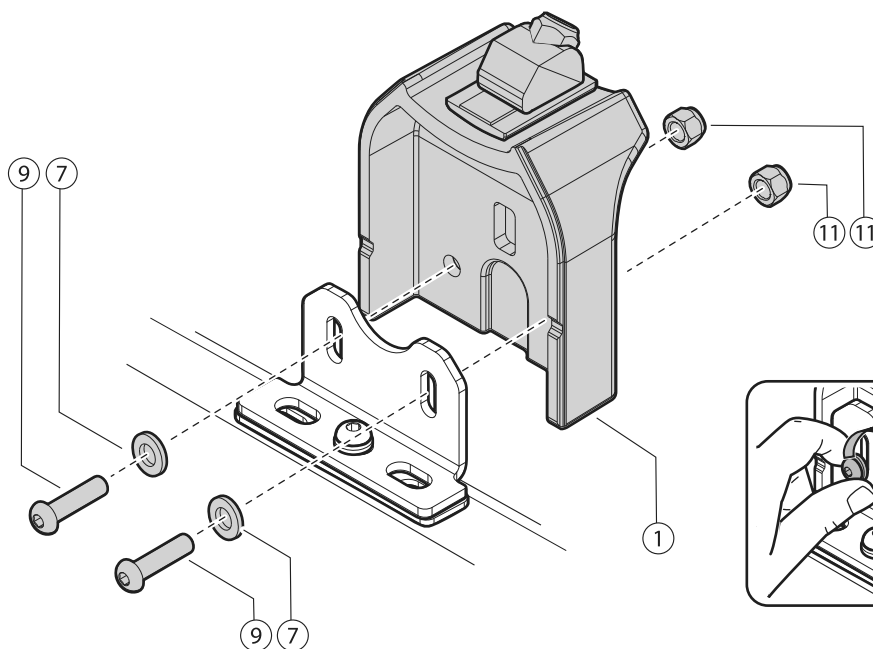
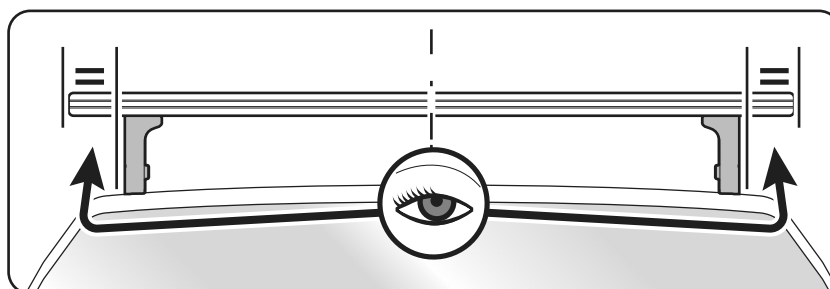
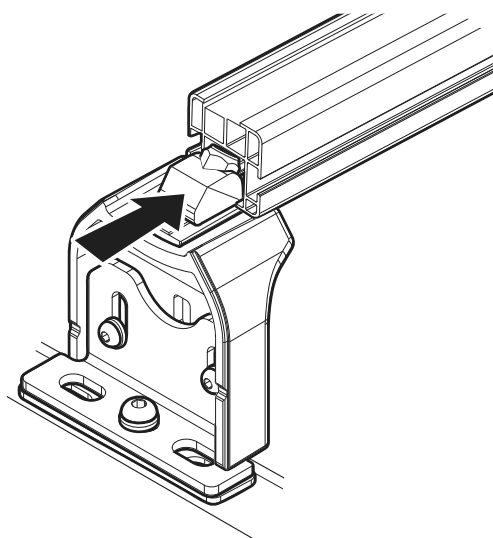


C**X2**

N.		Q.
3		2
6	 A4	2
8	 MZxY	2
10	 XxY	2

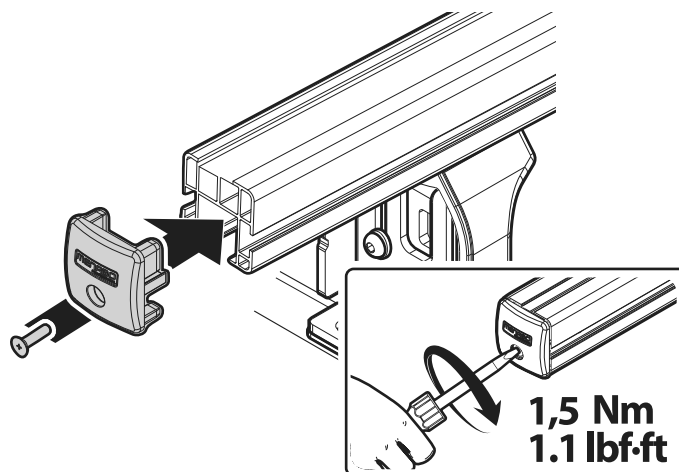
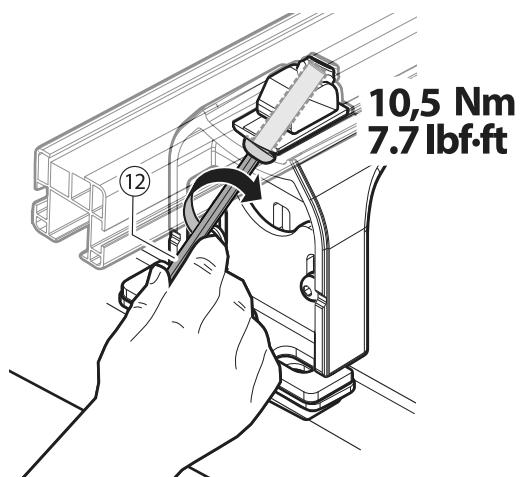
**2** **A** **B** **C****X2**

N.		Q.
1		2
7	 Ø6X18	4
9	 M6x16	4
11	 M6	4

**3**

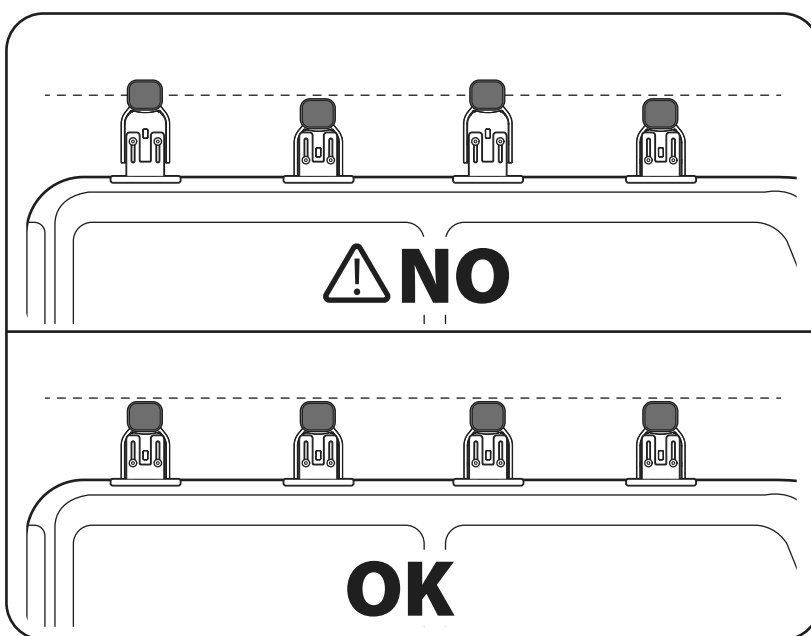
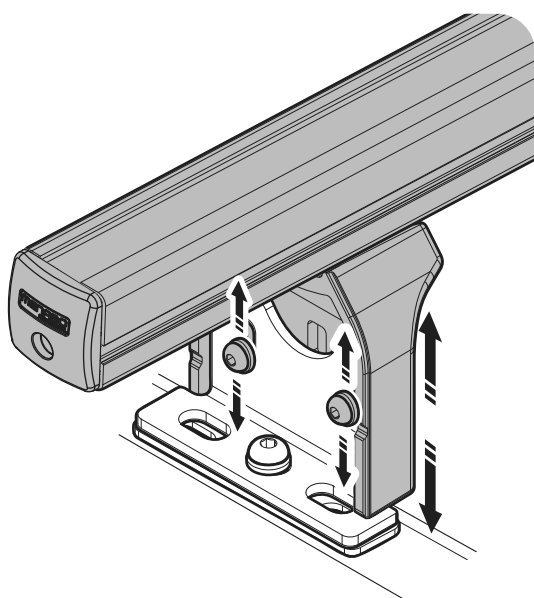
4

x2



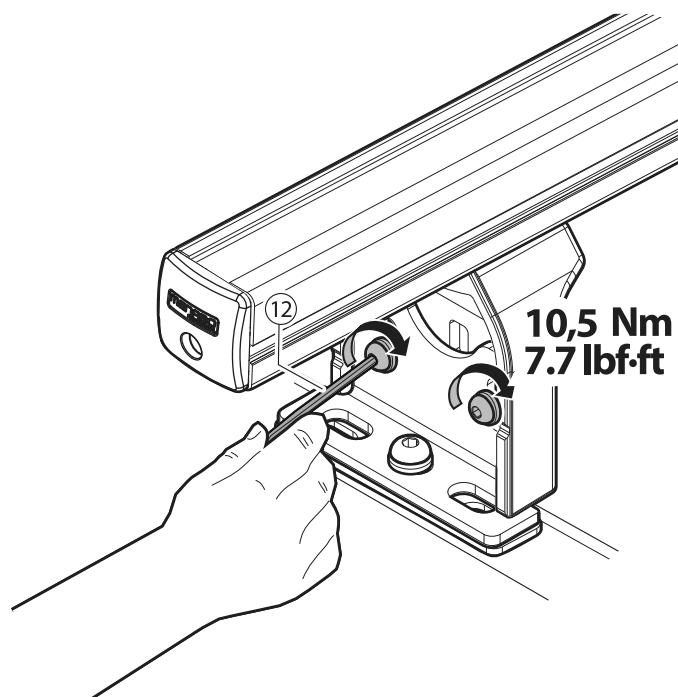
5

x2



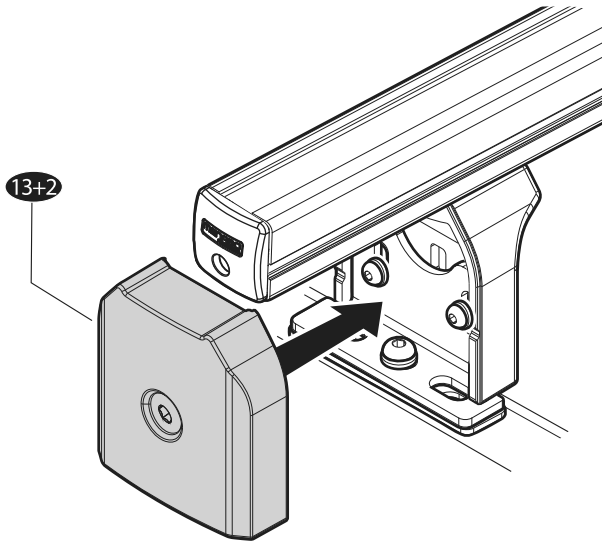
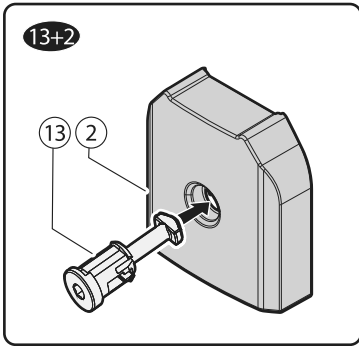
6

x2

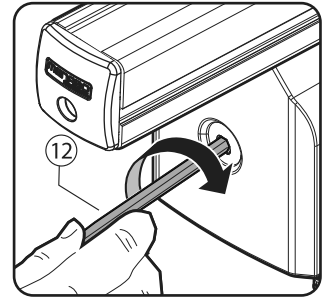


7

x2



N.		Q.
2		2
13		2

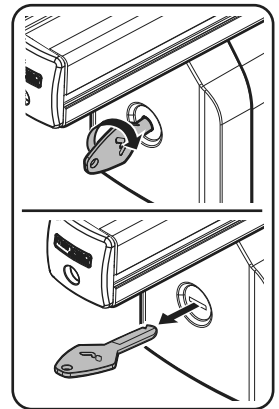
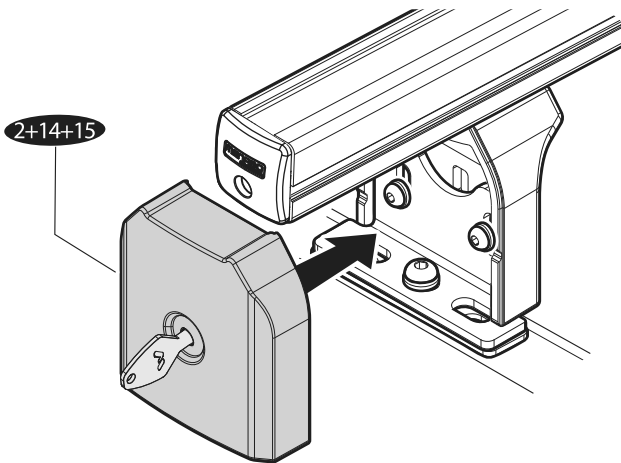
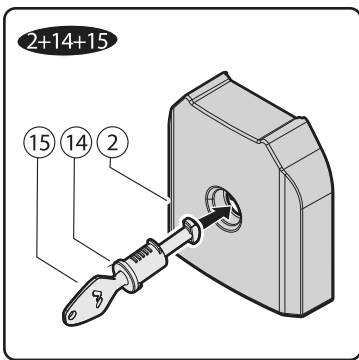


7b

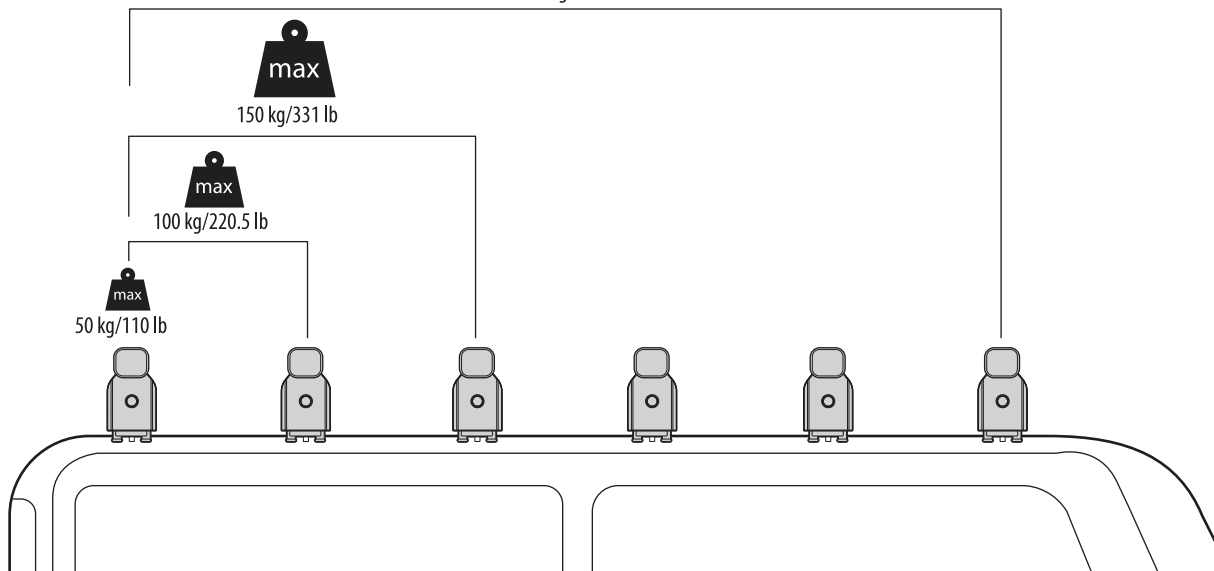
OPTIONAL KIT

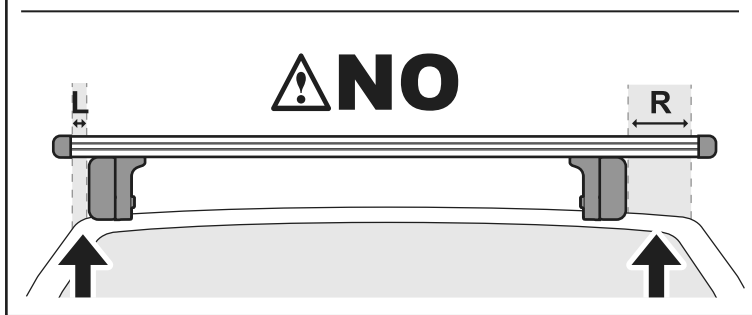
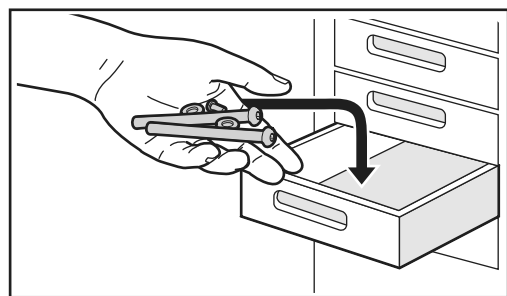
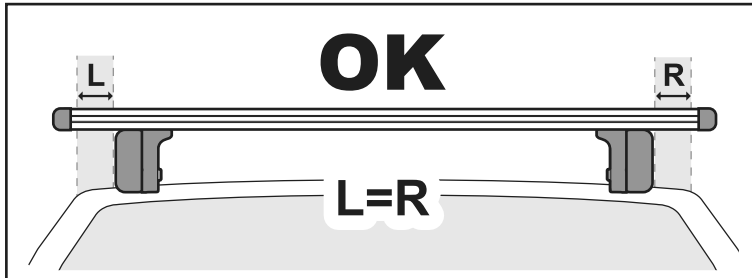
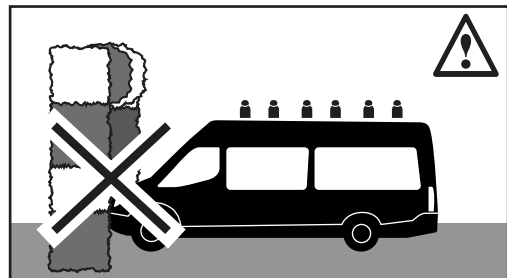
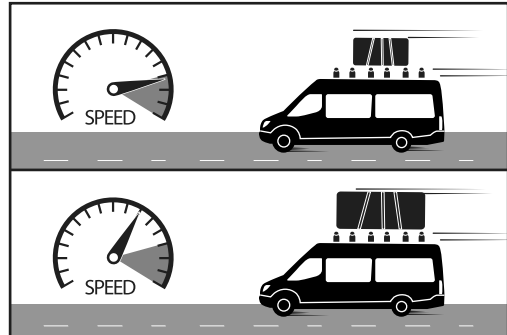
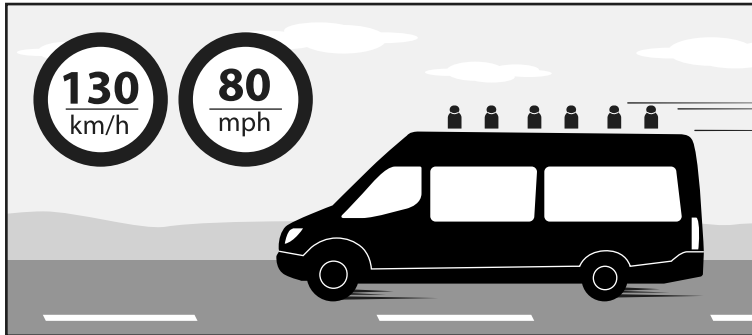
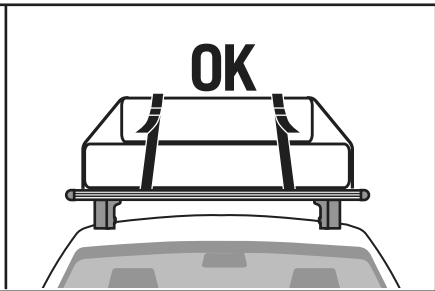
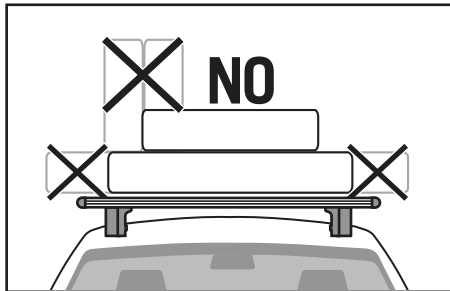
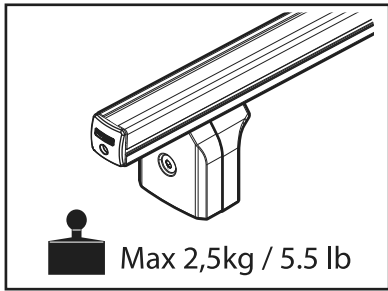
Art.000084800000

x2



max
150 kg/331 lb





F.lli Menabò S.r.l.
Via 8 Marzo, 3 -Z.I. Corte Tegge
42025 Cavriago (RE) ITALY
customer@flli-menabo.it
www.menabocaraccessories.com

Product registration EU:
IT) eu.menabocaraccessories.com/ita/product-support-ita
EN) eu.menabocaraccessories.com/eng/product-support-eng
DE) eu.menabocaraccessories.com/deu/product-support-deu
FR) eu.menabocaraccessories.com/fra/product-support-fra
ES) eu.menabocaraccessories.com/esp/product-support-esp

Cod.Istr.	500028600000
Data	15/04/2021

www.menabocaraccessories.com

Name

Surname

Email

Telephone

Serial number

Product name