

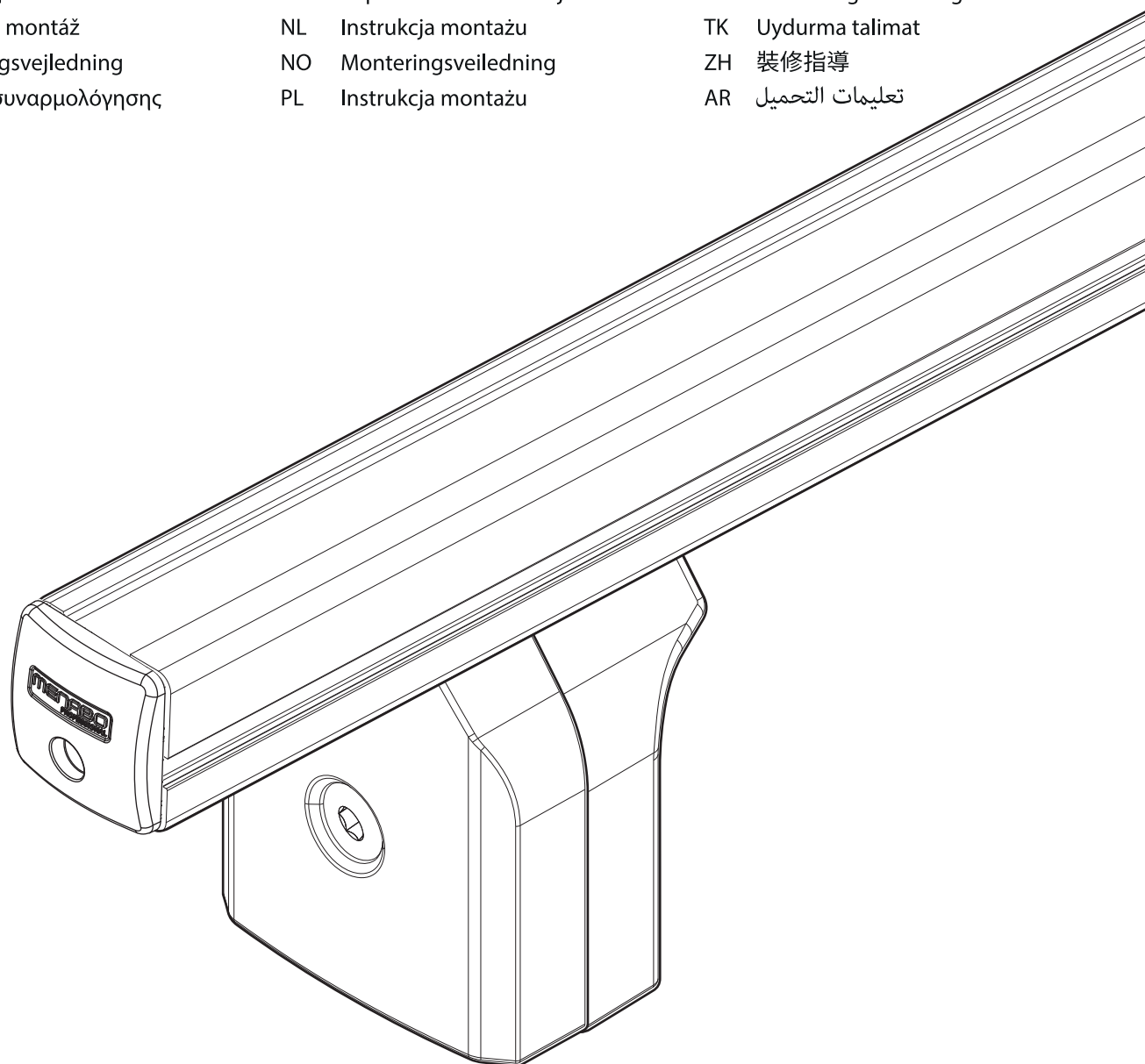
MENABO

free time on the move

FIX 601FP

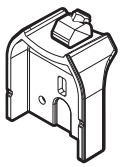
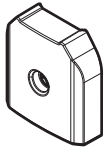
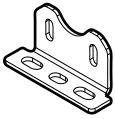
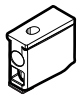
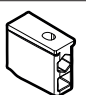

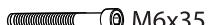




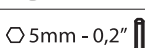

PROFESSIONAL

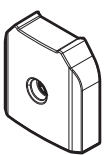





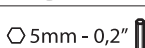

IT	Istruzioni di montaggio	ET	Paigaldusjuhend	PT	Instruções de Montagem
EN	Fitting instructions	FI	Asennusohje	RO	Instrucțiuni de montare
DE	Montageanleitung	HR	Uputa za sastavljanje	RU	Инструкции по установке
FR	Instructions de montage	HU	A felszerelés módja	SK	Návod na montáž
ES	Instrucciones de montaje	LT	Pritvirtinimo instrukcijos	SL	Navodila za pritrjevanje
BG	инструкции за сглобяване	LV	Stiprināšanas instrukcija	SV	Monteringsanvisning
CS	Návod na montáž	NL	Instrukcja montażu	TK	Uydurma talimat
DA	Monteringsvejledning	NO	Monteringsveiledning	ZH	裝修指導
EL	Οδηγίες συναρμολόγησης	PL	Instrukcja montażu	AR	تعليمات التحميل

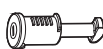



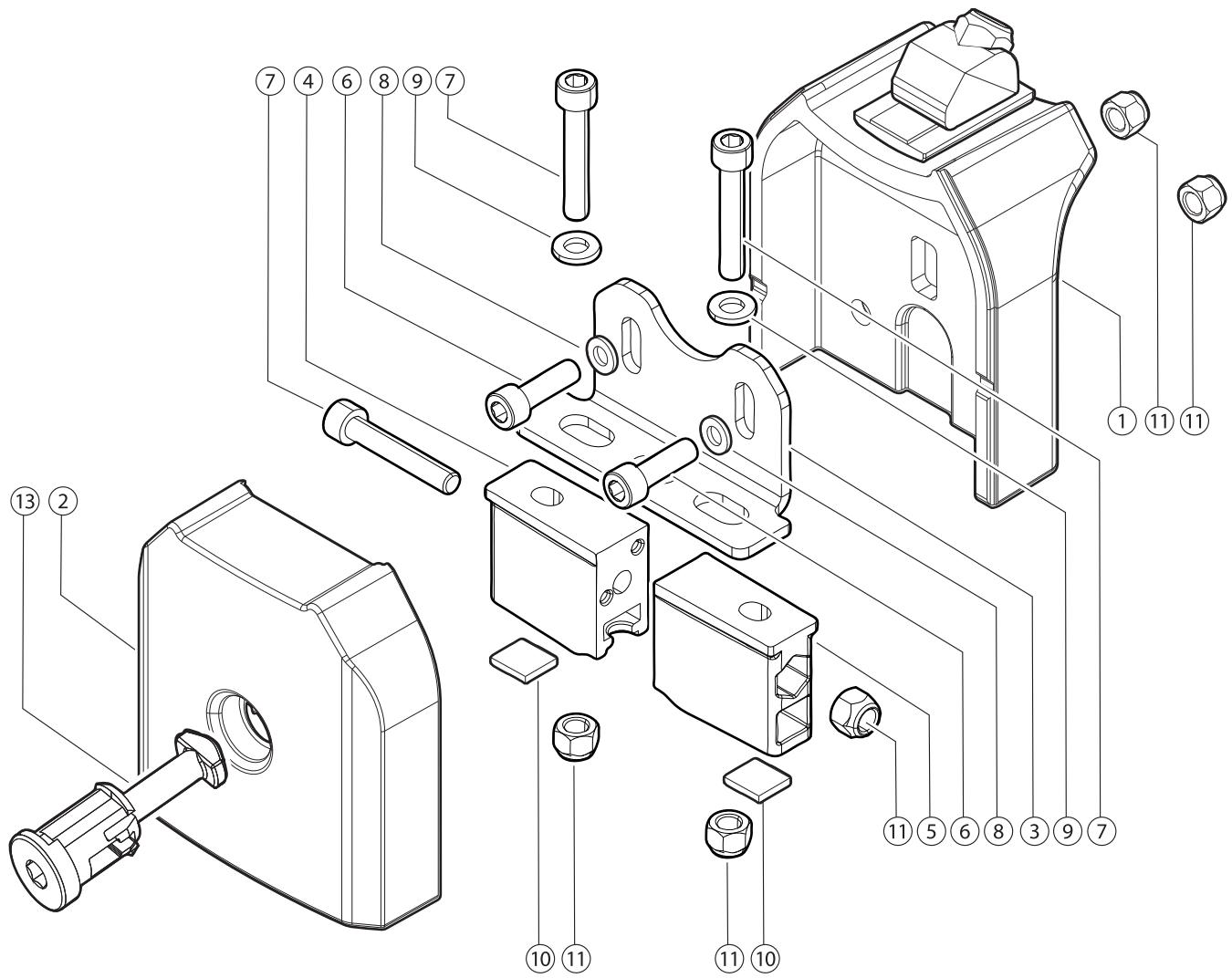
Made in Italy




FIXING KIT		
N.	[IT]Componenti (Inclusi) [EN]Components (Included) [FR]Composants (Comprises) [DE]Die Komponenten (im Lieferumfang enthalten) [ES]Componentes (Incluido)	Q.
1		2
2		2
3		2
4		2
5		2
6	 M6x16	4
7	 M6x35	6
8	 ø6x18	4
9	 ø6x12	4
10		4
11	 M6	10
12	 5mm - 0,2"	1
13		2

FIXING KIT			
N.	[IT]Ricambi (A Richiesta) [EN]Spare Parts (Made to order) [FR]Pièces de rechange (Sur commande) [DE]E Teile (auf Anfrage) [ES]Piezas de recambio (Previa solicitud)	Q.	Codice - Code - Código
2		1	700034200000
6	 M6x16	6	700034300000
7	 M6x35	4	
8	 ø6x18	10	
10		4	
11	 M6	4	700025000000
12	 5mm - 0,2"	1	
13		4	700025300000

OPTIONAL KIT		
N.	Art.000084800000	Q.
14		4
15	 XXXX	4

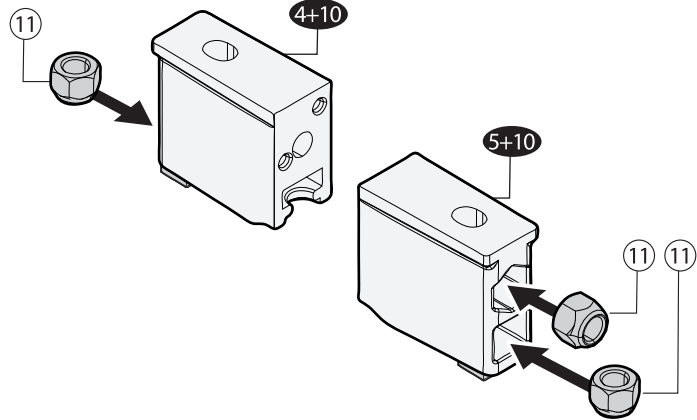
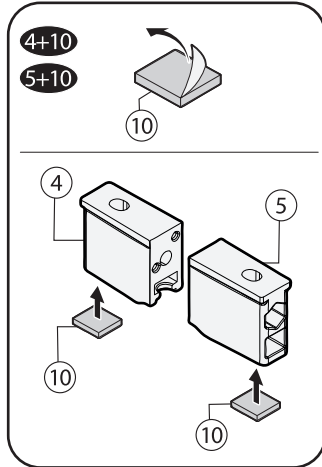



 5mm - 0,2"
 12

x2

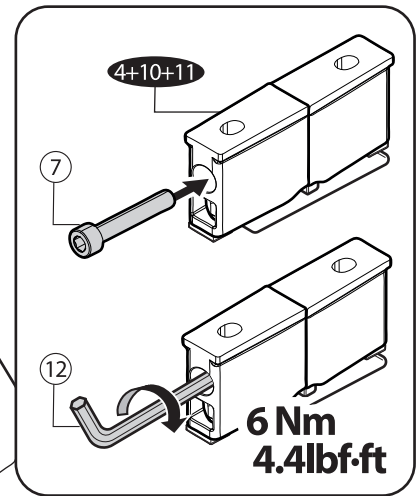
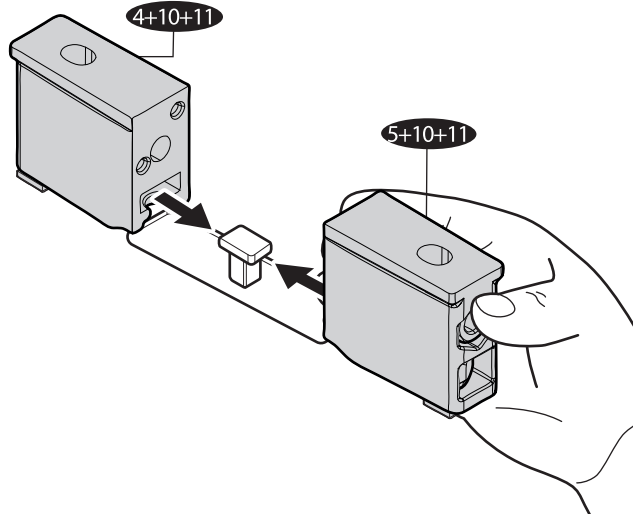
①

N.		Q.
4		2
5		2
10		4
11		6

**x2**

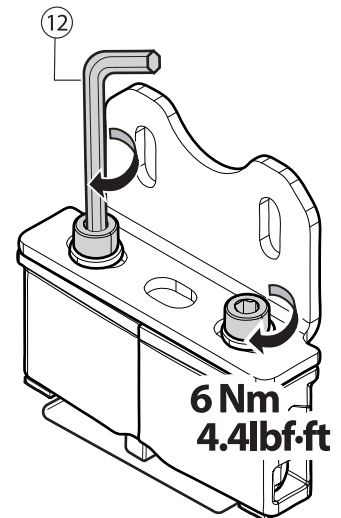
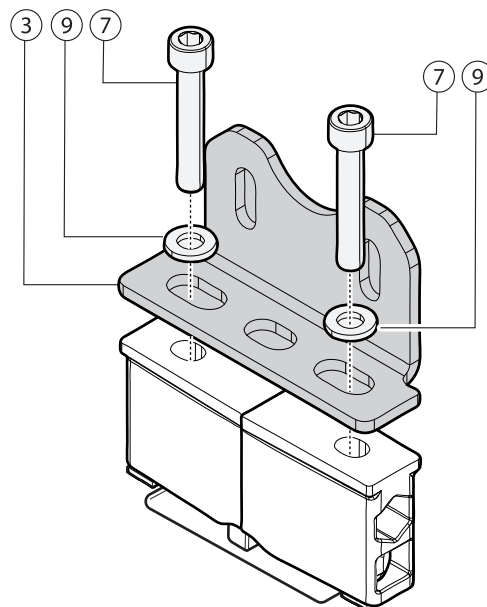
②

N.		Q.
7		2
12		1

**x2**





③

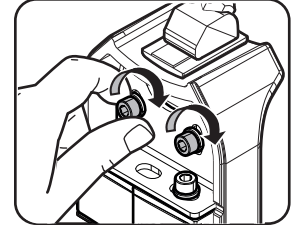
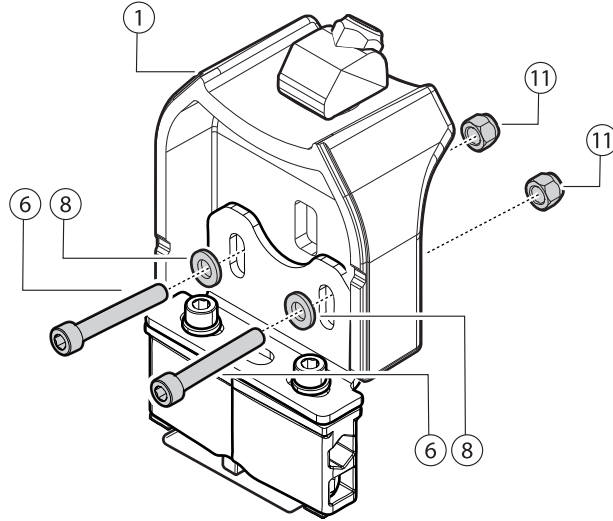
N.		Q.
3		2
7		4
9		4



4

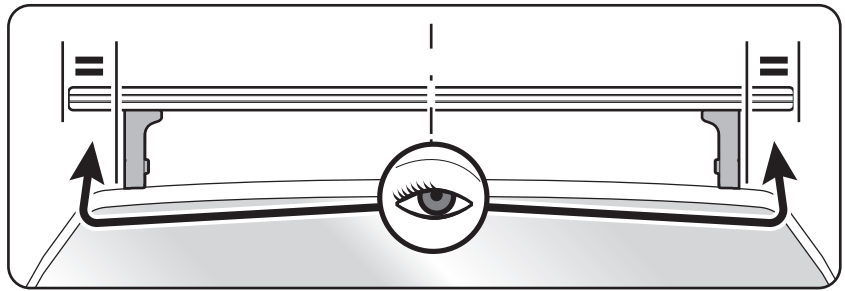
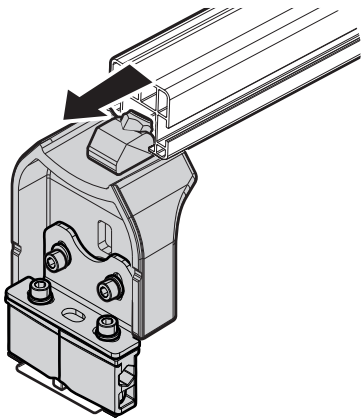
x2

N.		Q.
1		2
6	 M6x16	4
8	 ø6x18	4
11	 M6	4



x2

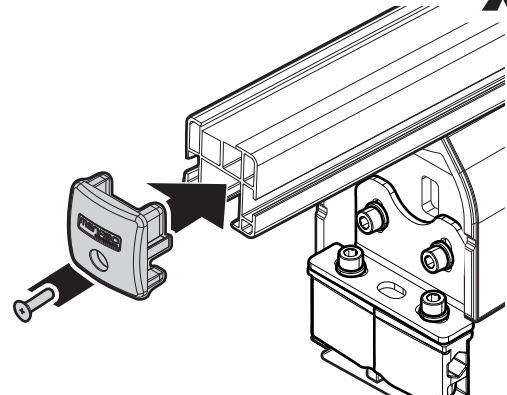
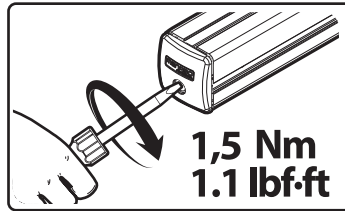
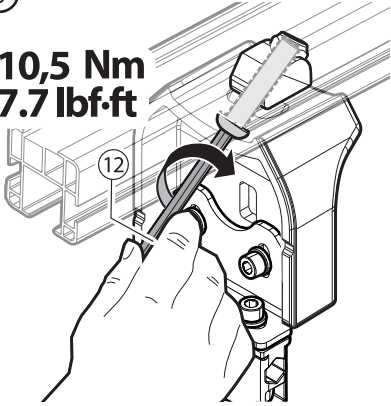
5



6

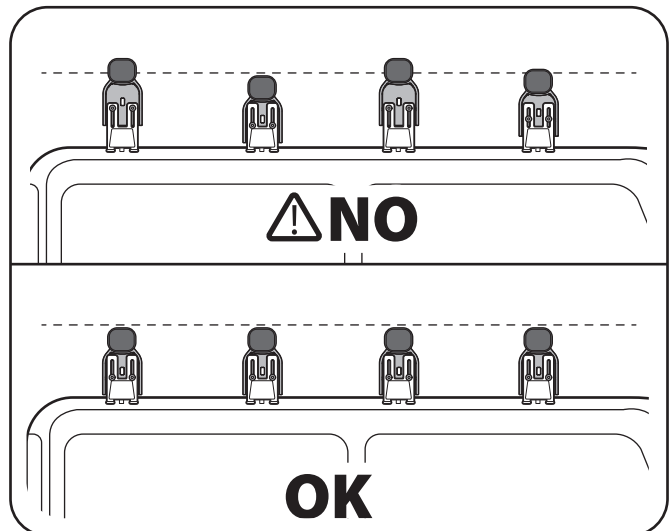
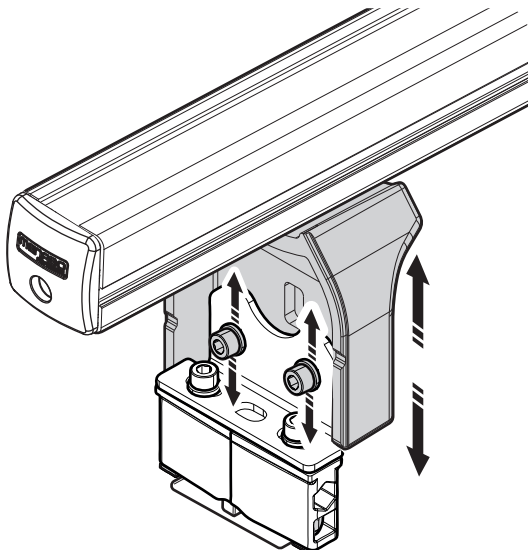
x2

10,5 Nm
7.7 lbf-ft



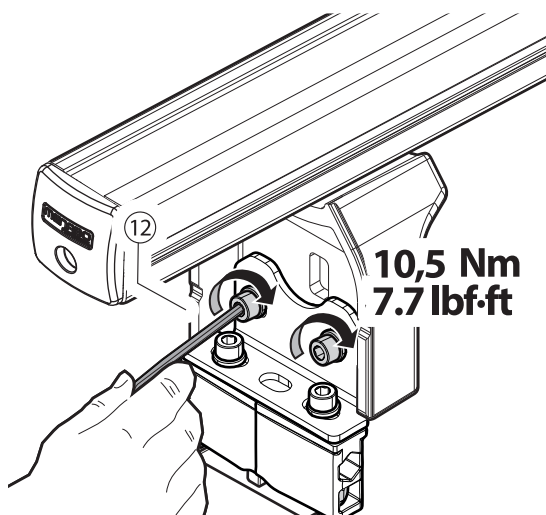
7

x2



8

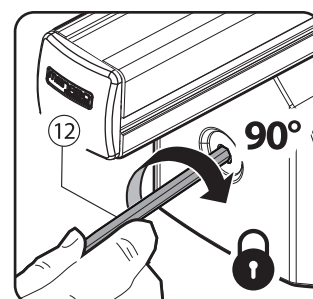
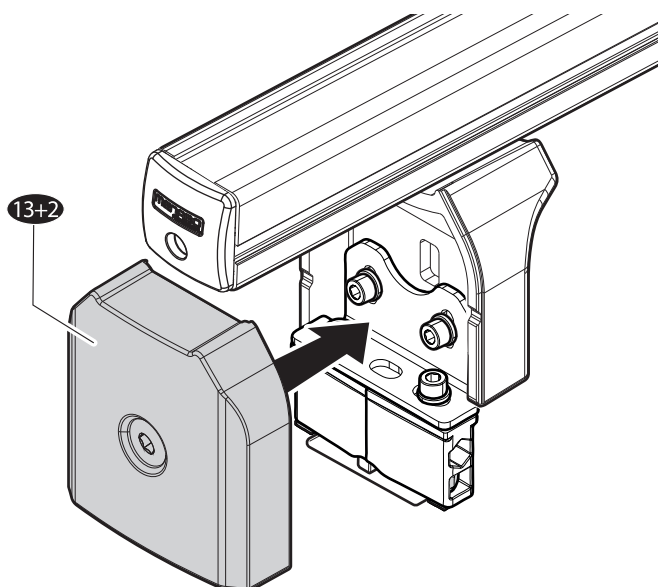
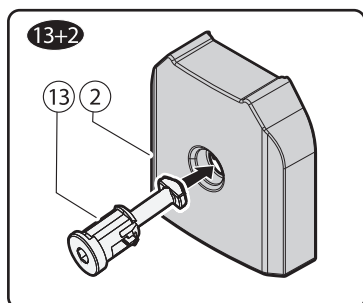
x2



9

x2

N.	Q.
2	2
13	2

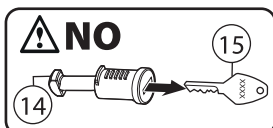
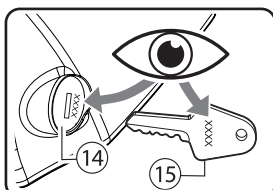
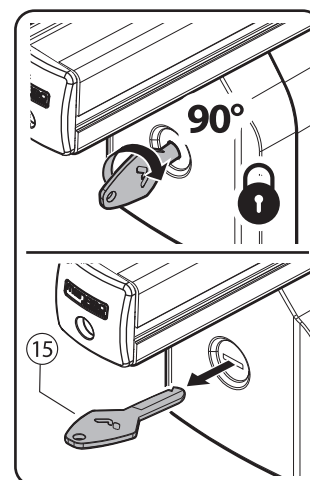
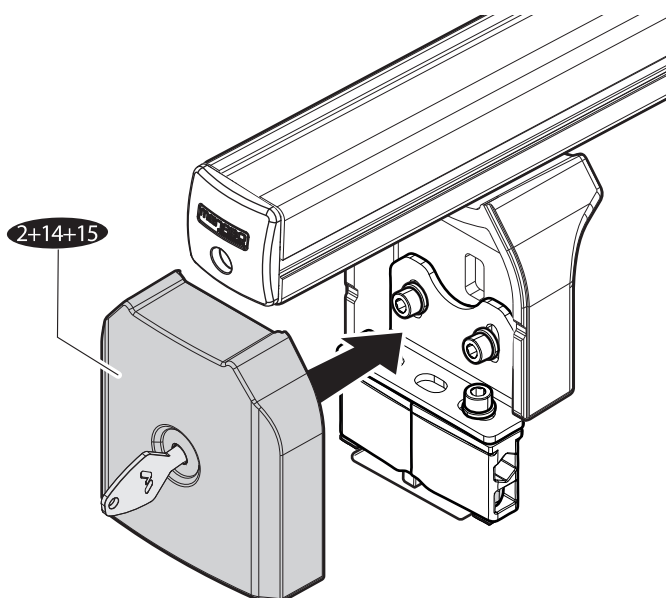
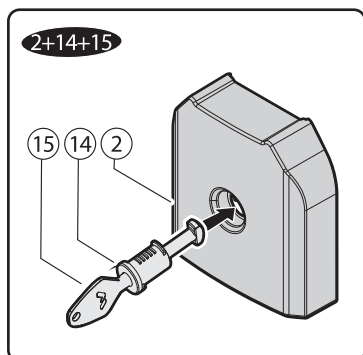


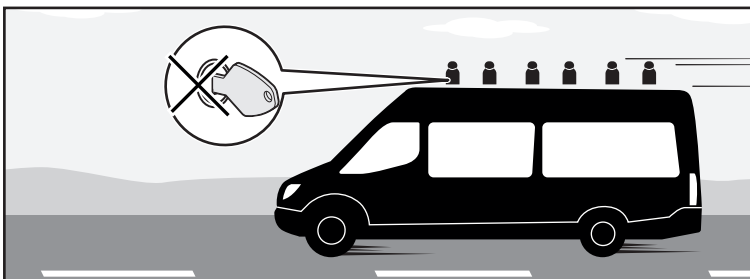
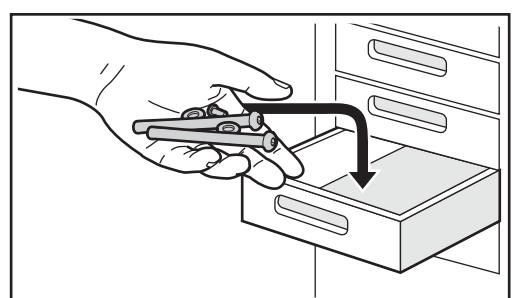
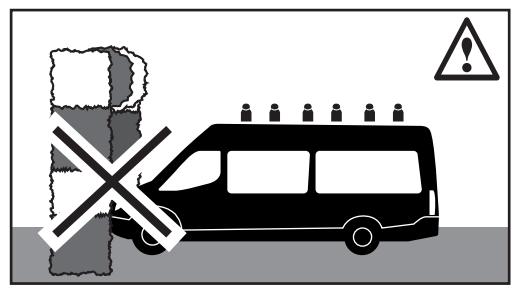
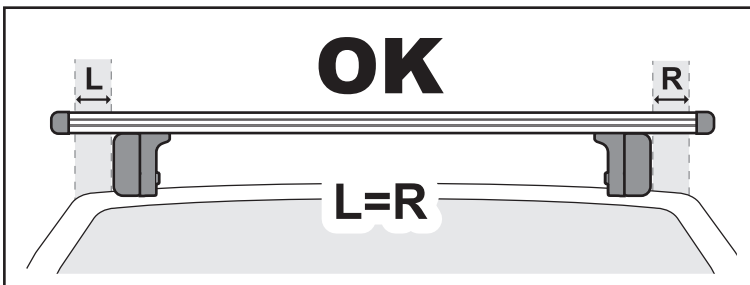
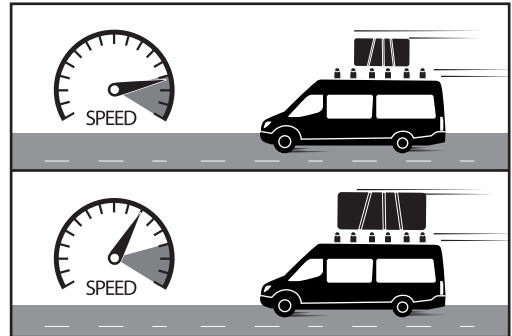
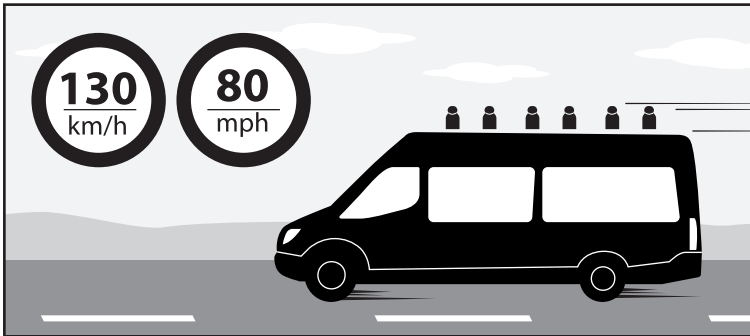
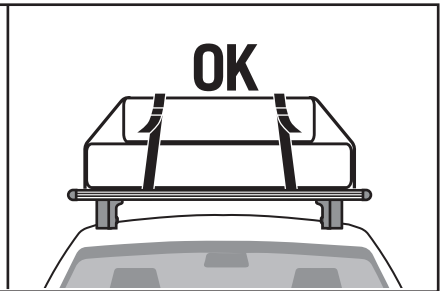
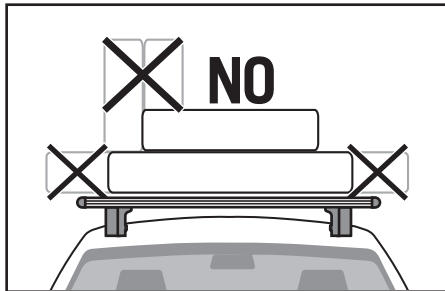
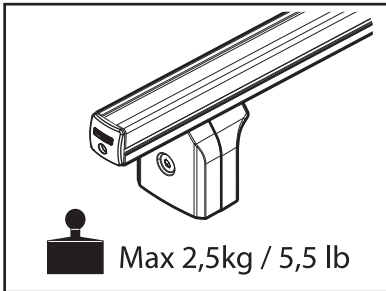
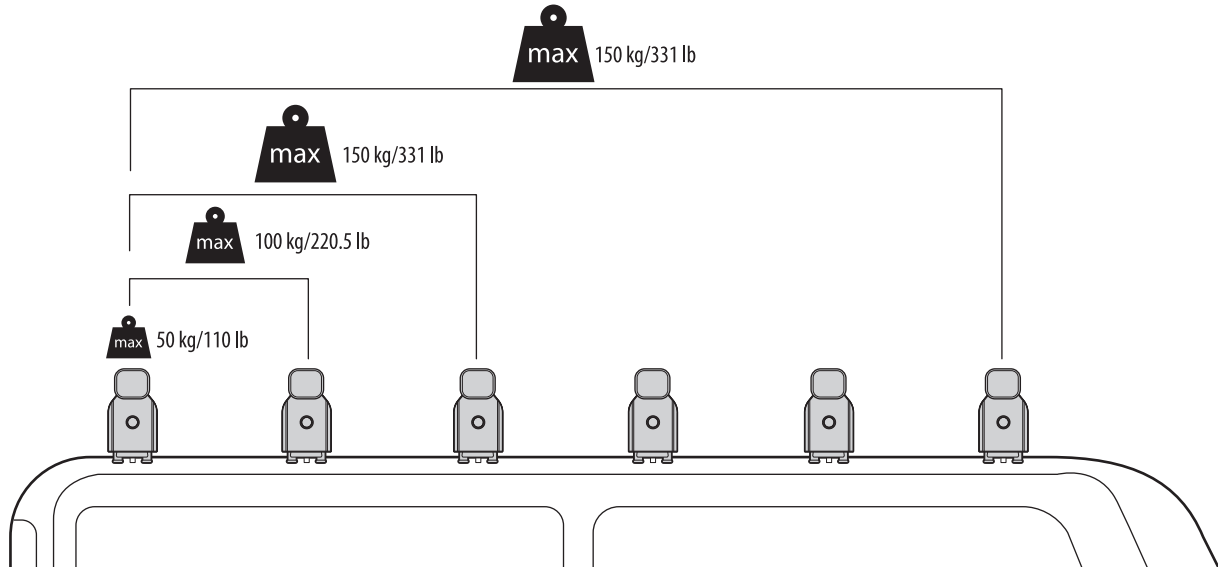
9b

OPTIONAL KIT

Art.000084800000

x2







F.lli Menabò S.r.l.
Via 8 Marzo, 3 -Z.I. Corte Tegge
42025 Cavriago (RE) ITALY
customercare@fli-menabo.it
www.menabocaraccessories.com

Cod.Istr.	500028300001
Data	07/04/2021

Product registration

IT) eu.menabocaraccessories.com/ita/product-support-ita
EN) eu.menabocaraccessories.com/eng/product-support-eng
DE) eu.menabocaraccessories.com/deu/product-support-deu
FR) eu.menabocaraccessories.com/fra/product-support-fra
ES) eu.menabocaraccessories.com/esp/product-support-esp

www.menabocaraccessories.com

Name

Surname

Email

Telephone

Serial number

Product name