

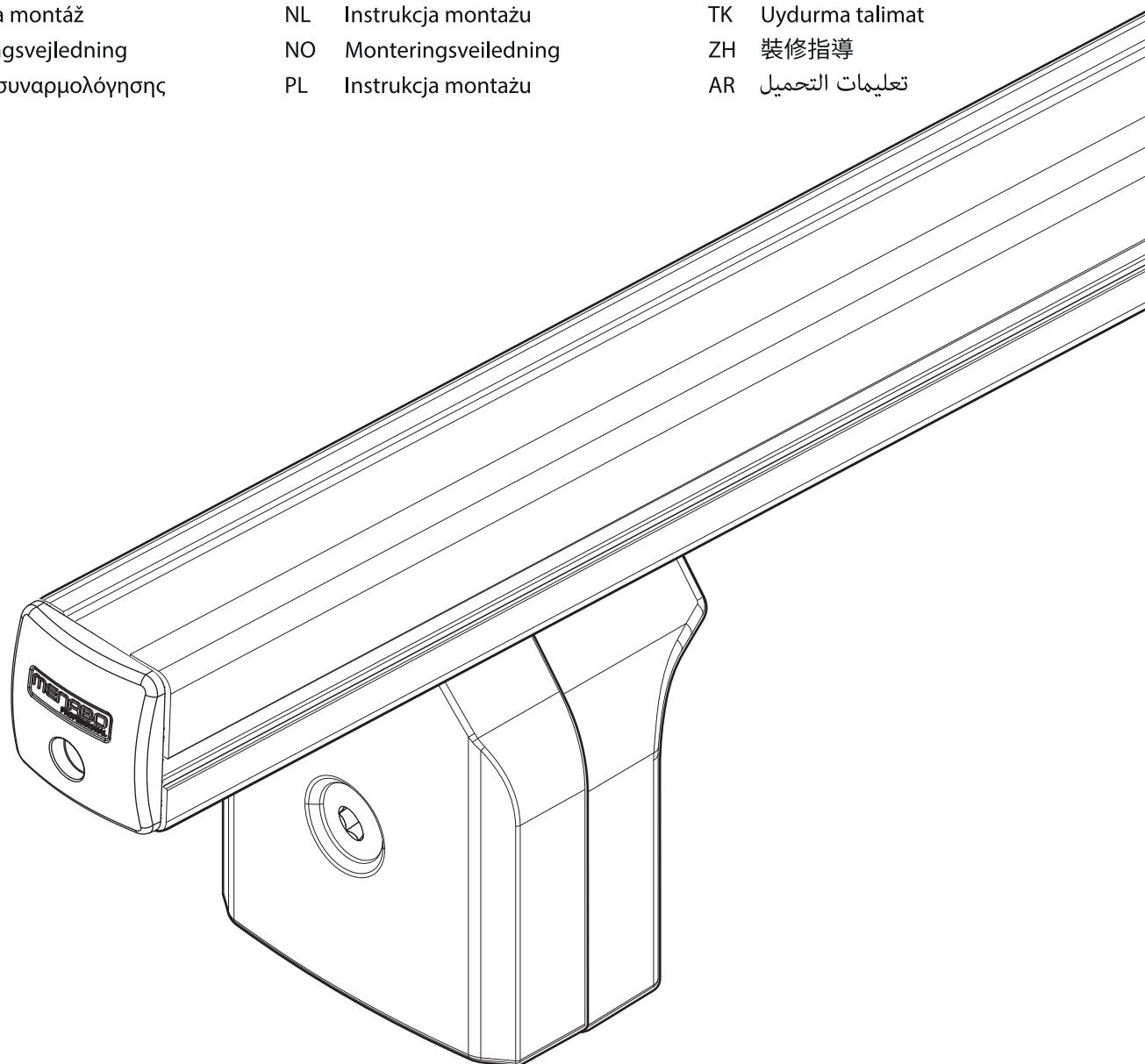
# MENABO

free time on the move

FIX 606FP



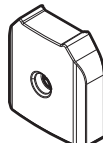
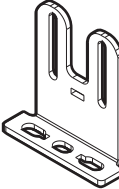
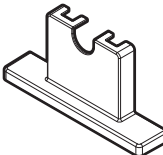









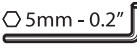

## PROFESSIONAL

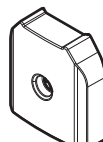
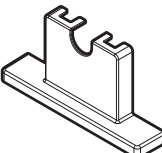












IT Istruzioni di montaggio	ET Paigaldusjuhend	PT Instruções de Montagem
EN Fitting instructions	FI Asennusohje	RO Instrucțiuni de montare
DE Montageanleitung	HR Uputa za sastavljanje	RU Инструкции по установке
FR Instructions de montage	HU A felszerelés módja	SK Návod na montáž
ES Instrucciones de montaje	LT Pritvirtinimo instrukcijos	SL Navodila za pritrdjevanje
BG инструкции за сглобяване	LV Stiprināšanas instrukcija	SV Monteringsanvisning
CS Návod na montáž	NL Instrukcja montażu	TK Uydurma talimat
DA Monteringsvejledning	NO Monteringsveiledning	ZH 裝修指導
EL Οδηγίες συναρμολόγησης	PL Instrukcja montażu	AR تعليمات التجميع



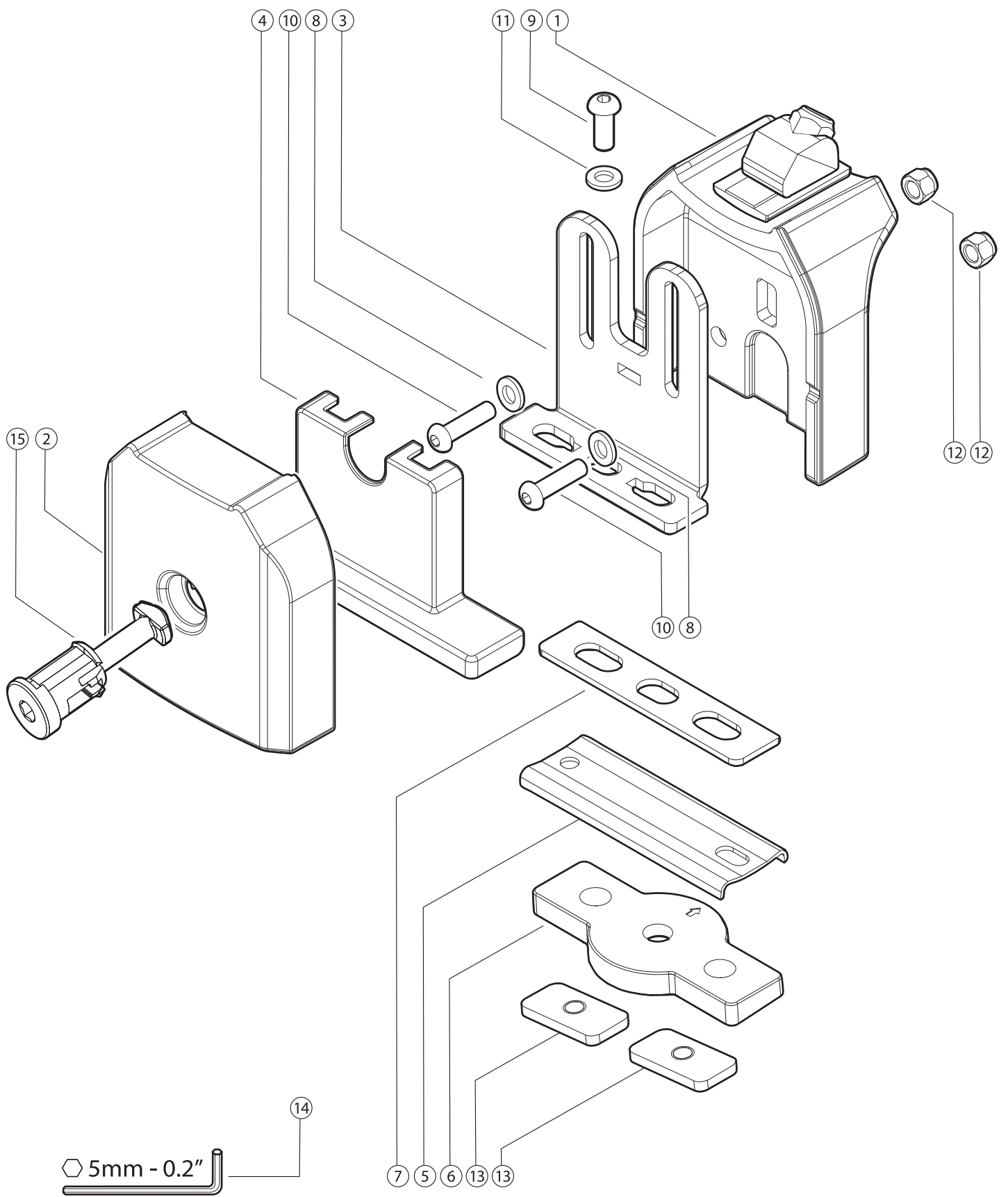
Made in Italy



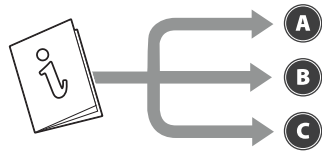
FIXING KIT		
N.	[IT]Componenti (Inclusi) [EN]Components (Included) [FR]Composants (Comprises) [DE]Die Komponenten (im Lieferumfang enthalten) [ES]Componentes (Incluido)	Q.
0		1
1		2
2		2
3		2
4		2
5		2
6	 A2	2
7	 A4	2
8	 Ø6X18	4
9	 MZxY	4
10	 M6x16	4
11	 ØXxY	4
12	 M6	4
13		4
14	 5mm - 0.2"	1
15		2

FIXING KIT			
N.	[IT]Ricambi (A Richiesta) [EN]Spare Parts (Made to order) [FR]Pièces de rechange (Sur commande) [DE]E Teile (auf Anfrage) [ES]Piezas de recambio (Previa solicitud)	Codice-Code-Código	Q.
2		700034200000	1
4		700034600000	1
5		700011200000	1
6	 A2	700034500000	2
7	 A4		2
15			2
8	 Ø6X18	700034300000	4
9	 MZxY		4
10	 M6x16		4
11	 ØXxY		4
12	 M6		4
13			4
14	 5mm - 0.2"	700025000000	1
15		700025300000	4

OPTIONAL KIT		
N.	Art.000084800000	Q.
16		4
17	 XXXX	4



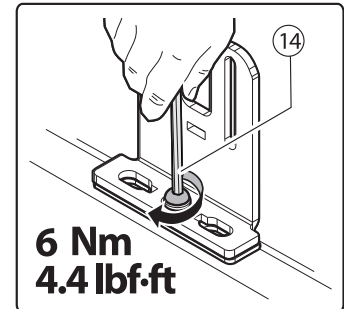
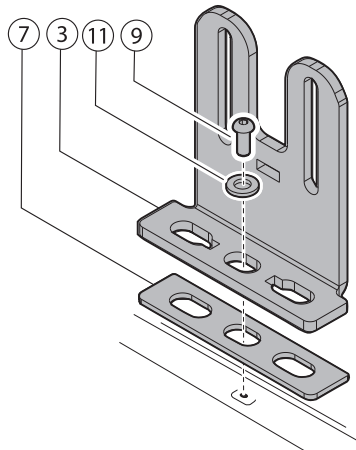
1



**X2**

**A**

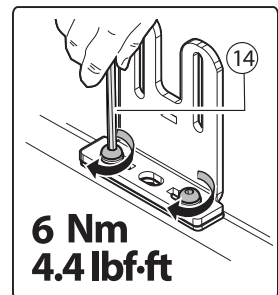
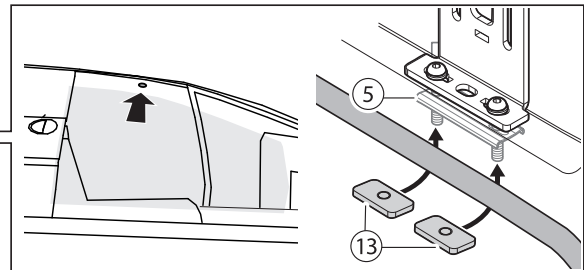
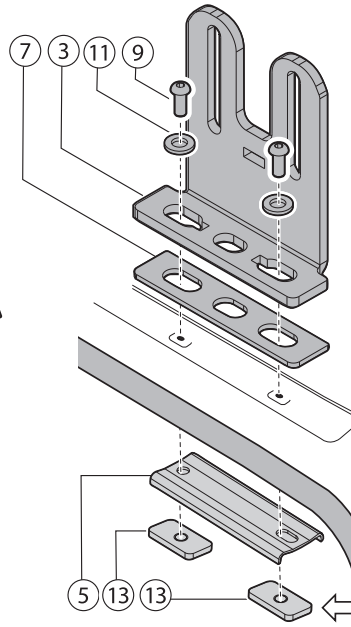
N.		Q.
3		2
7	A4	2
9	MZxY	2
11	ØxXY	2



**X2**

**B**

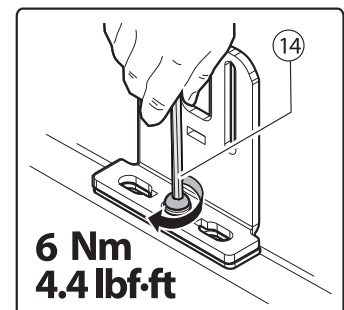
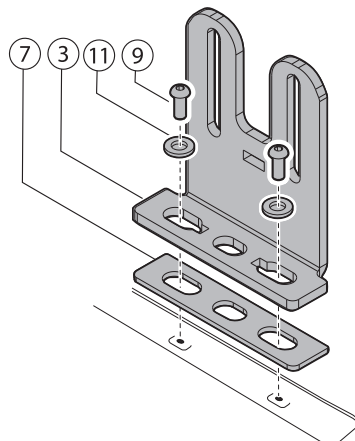
N.		Q.
3		2
5		2
7	A4	2
9	MZxY	4
11	XxY	4
13		4



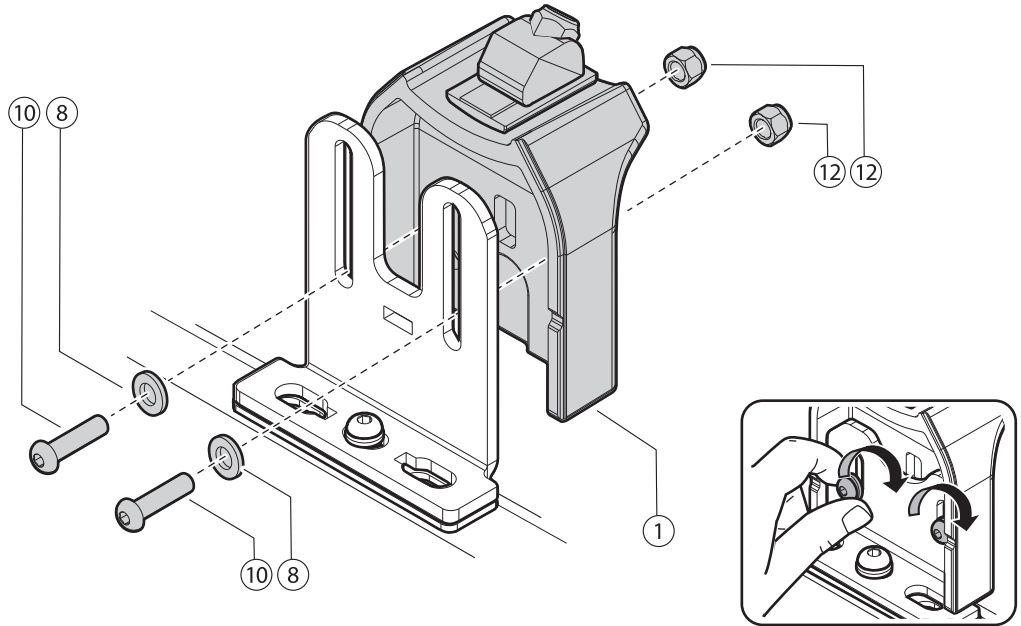
**X2**

**C**

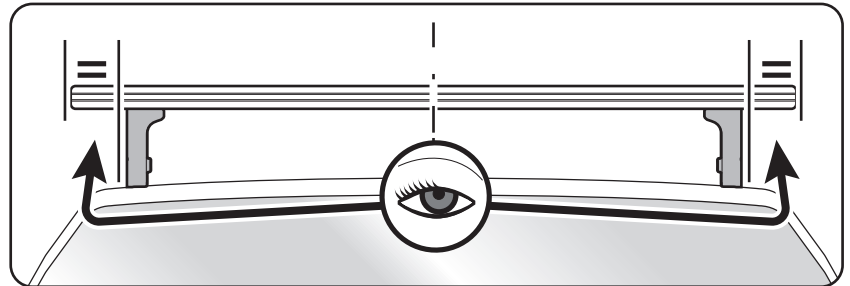
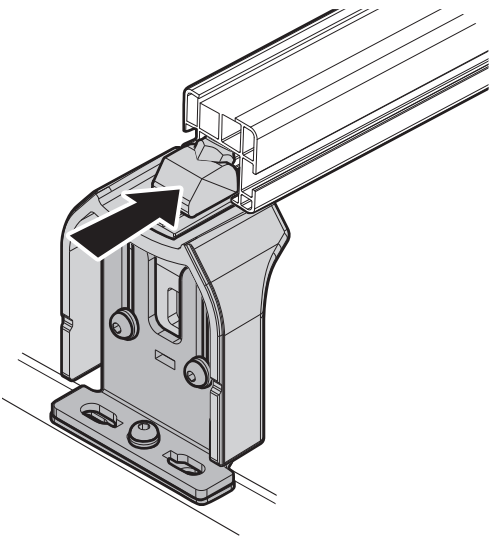
N.		Q.
3		2
7	A4	2
9	MZxY	4
11	XxY	4



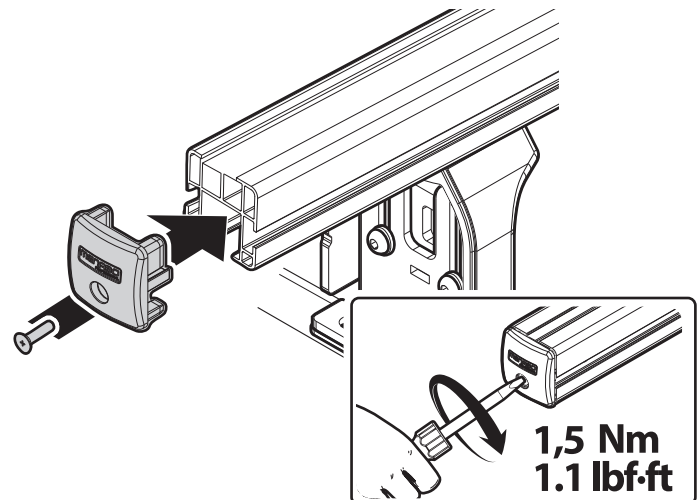
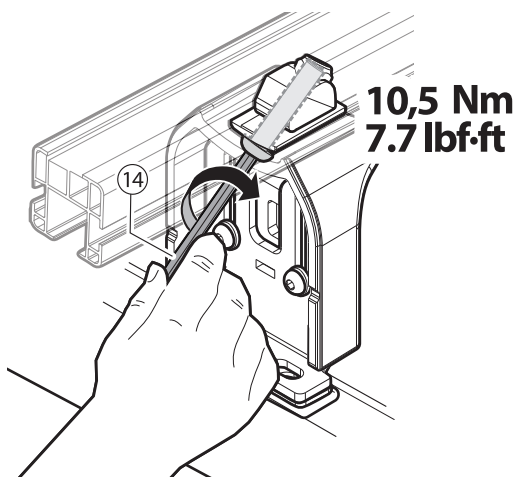
N.		Q.
1		2
8		4
10		4
12		4



3

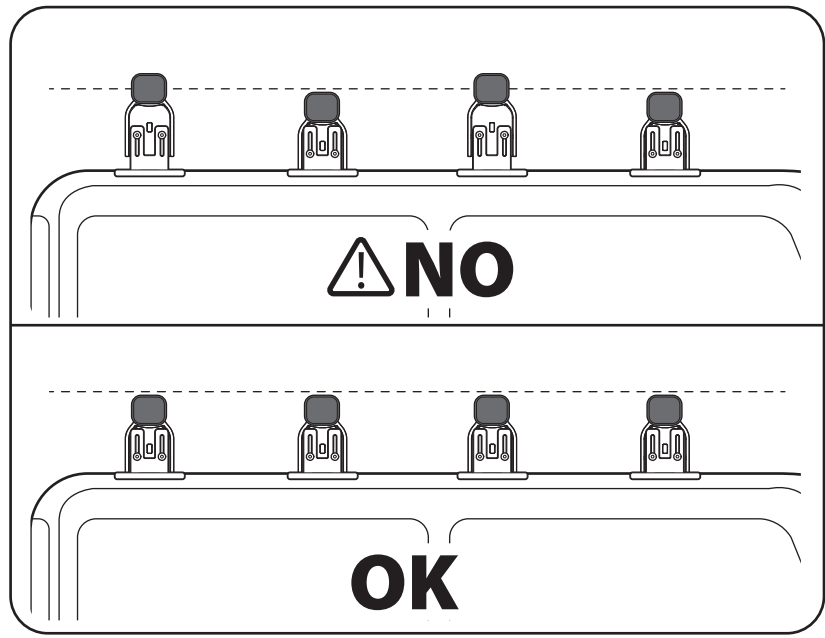
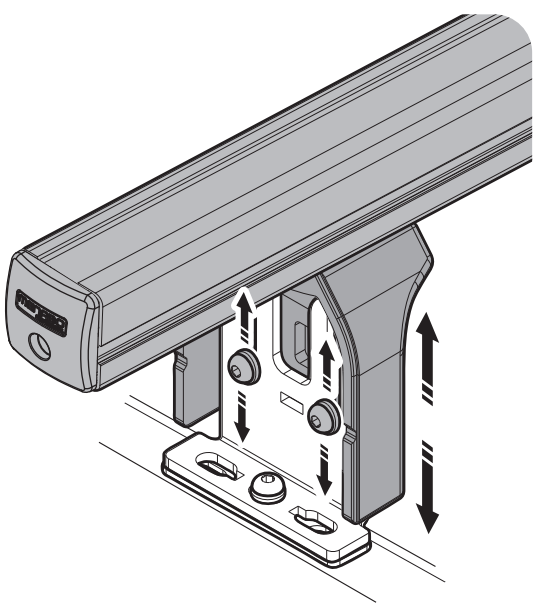


4



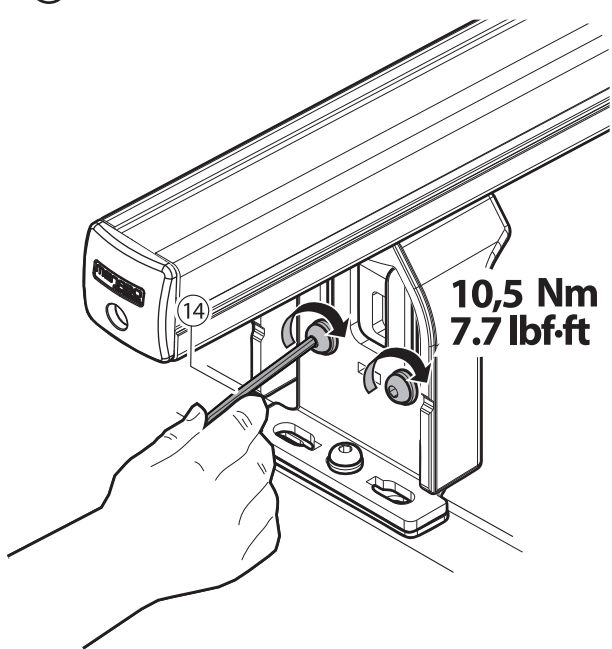
5

x2

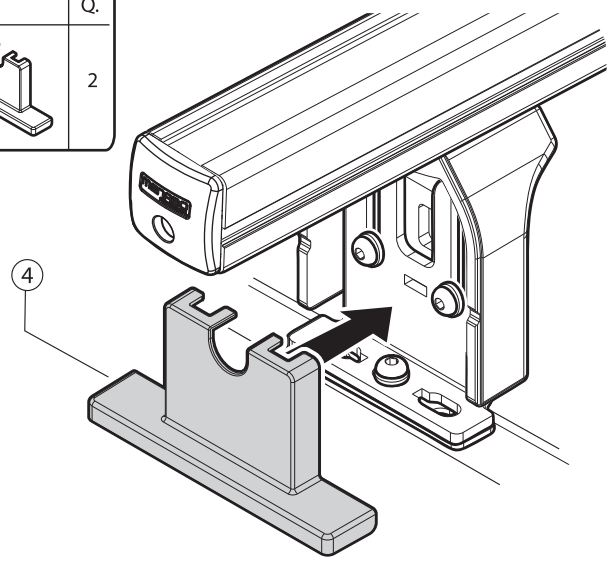


6

x2

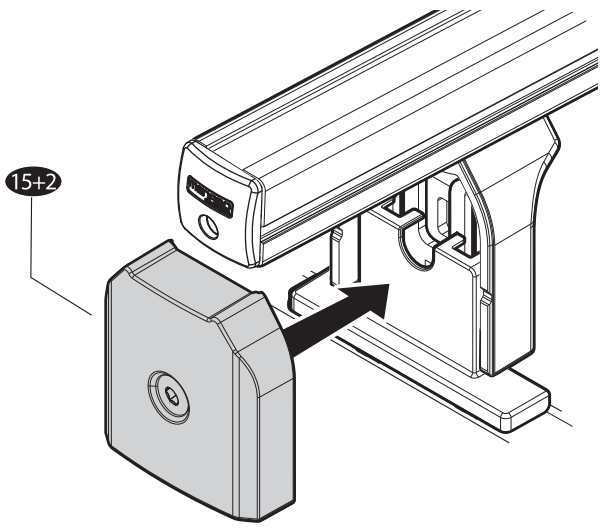
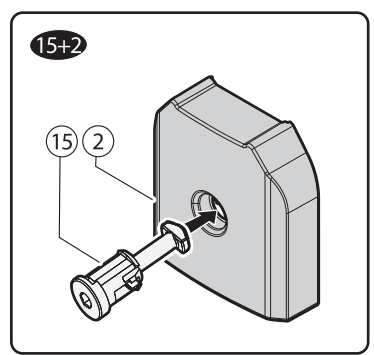


N.	Q.
4	2

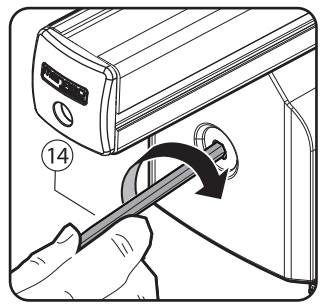


7

x2

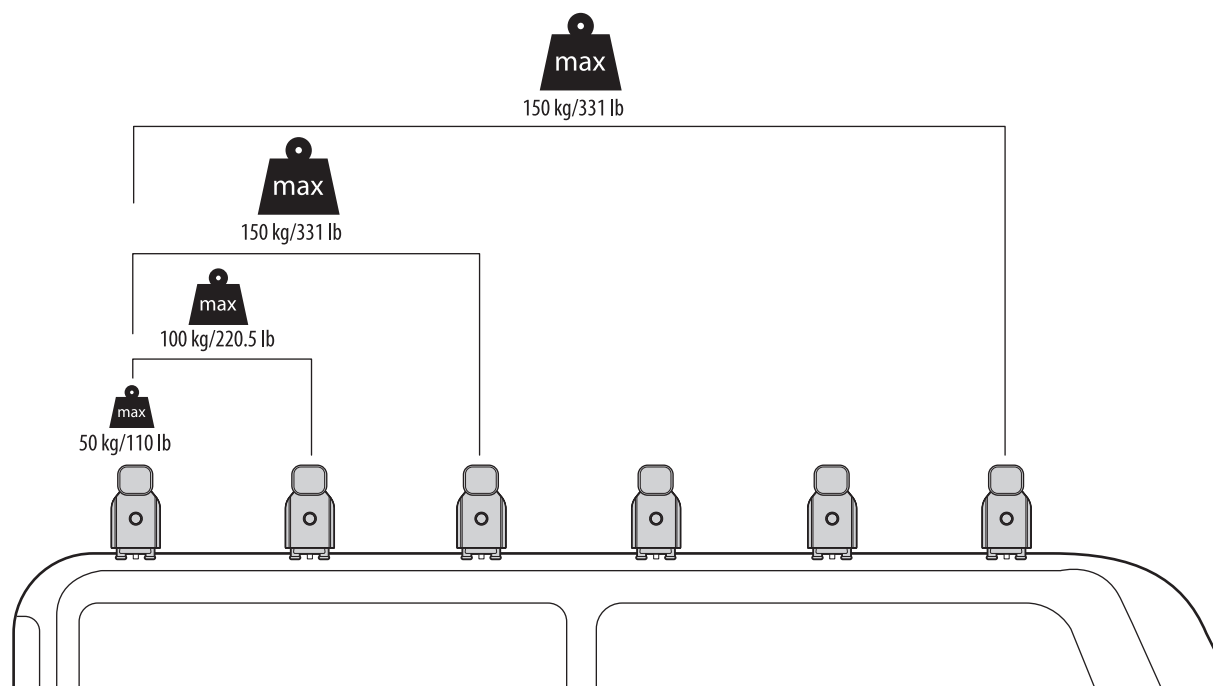
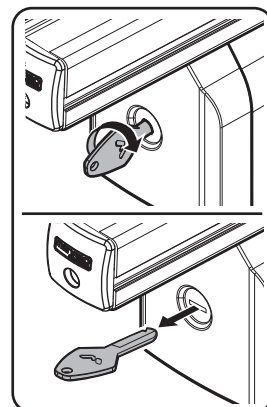
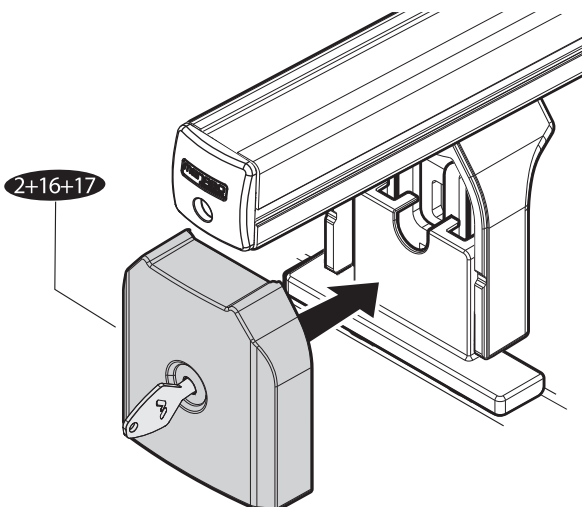
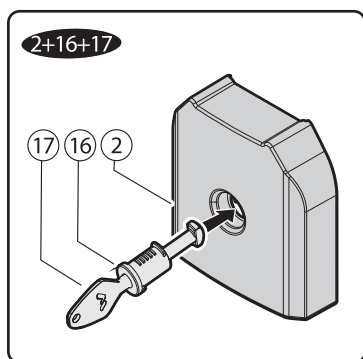


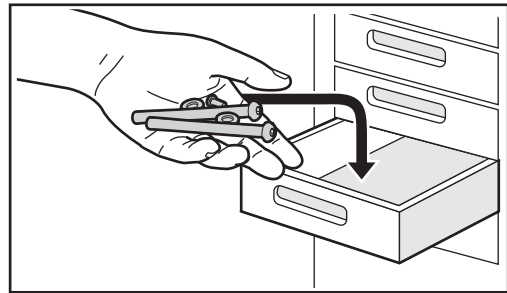
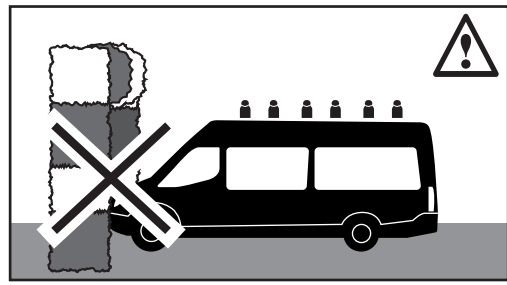
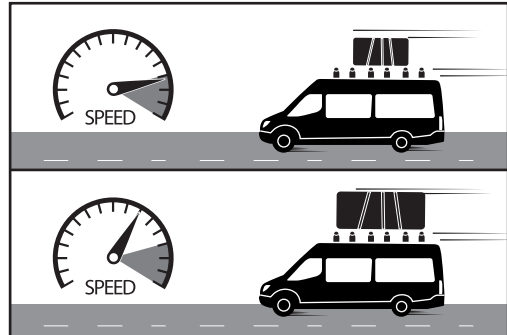
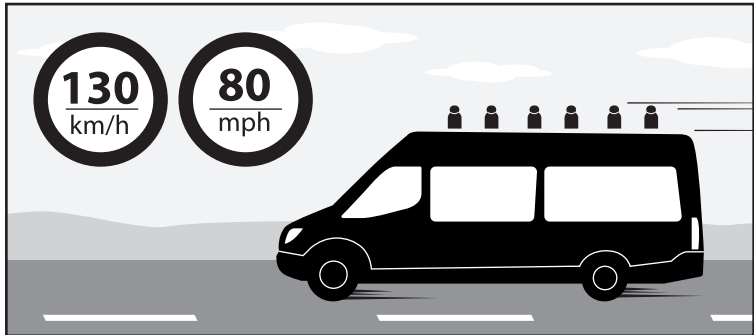
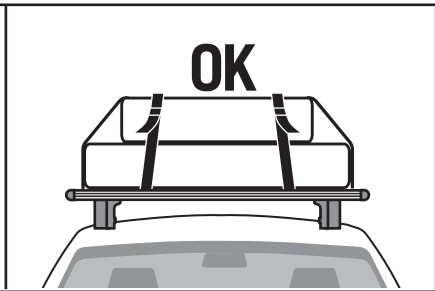
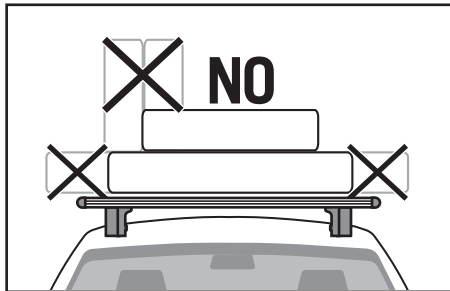
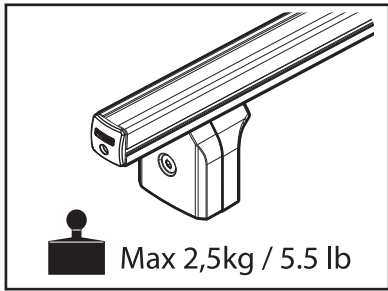
N.	Q.
2	2
15	2



7b — **OPTIONAL KIT**  
Art.000084800000

**x2**





F.lli Menabò S.r.l.  
Via 8 Marzo, 3 -Z.I. Corte Tegge  
42025 Cavriago (RE) ITALY  
customer@flli-menabo.it  
www.menabocaraccessories.com

Product registration EU:  
IT) [eu.menabocaraccessories.com/ita/product-support-ita](http://eu.menabocaraccessories.com/ita/product-support-ita)  
EN) [eu.menabocaraccessories.com/eng/product-support-eng](http://eu.menabocaraccessories.com/eng/product-support-eng)  
DE) [eu.menabocaraccessories.com/deu/product-support-deu](http://eu.menabocaraccessories.com/deu/product-support-deu)  
FR) [eu.menabocaraccessories.com/fra/product-support-fra](http://eu.menabocaraccessories.com/fra/product-support-fra)  
ES) [eu.menabocaraccessories.com/esp/product-support-esp](http://eu.menabocaraccessories.com/esp/product-support-esp)

Cod.Istr.	500028700000
Data	15/04/2021

[www.menabocaraccessories.com](http://www.menabocaraccessories.com)

Name

Surname

Email

Telephone

Serial number

Product name