

ARTWORK

Master Ref: **PHL449172**
 TR Ref: **TR2052562**
 Brand: PHILIPS
 Brand execution: HUE White
 Product name:
 Article Number: 50610/**/P7
 Region: Trident UK
 Template Ref: As Previous
 Artwork 12NC: 440402912672
 Die cut 12NC:
 Barcode: N/A
 CRC Number:
 Action: **D**
 Date: 01/02/2021

Project Manager: Arno van den Biggelaar

Trident Artist: Olii Hayton

Technical & Non Printing Items

■ Dieline ■ Guides

Colours:



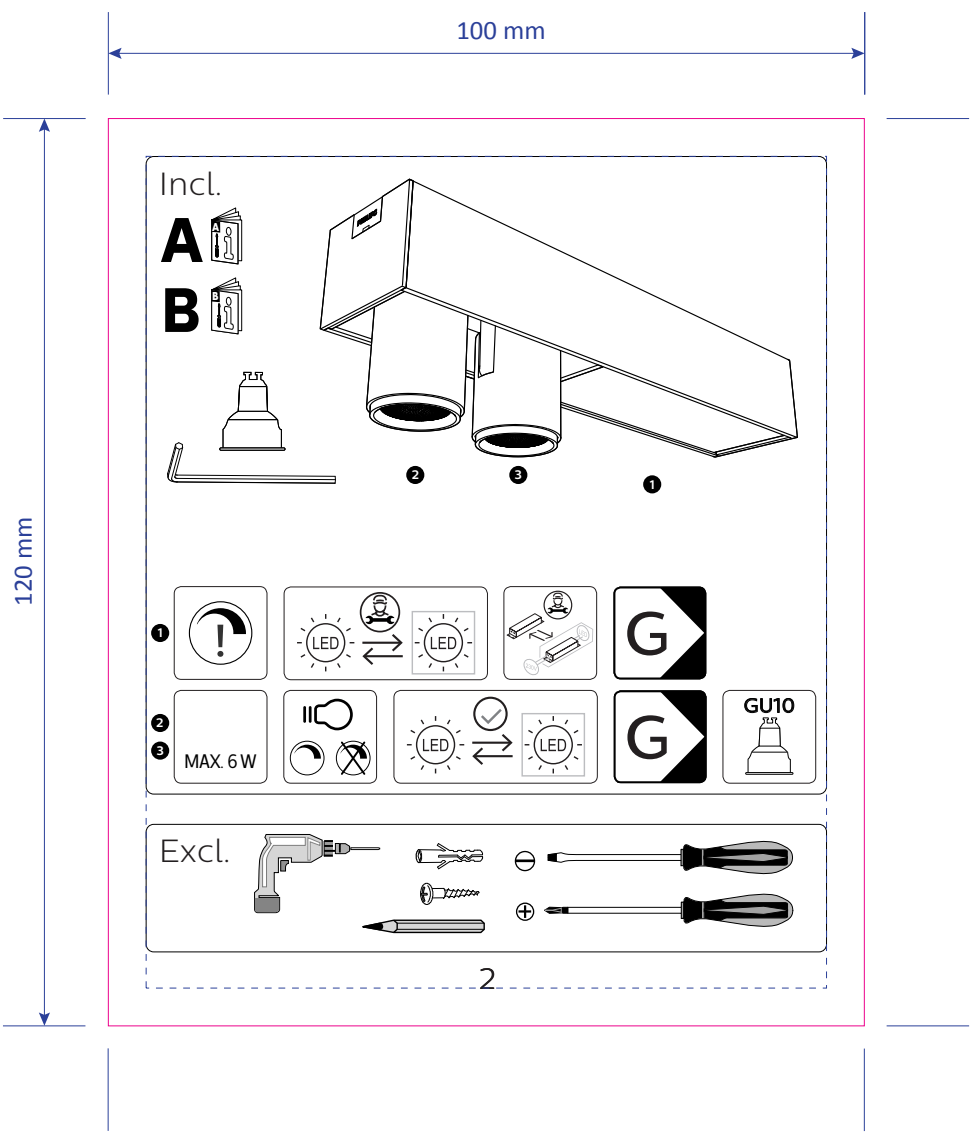
PHILIPS



Trident UK, Connaught House, Connaught Road,
 Kingswood Business Park, Hull, HU7 3AP, England.
 T: +44 (0) 01482 828100

Please note that any low resolution paper Canon colour copies associated with this job should be referred to for content, layout and colour separation only.

UNDER NO CIRCUMSTANCES SHOULD THIS ARTWORK BE ALTERED WITHOUT PRIOR PERMISSION FROM TRIDENT.



ARTWORK

Master Ref: **PHL449172**
 TR Ref: **TR2052562**
 Brand: PHILIPS
 Brand execution: HUE White
 Product name:
 Article Number: 50610/**/P7
 Region: Trident UK
 Template Ref: As Previous
 Artwork 12NC: 440402912672
 Die cut 12NC:
 Barcode: N/A
 CRC Number:
 Action: **D**
 Date: 01/02/2021

Project Manager: Arno van den Biggelaar

Trident Artist: Olii Hayton

Technical & Non Printing Items
■ Dieline ■ Guides

Colours:

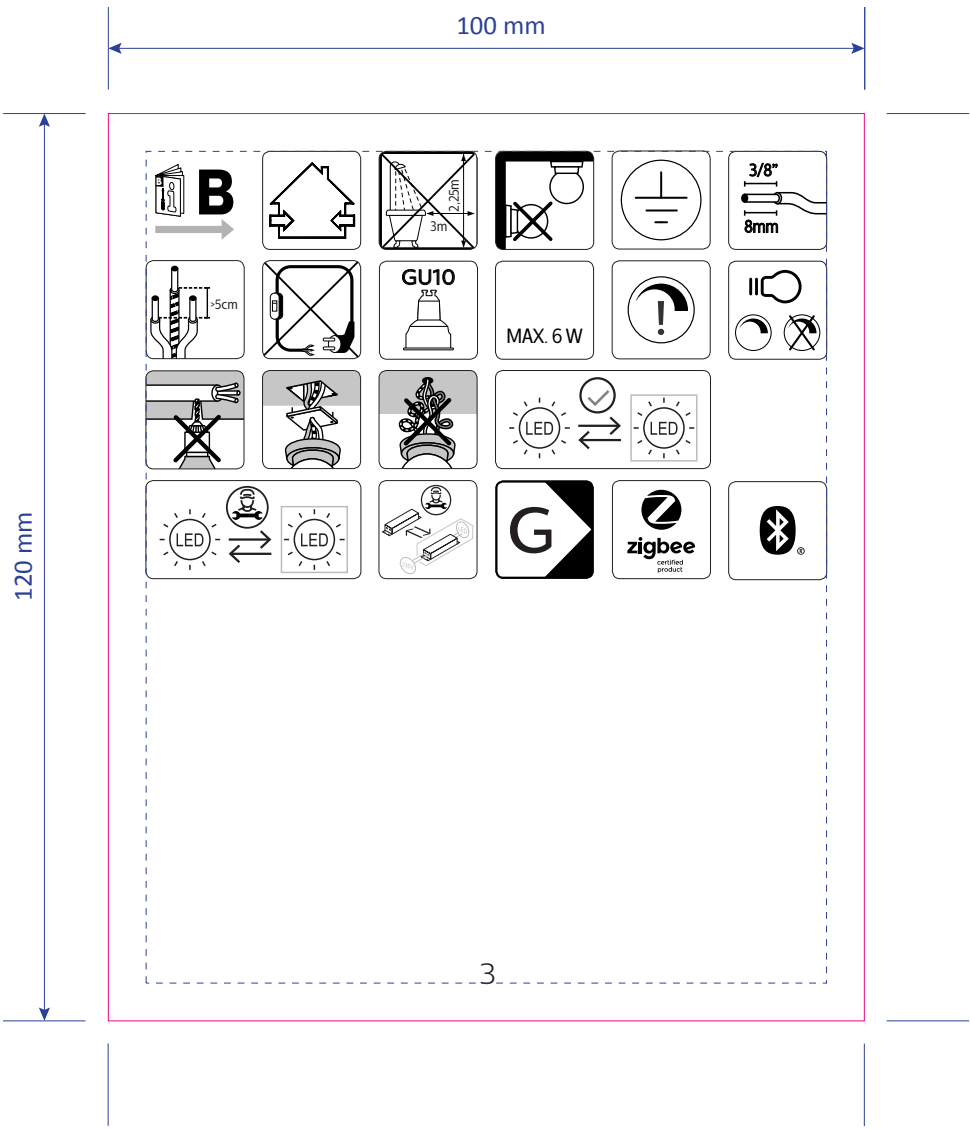
| | |
|-------|------|
| Black | 1 |
| | 1/TH |

PHILIPS

TRIDENT
 Trident UK, Connaught House, Connaught Road,
 Kingswood Business Park, Hull, HU7 3AP, England.
 T: +44 (0) 01482 828100

Please note that any low resolution paper Canon colour copies associated with this job should be referred to for content, layout and colour separation only.

UNDER NO CIRCUMSTANCES SHOULD THIS ARTWORK BE ALTERED WITHOUT PRIOR PERMISSION FROM TRIDENT.



ARTWORK

Master Ref: **PHL449172**
 TR Ref: **TR2052562**
 Brand: PHILIPS
 Brand execution: HUE White
 Product name:
 Article Number: 50610/**/P7
 Region: Trident UK
 Template Ref: As Previous
 Artwork 12NC: 440402912672
 Die cut 12NC:
 Barcode: N/A
 CRC Number:
 Action: **D**
 Date: 01/02/2021

Project Manager: Arno van den Biggelaar

Trident Artist: Olii Hayton

Technical & Non Printing Items
■ Dieline ■ Guides

Colours:

| | |
|-------|---|
| Black | 1 |
| White | 1 |

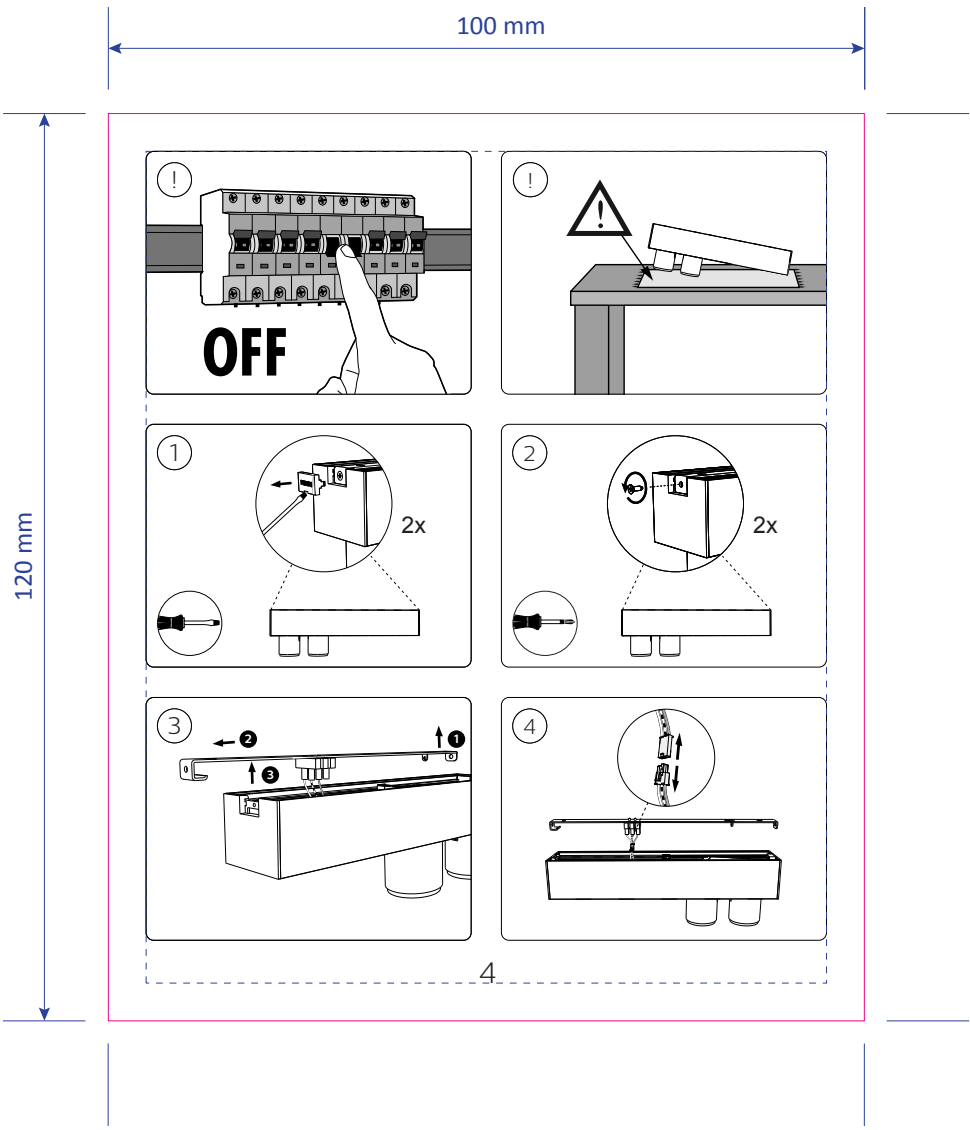
PHILIPS



TRIDENT
 Trident UK, Connaught House, Connaught Road,
 Kingswood Business Park, Hull, HU7 3AP, England.
 T: +44 (0) 01482 828100

Please note that any low resolution paper Canon colour copies associated with this job should be referred to for content, layout and colour separation only.

UNDER NO CIRCUMSTANCES SHOULD THIS ARTWORK BE ALTERED WITHOUT PRIOR PERMISSION FROM TRIDENT.



ARTWORK

Master Ref: **PHL449172**
 TR Ref: **TR2052562**
 Brand: PHILIPS
 Brand execution: HUE White
 Product name:
 Article Number: 50610/**/P7
 Region: Trident UK
 Template Ref: As Previous
 Artwork 12NC: 440402912672
 Die cut 12NC:
 Barcode: N/A
 CRC Number:
 Action: **D**
 Date: 01/02/2021

Project Manager: Arno van den Biggelaar

Trident Artist: Olii Hayton

Technical & Non Printing Items
 ■ Dieline ■ Guides

Colours:

| | |
|-------|------|
| Black | 1 |
| | 1/TH |

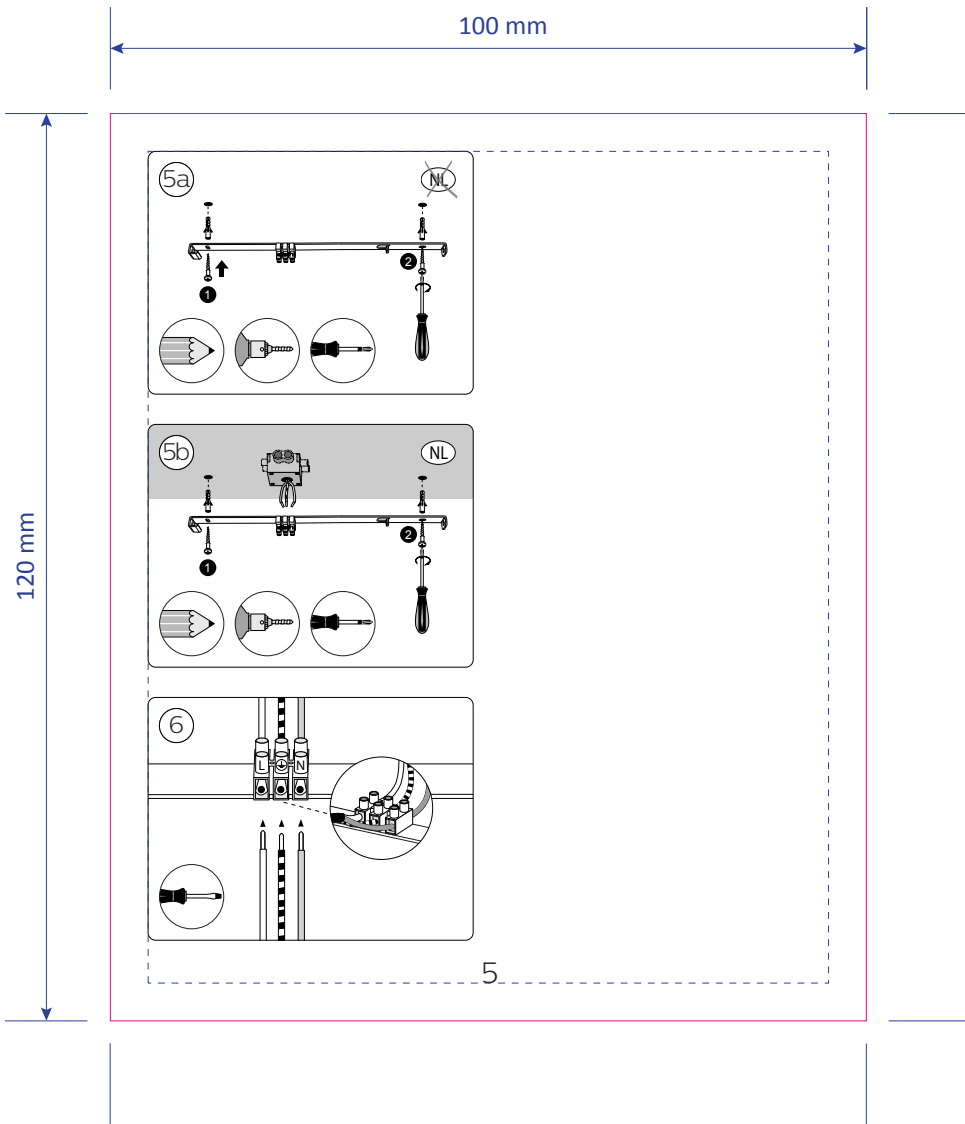
PHILIPS



TRIDENT
 Trident UK, Connaught House, Connaught Road,
 Kingswood Business Park, Hull, HU7 3AP, England.
 T: +44 (0) 01482 828100

Please note that any low resolution paper Canon colour copies associated with this job should be referred to for content, layout and colour separation only.

UNDER NO CIRCUMSTANCES SHOULD THIS ARTWORK BE ALTERED WITHOUT PRIOR PERMISSION FROM TRIDENT.



ARTWORK

Master Ref: **PHL449172**
 TR Ref: **TR2052562**
 Brand: PHILIPS
 Brand execution: HUE White
 Product name:
 Article Number: 50610/**/P7
 Region: Trident UK
 Template Ref: As Previous
 Artwork 12NC: 440402912672
 Die cut 12NC:
 Barcode: N/A
 CRC Number:
 Action: **D**
 Date: 01/02/2021

Project Manager: Arno van den Biggelaar

Trident Artist: Olii Hayton

Technical & Non Printing Items

■ Dieline ■ Guides

Colours:

| | |
|-------|------|
| Black | 1 |
| | 1/TH |

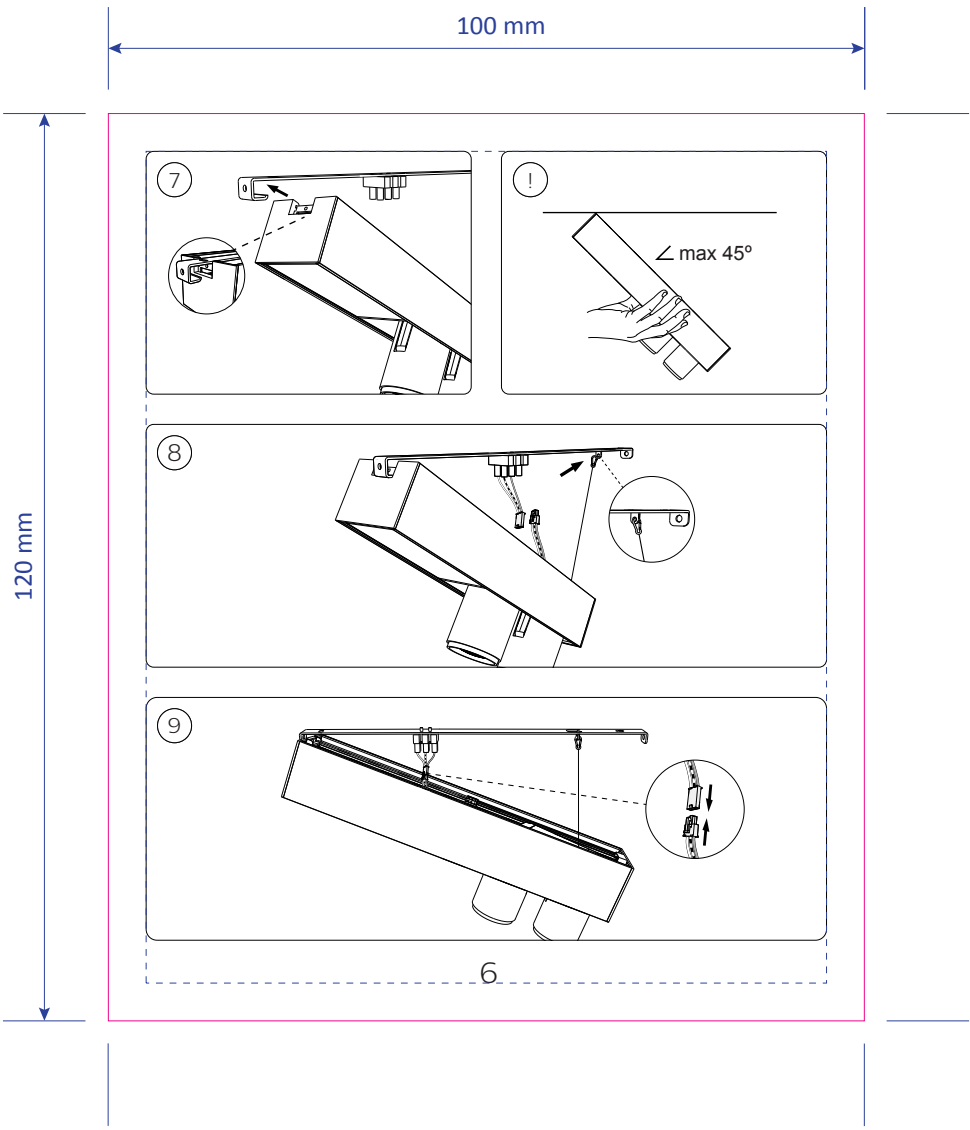
PHILIPS



Trident UK, Connaught House, Connaught Road,
 Kingswood Business Park, Hull, HU7 3AP, England.
 T: +44 (0) 01482 828100

Please note that any low resolution paper Canon colour
 copies associated with this job should be referred to for
 content, layout and colour separation only.

UNDER NO CIRCUMSTANCES SHOULD THIS
 ARTWORK BE ALTERED WITHOUT PRIOR
 PERMISSION FROM TRIDENT.



ARTWORK

| | |
|------------------|------------------|
| Master Ref: | PHL449172 |
| TR Ref: | TR2052562 |
| Brand: | PHILIPS |
| Brand execution: | HUE White |
| Product name: | |
| Article Number: | 50610/**/P7 |
| Region: | Trident UK |
| Template Ref: | As Previous |
| Artwork 12NC: | 440402912672 |
| Die cut 12NC: | |
| Barcode: | N/A |
| CRC Number: | |
| Action: | D |
| Date: | 01/02/2021 |

Project Manager: Arno van den Biggelaar

Trident Artist: Olii Hayton

Technical & Non Printing Items
■ Dieline ■ Guides

Colours:

| | |
|-------|------|
| Black | 1 |
| | 1/TH |

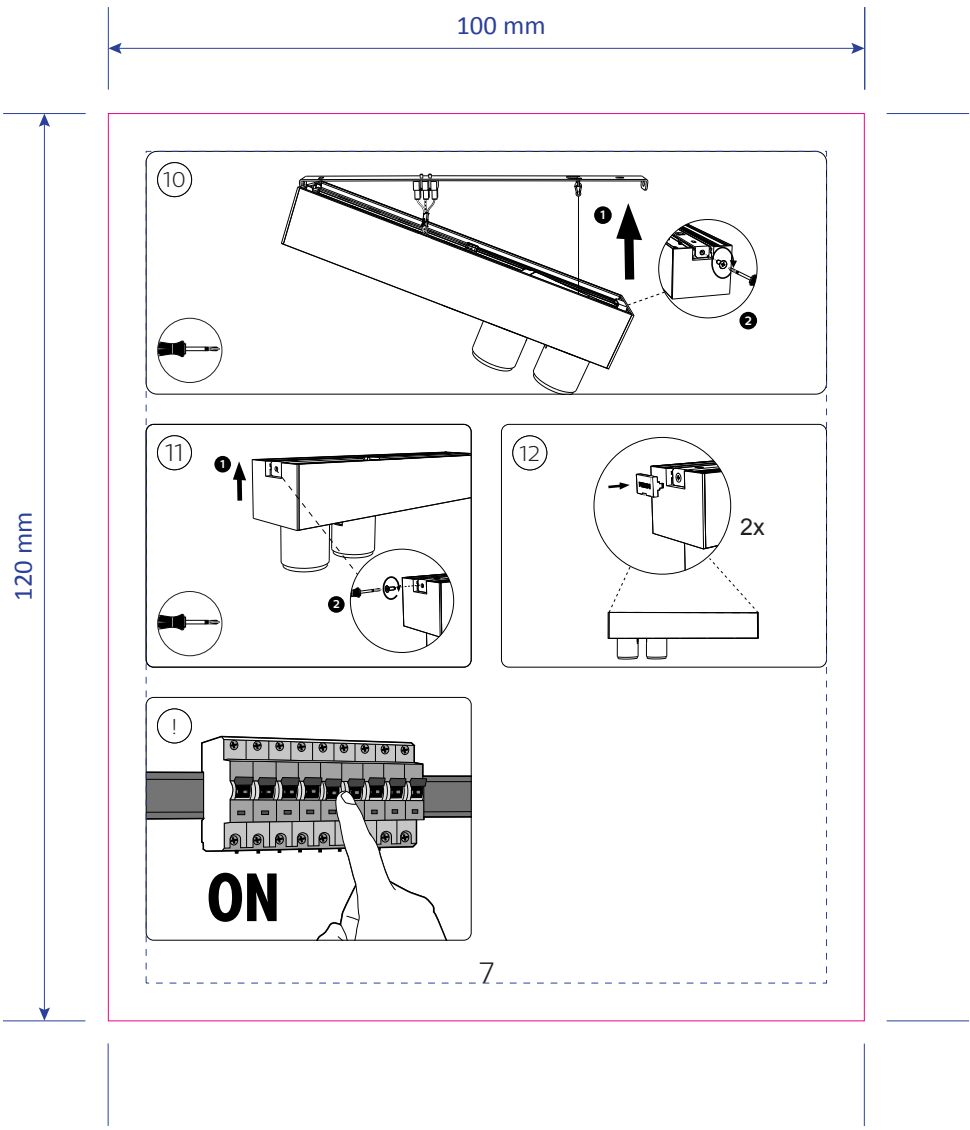
PHILIPS



TRIDENT
 Trident UK, Connaught House, Connaught Road,
 Kingswood Business Park, Hull, HU7 3AP, England.
 T: +44 (0) 01482 828100

Please note that any low resolution paper Canon colour copies associated with this job should be referred to for content, layout and colour separation only.

UNDER NO CIRCUMSTANCES SHOULD THIS ARTWORK BE ALTERED WITHOUT PRIOR PERMISSION FROM TRIDENT.



ARTWORK

| | |
|------------------|------------------|
| Master Ref: | PHL449172 |
| TR Ref: | TR2052562 |
| Brand: | PHILIPS |
| Brand execution: | HUE White |
| Product name: | |
| Article Number: | 50610/**/P7 |
| Region: | Trident UK |
| Template Ref: | As Previous |
| Artwork 12NC: | 440402912672 |
| Die cut 12NC: | |
| Barcode: | N/A |
| CRC Number: | |
| Action: | D |
| Date: | 01/02/2021 |

Project Manager: Arno van den Biggelaar

Trident Artist: Olii Hayton

Technical & Non Printing Items
■ Dieline ■ Guides

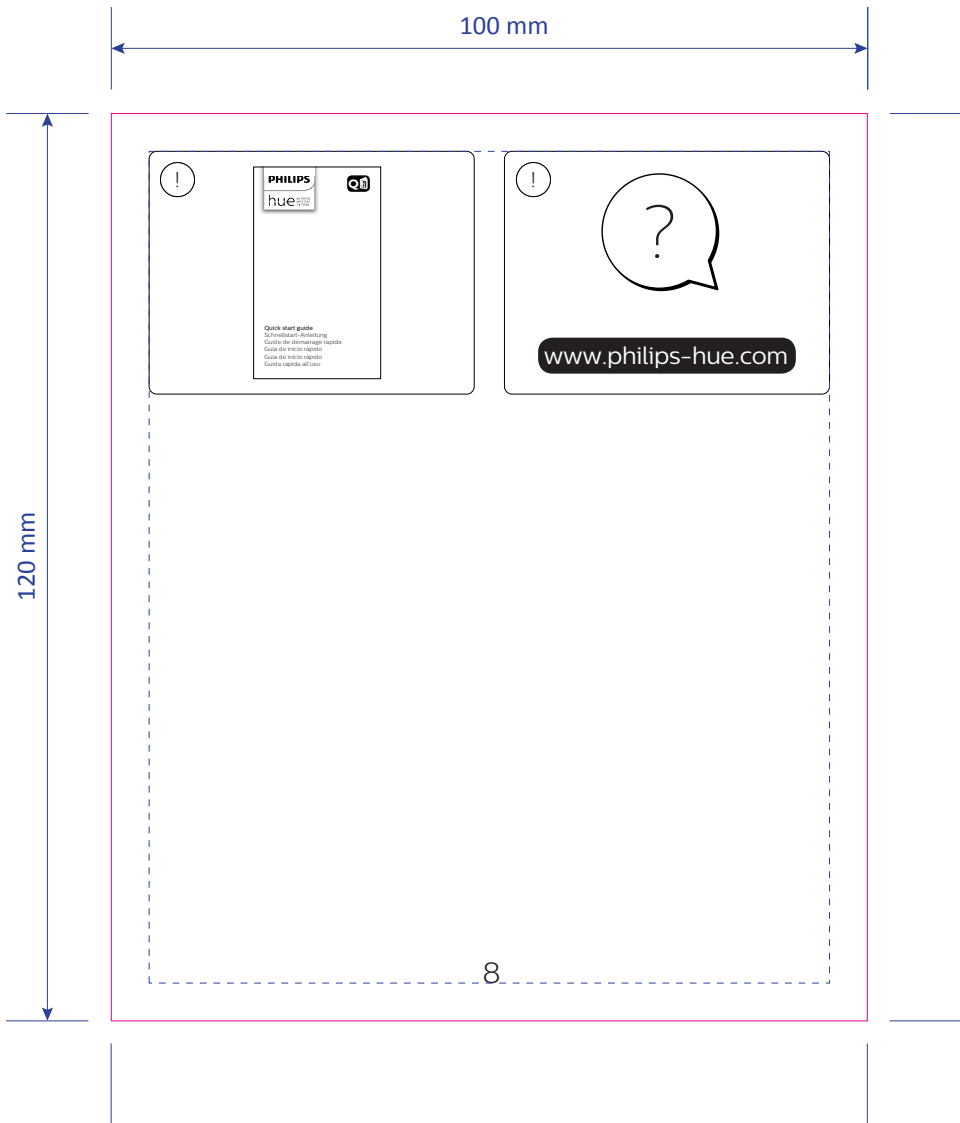
Colours:

| | |
|-------|-----|
| Black | 1 |
| | 12H |



Please note that any low resolution paper Canon colour copies associated with this job should be referred to for content, layout and colour separation only.

UNDER NO CIRCUMSTANCES SHOULD THIS ARTWORK BE ALTERED WITHOUT PRIOR PERMISSION FROM TRIDENT.



ARTWORK

| | |
|------------------|------------------|
| Master Ref: | PHL449172 |
| TR Ref: | TR2052562 |
| Brand: | PHILIPS |
| Brand execution: | HUE White |
| Product name: | |
| Article Number: | 50610/**/P7 |
| Region: | Trident UK |
| Template Ref: | As Previous |
| Artwork 12NC: | 440402912672 |
| Die cut 12NC: | |
| Barcode: | N/A |
| CRC Number: | |
| Action: | D |
| Date: | 01/02/2021 |

Project Manager: Arno van den Biggelaar

Trident Artist: Olii Hayton

Technical & Non Printing Items
■ Dieline ■ Guides

Colours:

| | |
|-------|-----|
| Black | 1 |
| | ETH |

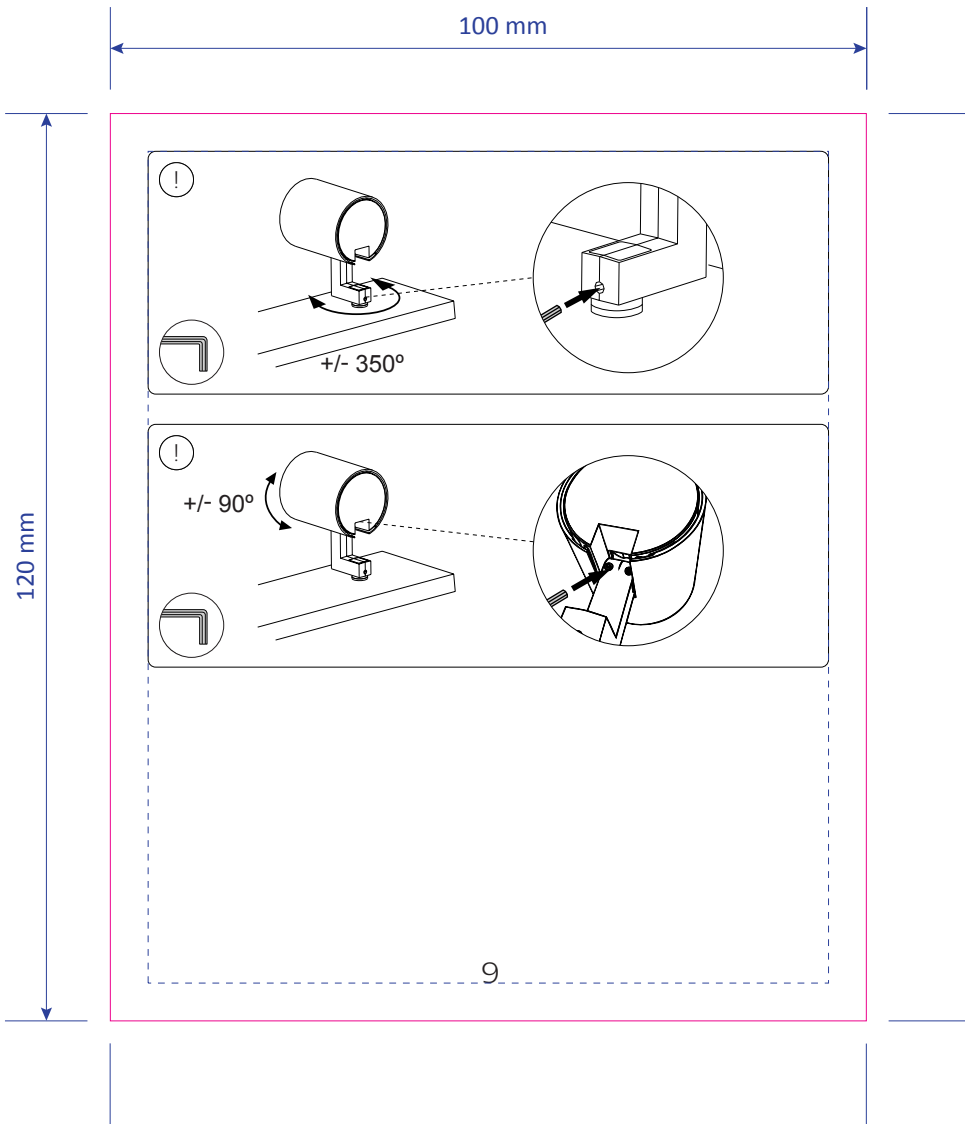
PHILIPS



TRIDENT
 Trident UK, Connaught House, Connaught Road,
 Kingswood Business Park, Hull, HU7 3AP, England.
 T: +44 (0) 01482 828100

Please note that any low resolution paper Canon colour copies associated with this job should be referred to for content, layout and colour separation only.

UNDER NO CIRCUMSTANCES SHOULD THIS ARTWORK BE ALTERED WITHOUT PRIOR PERMISSION FROM TRIDENT.



ARTWORK

Master Ref: **PHL449172**
 TR Ref: **TR2052562**
 Brand: PHILIPS
 Brand execution: HUE White
 Product name:
 Article Number: 50610/**/P7
 Region: Trident UK
 Template Ref: As Previous
 Artwork 12NC: 440402912672
 Die cut 12NC:
 Barcode: N/A
 CRC Number:
 Action: **D**
 Date: 01/02/2021

Project Manager: Arno van den Biggelaar

Trident Artist: Olii Hayton

Technical & Non Printing Items

█ Dieline █ Guides

Colours:



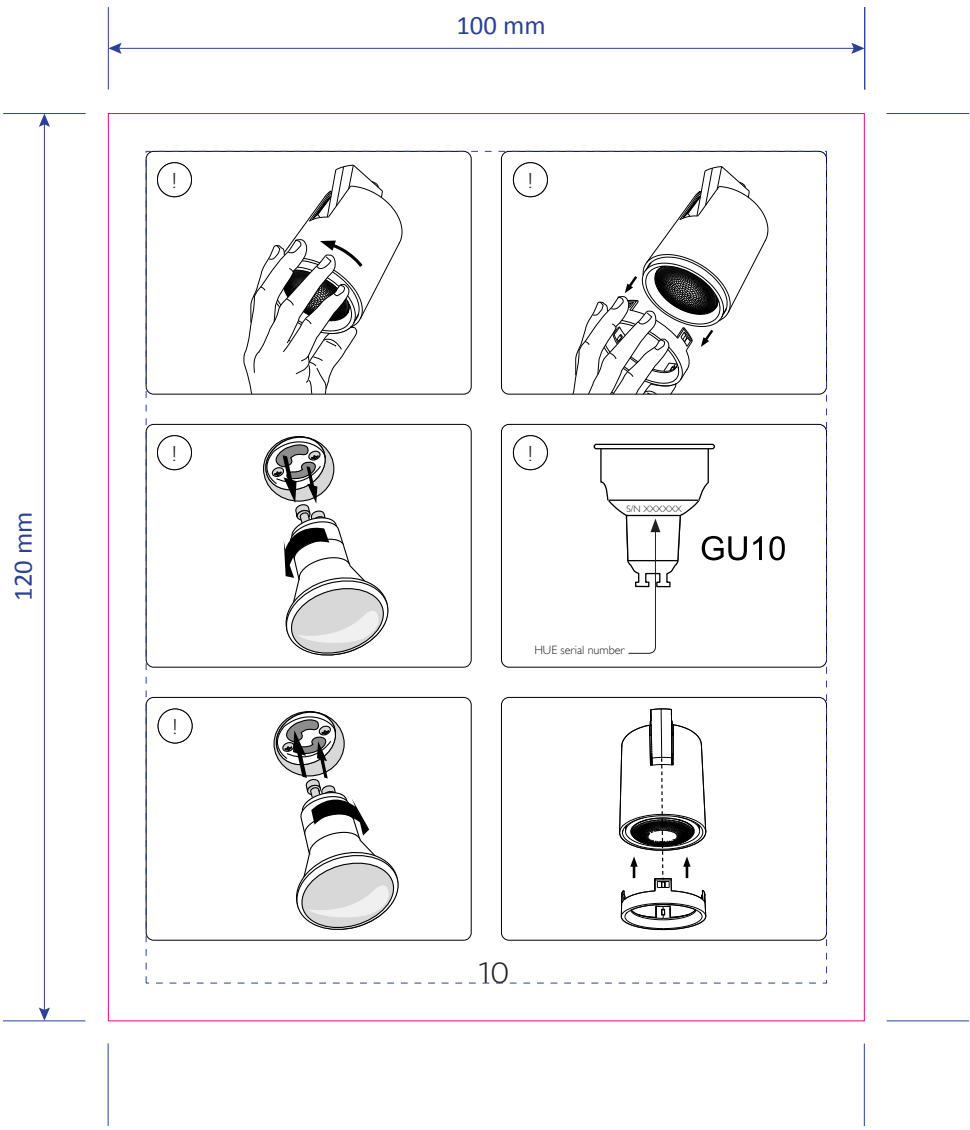
PHILIPS



Trident UK, Connaught House, Connaught Road,
 Kingswood Business Park, Hull, HU7 3AP, England.
 T: +44 (0) 01482 828100

Please note that any low resolution paper Canon colour copies associated with this job should be referred to for content, layout and colour separation only.

UNDER NO CIRCUMSTANCES SHOULD THIS ARTWORK BE ALTERED WITHOUT PRIOR PERMISSION FROM TRIDENT.



ARTWORK

Master Ref: **PHL449172**
 TR Ref: **TR2052562**
 Brand: PHILIPS
 Brand execution: HUE White
 Product name:
 Article Number: 50610/**/P7
 Region: Trident UK
 Template Ref: As Previous
 Artwork 12NC: 440402912672
 Die cut 12NC:
 Barcode: N/A
 CRC Number:
 Action: **D**
 Date: 01/02/2021

Project Manager: Arno van den Biggelaar

Trident Artist: Olii Hayton

Technical & Non Printing Items
■ Dieline ■ Guides

Colours:

| | |
|-------|------|
| Black | 1 |
| | 1/TH |

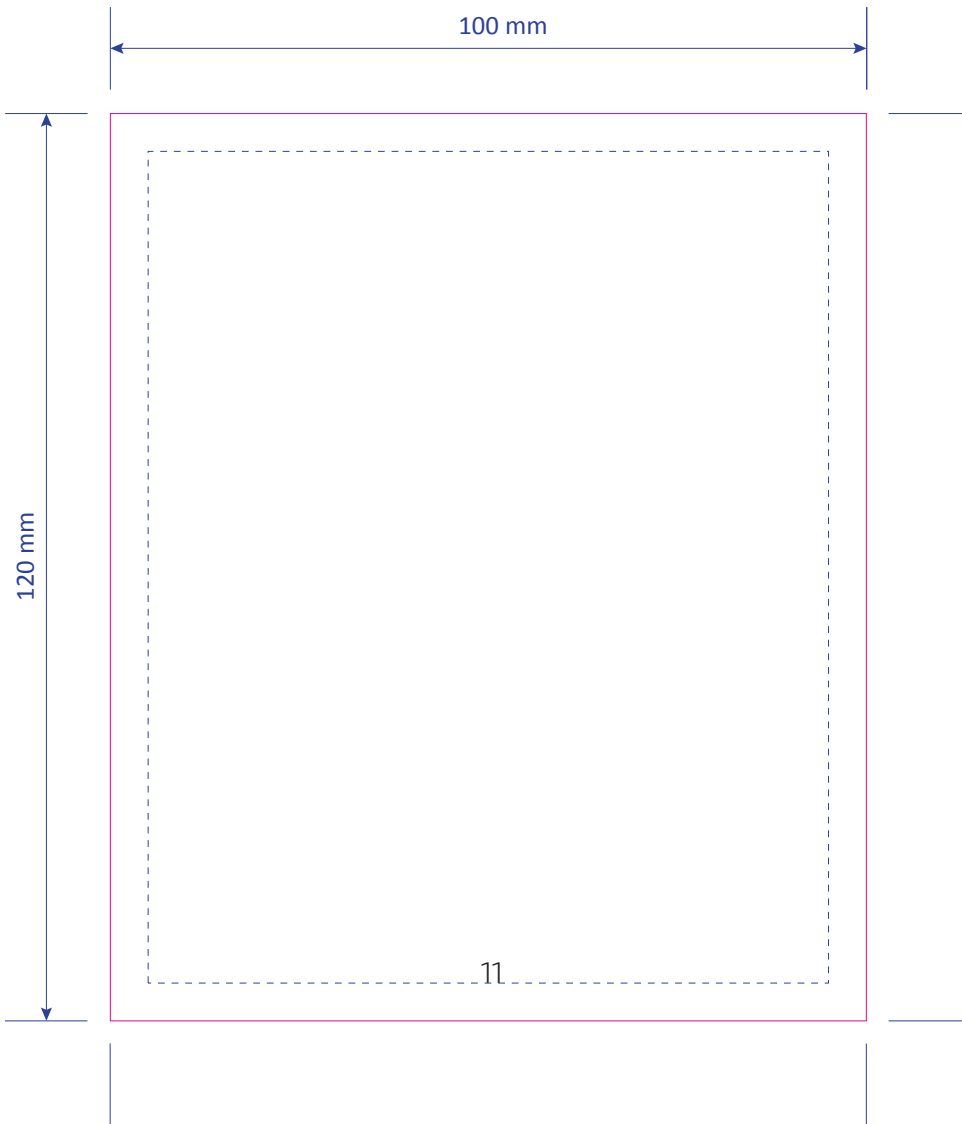
PHILIPS



TRIDENT
 Trident UK, Connaught House, Connaught Road,
 Kingswood Business Park, Hull, HU7 3AP, England.
 T: +44 (0) 01482 828100

Please note that any low resolution paper Canon colour copies associated with this job should be referred to for content, layout and colour separation only.

UNDER NO CIRCUMSTANCES SHOULD THIS ARTWORK BE ALTERED WITHOUT PRIOR PERMISSION FROM TRIDENT.



ARTWORK

Master Ref: **PHL449172**
 TR Ref: **TR2052562**
 Brand: PHILIPS
 Brand execution: HUE White
 Product name:
 Article Number: 50610/**/P7
 Region: Trident UK
 Template Ref: As Previous
 Artwork Ref: 440402912672
 Die cut 12NC:
 Barcode: N/A
 CRC Number:
 Action: **D**
 Date: 01/02/2021

Project Manager: Arno van den Biggelaar

Trident Artist: Olii Hayton

Technical & Non Printing Items

■ Dieline ■ Guides

Colours:



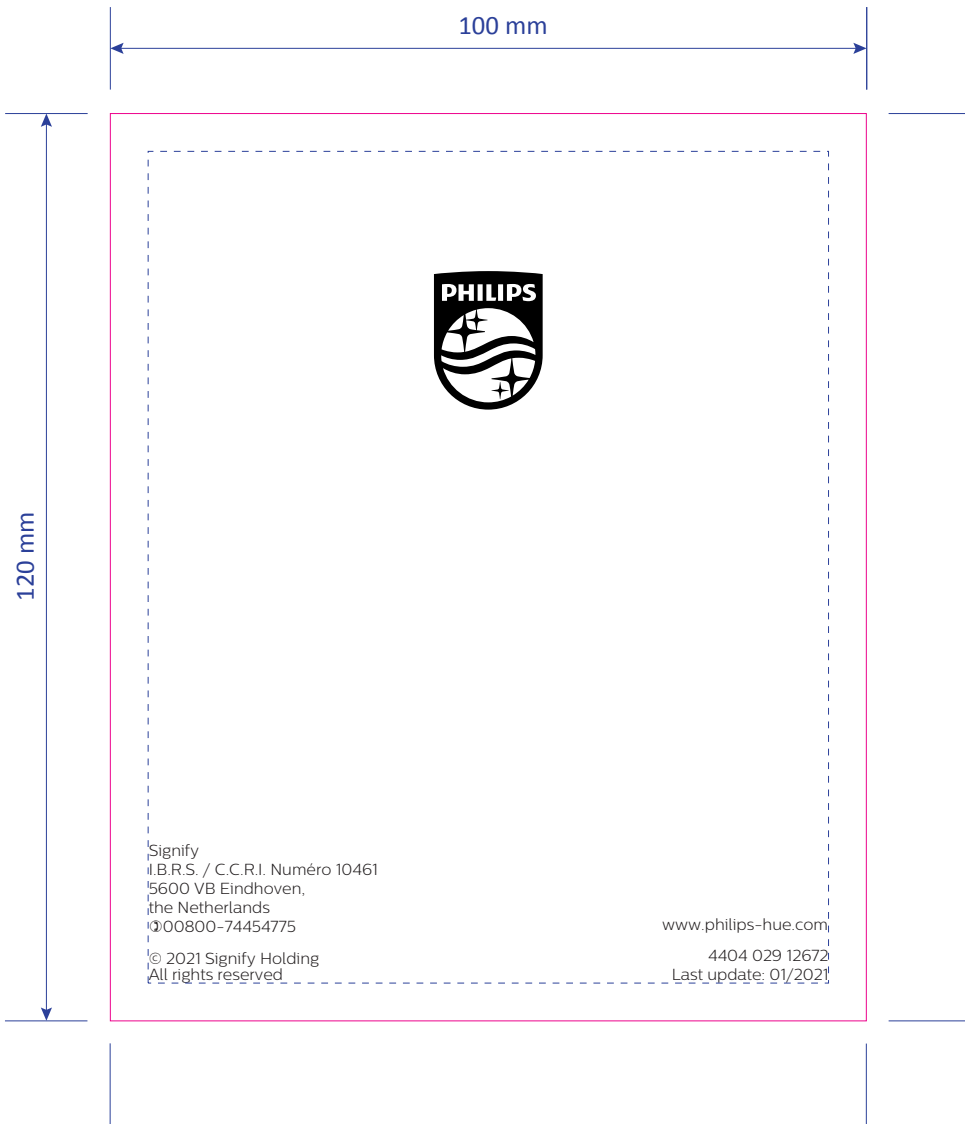
PHILIPS



Trident UK, Connaught House, Connaught Road,
 Kingswood Business Park, Hull, HU7 3AP, England.
 T: +44 (0) 01482 828100

Please note that any low resolution paper Canon colour copies associated with this job should be referred to for content, layout and colour separation only.

UNDER NO CIRCUMSTANCES SHOULD THIS ARTWORK BE ALTERED WITHOUT PRIOR PERMISSION FROM TRIDENT.



ARTWORK

Master Ref: **PHL449172**
 TR Ref: **TR2052562**
 Brand: PHILIPS
 Brand execution: HUE White
 Product name:
 Article Number: 50610/**/P7
 Region: Trident UK
 Template Ref: As Previous
 Artwork 12NC: 440402912672
 Die cut 12NC:
 Barcode: N/A
 CRC Number:
 Action: **D**
 Date: 01/02/2021

Project Manager: Arno van den Biggelaar

Trident Artist: Olii Hayton

Technical & Non Printing Items

■ Dieline ■ Guides

Colours:



PHILIPS



Trident UK, Connaught House, Connaught Road,
 Kingswood Business Park, Hull, HU7 3AP, England.
 T: +44 (0) 01482 828100

Please note that any low resolution paper Canon colour
 copies associated with this job should be referred to for
 content, layout and colour separation only.

UNDER NO CIRCUMSTANCES SHOULD THIS
 ARTWORK BE ALTERED WITHOUT PRIOR
 PERMISSION FROM TRIDENT.