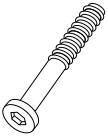






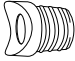
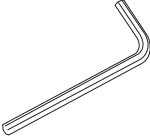
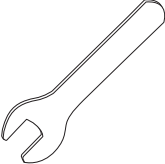
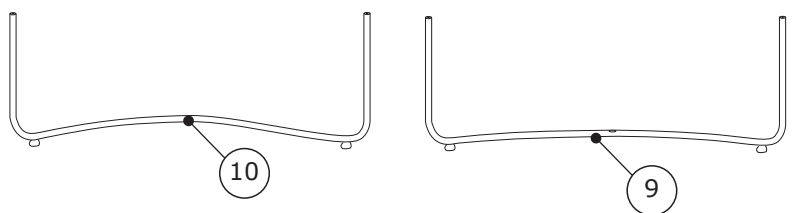
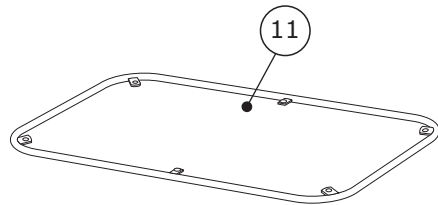
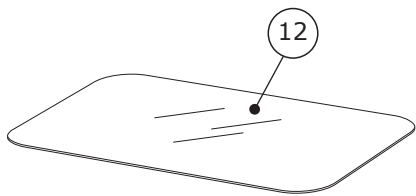
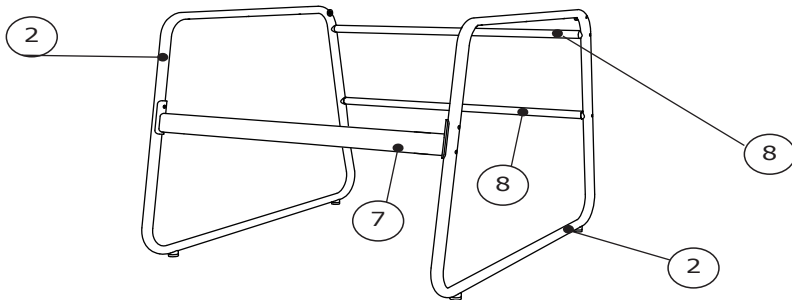
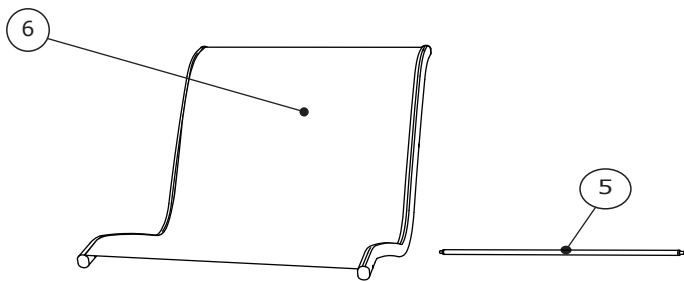
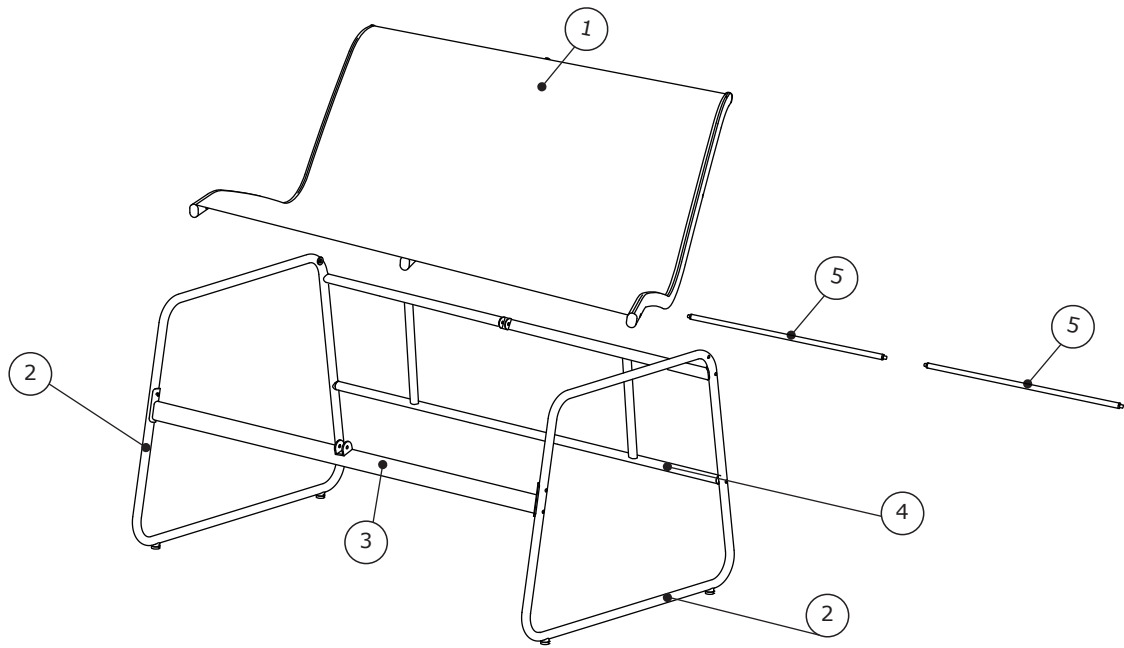


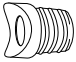
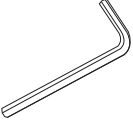
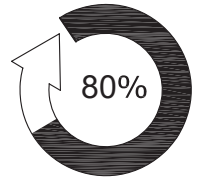
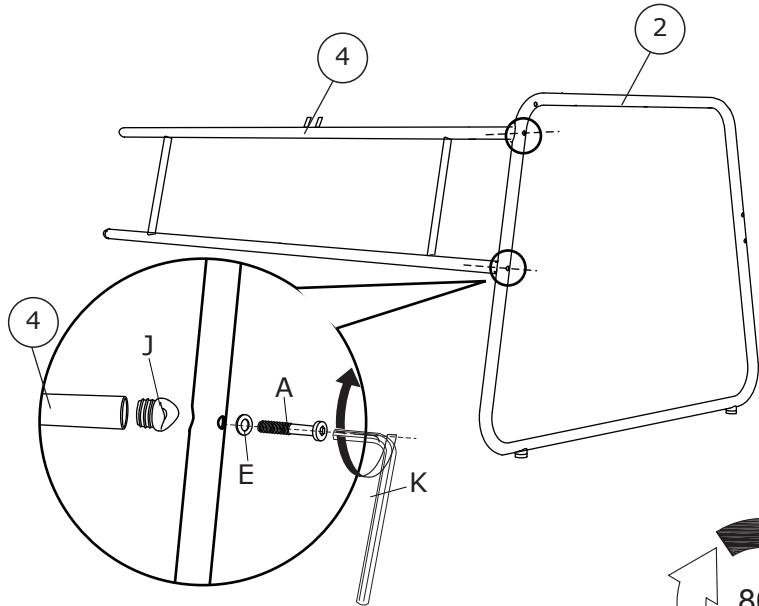
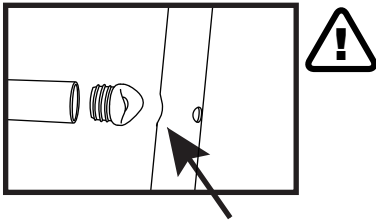
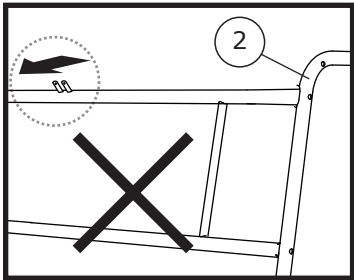
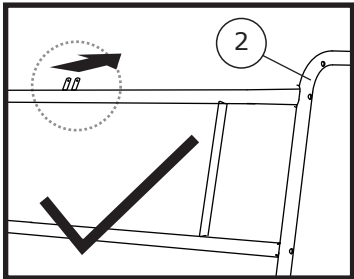


<p>Ax30</p> 	<p>Bx7</p> 	<p>Dx6</p> 	<p>Ex51</p> 
<p>Fx14</p> 	<p>Gx37</p> 	<p>Hx14</p> 	<p>Jx12</p> 
<p>Kx1</p> 	<p>Lx1</p> 		



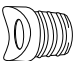
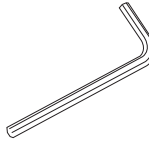


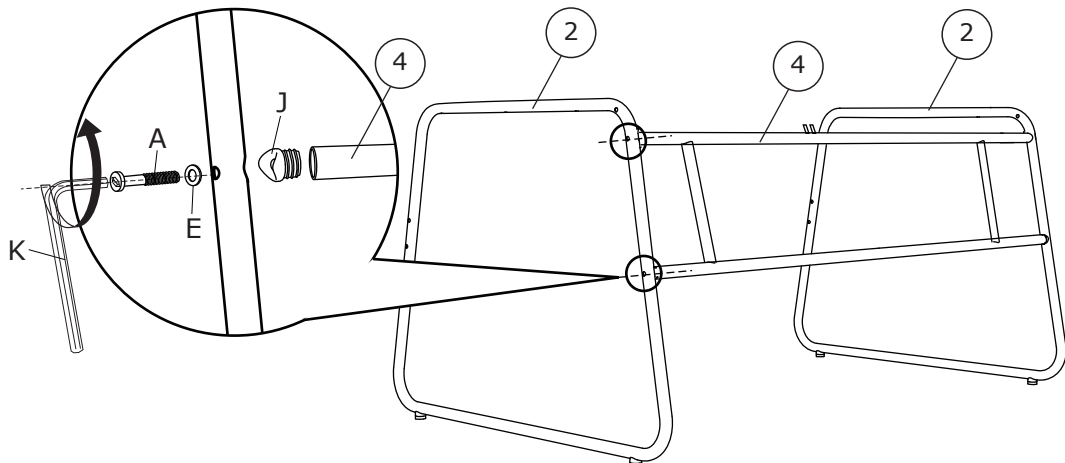
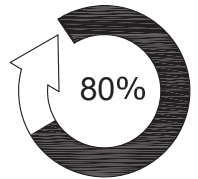
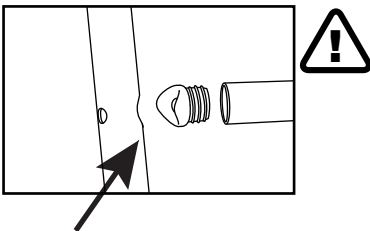
1

Ax2 	Ex2 	Jx2 	Kx1 	
--	--	--	---	--

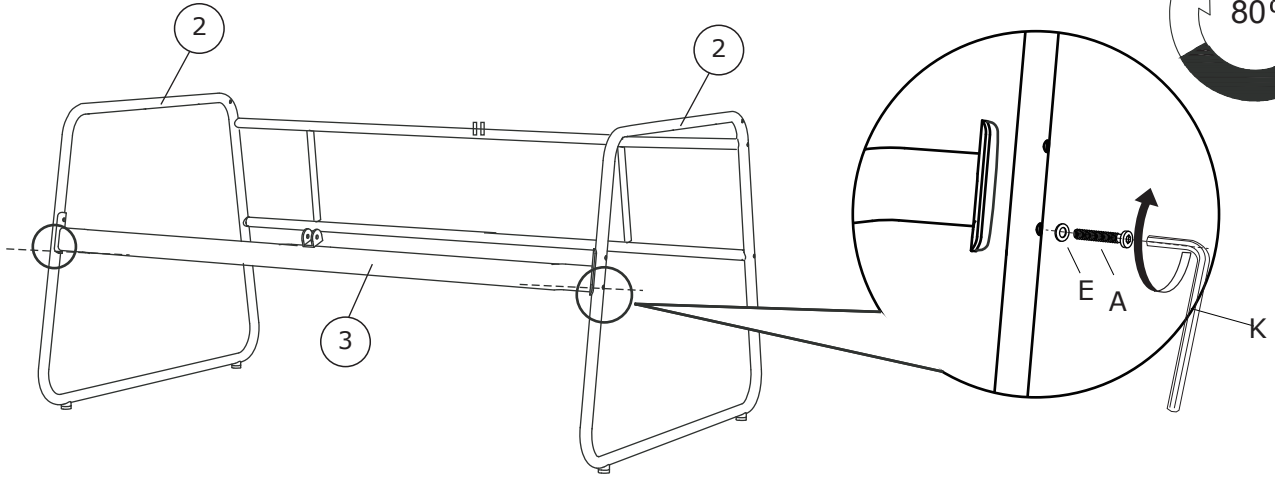
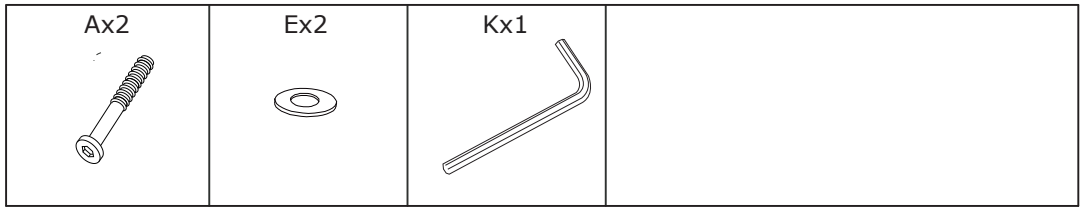


2

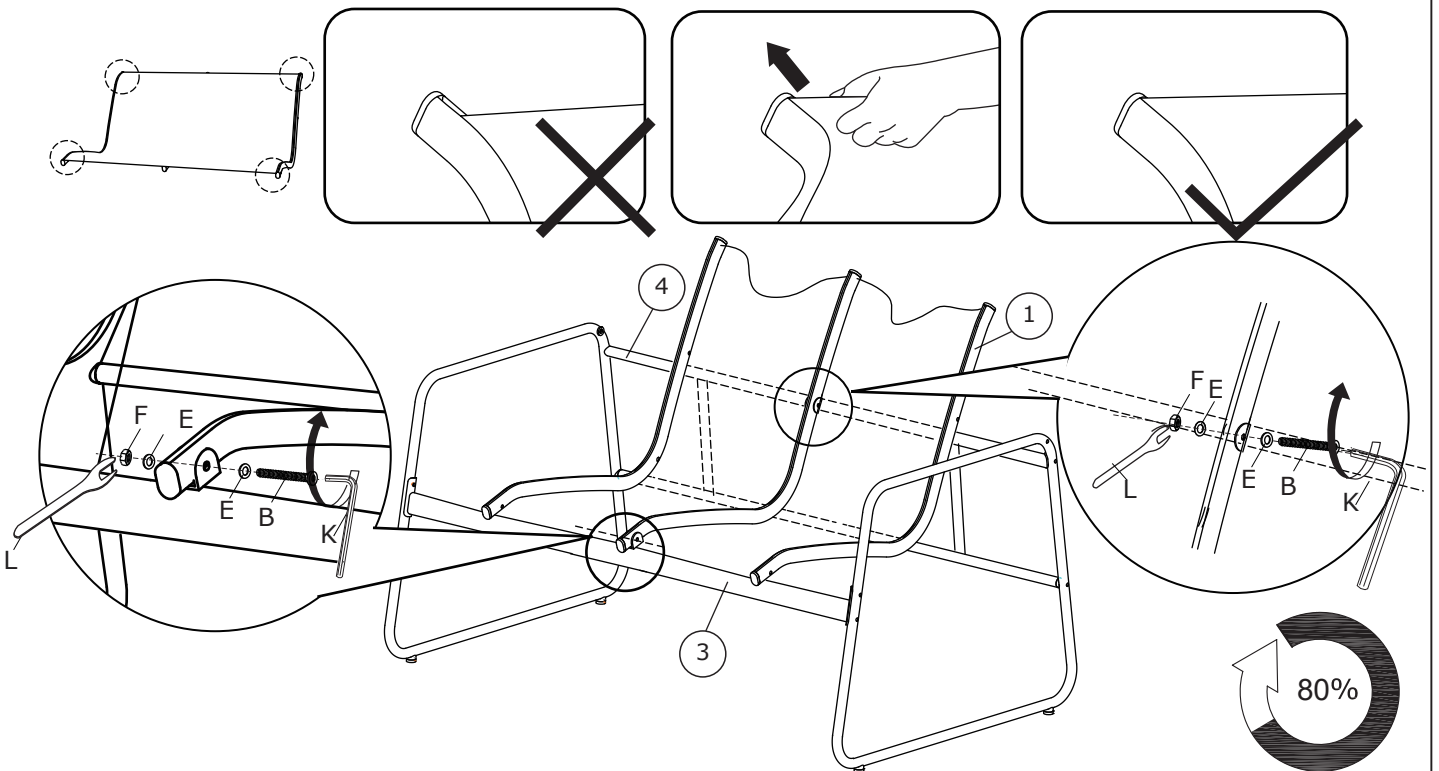
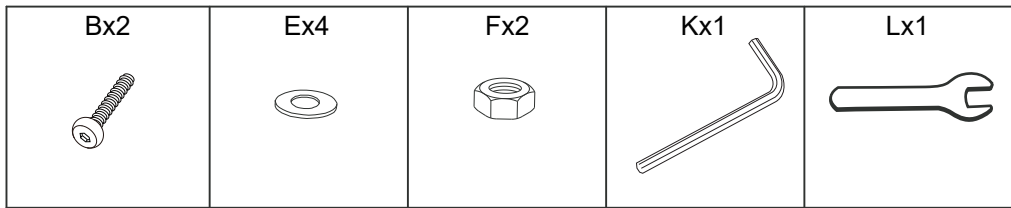
Ax2 	Ex2 	Jx2 	Kx1 	
--	--	--	---	--



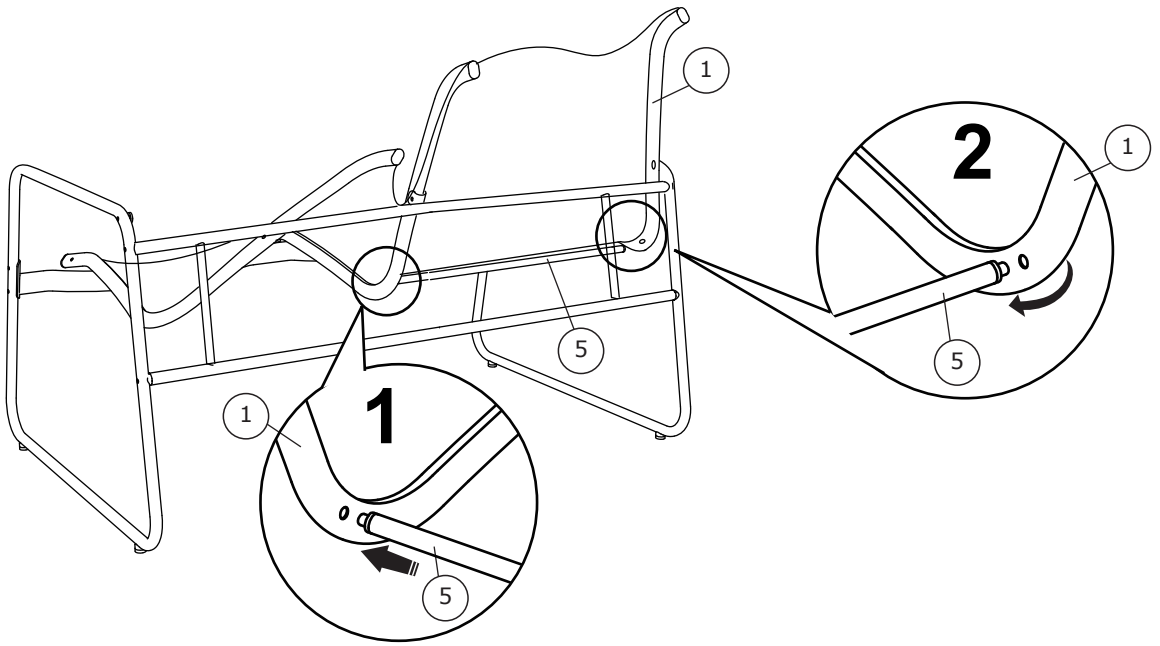
3



4

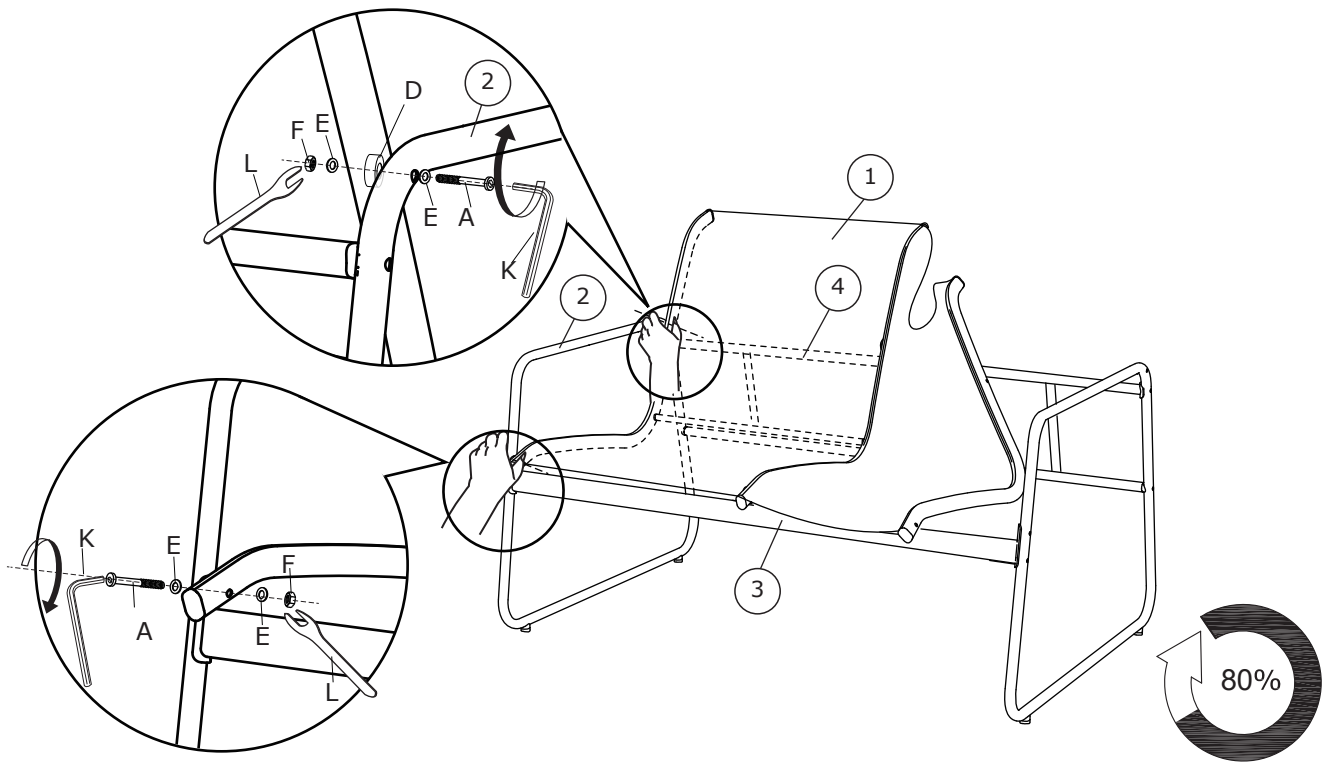


5

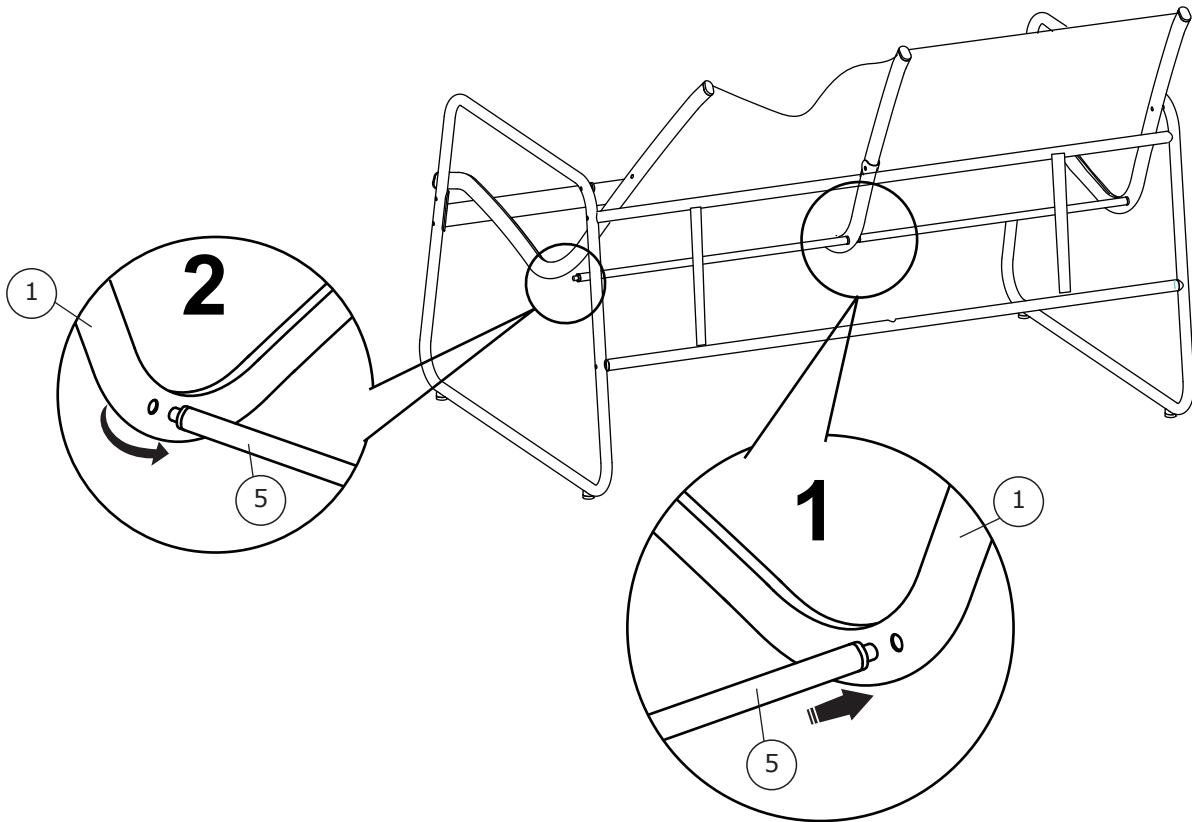


6

Ax2	Dx1	Ex4	Fx2	Kx1	Lx1

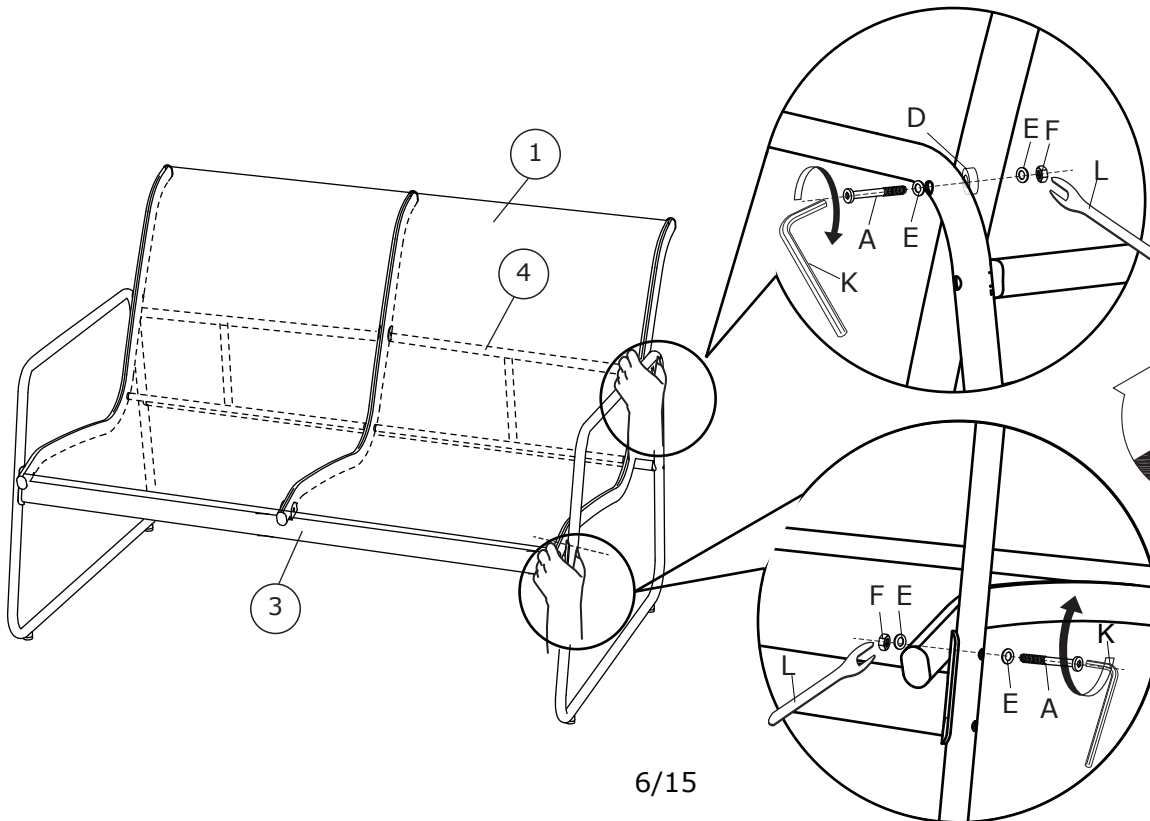


7

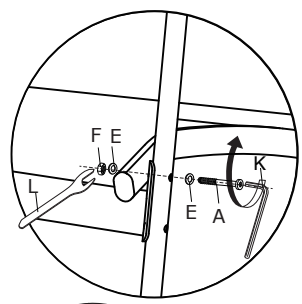
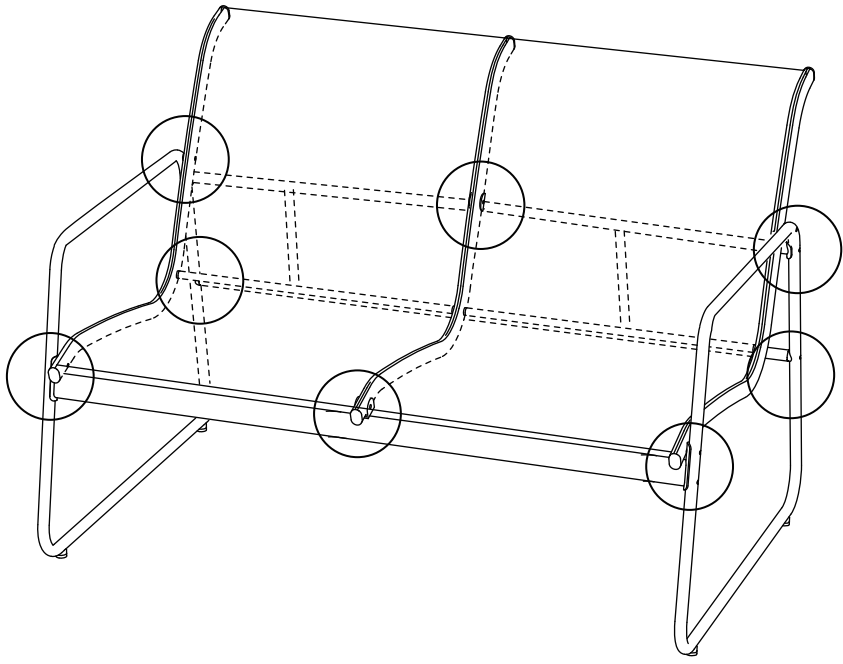


8


Ax2	Dx1	Ex4	Fx2	Kx1	Lx1

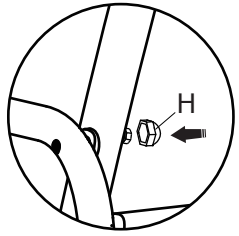
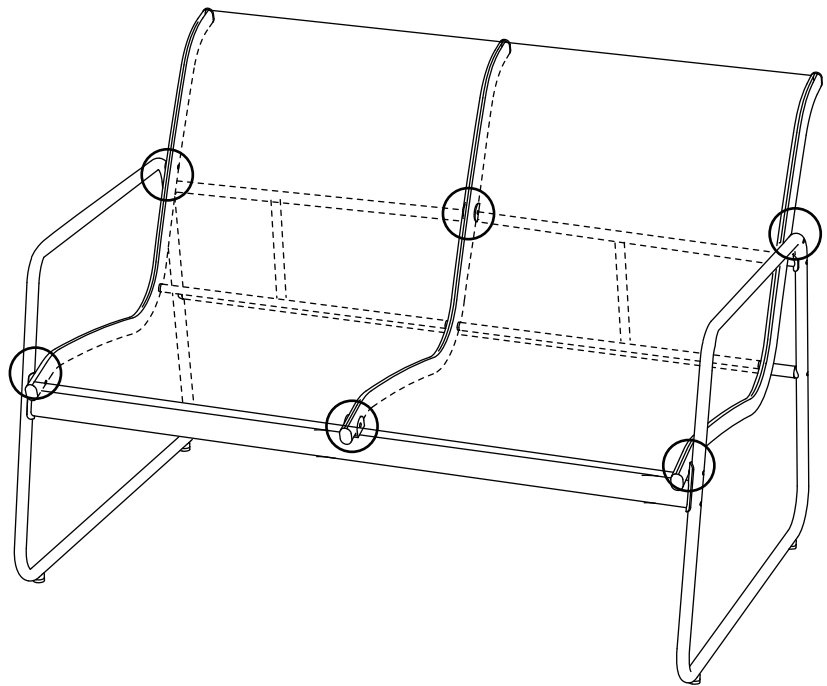


9



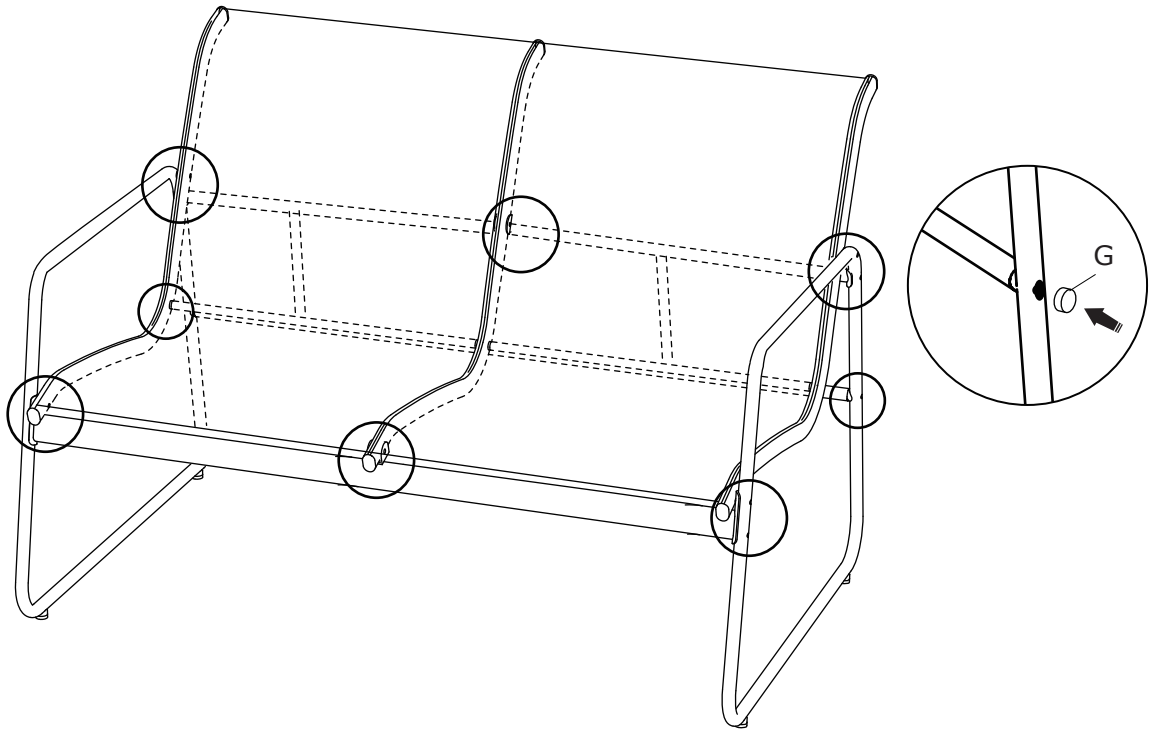
10

Hx6	
	

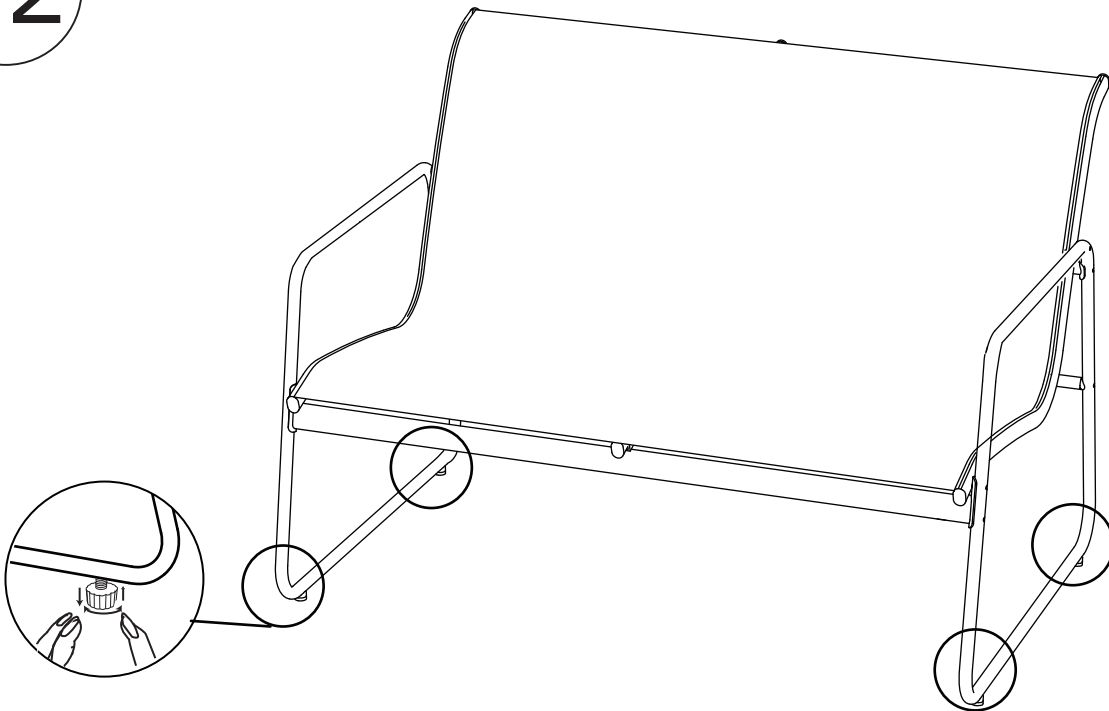


11



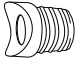
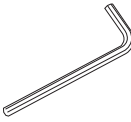
Gx12

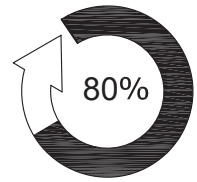
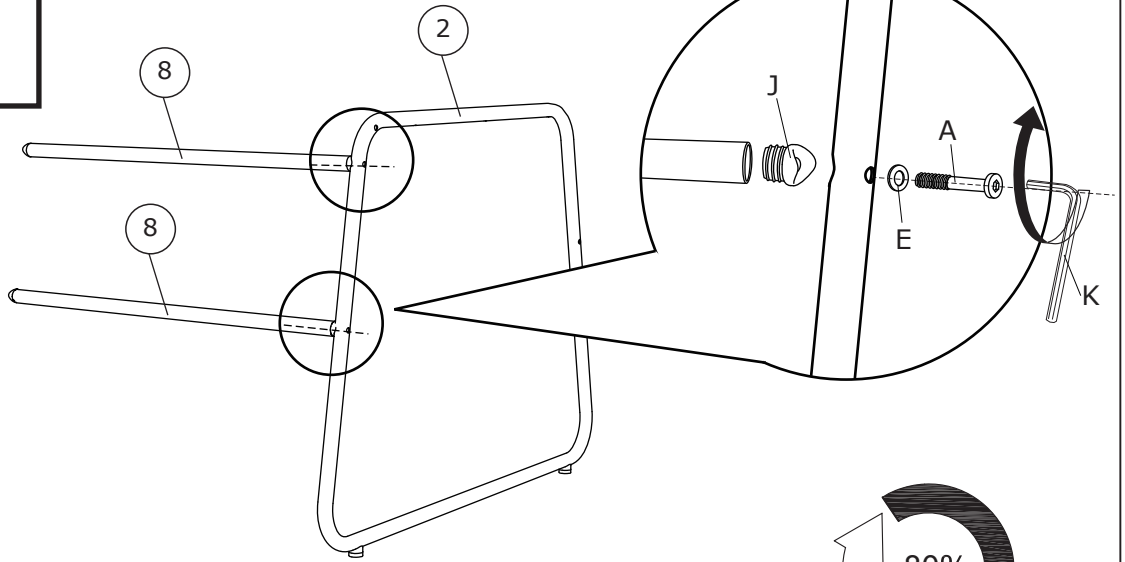
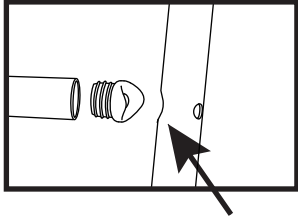


12



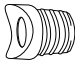
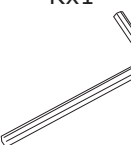


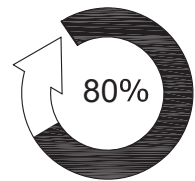
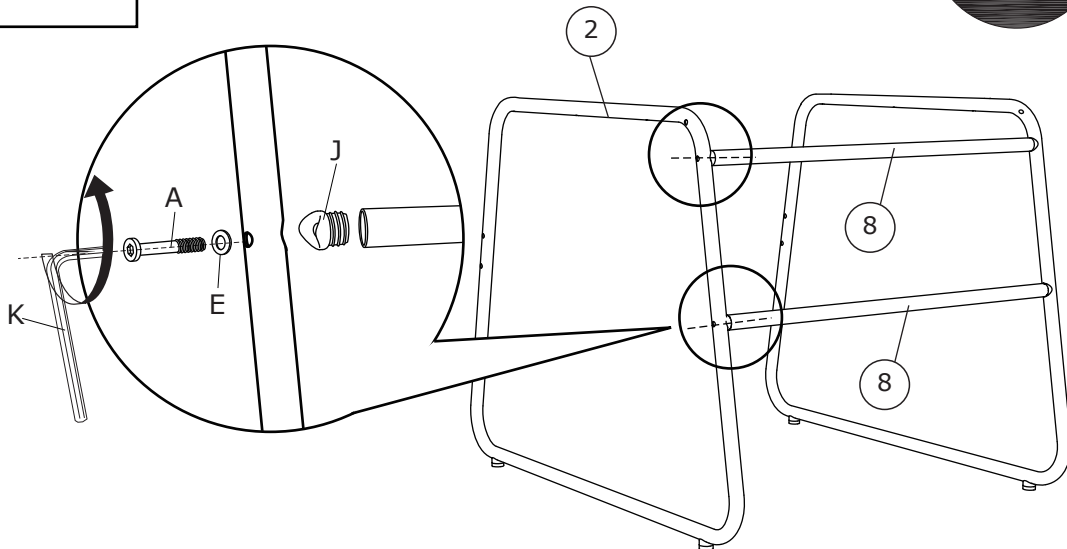
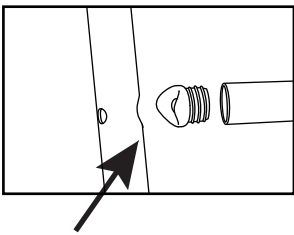
13

Ax2 	Ex2 	Jx2 	Kx1 	
--	--	--	---	--



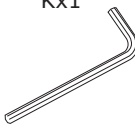


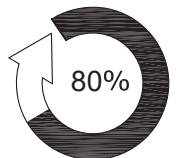
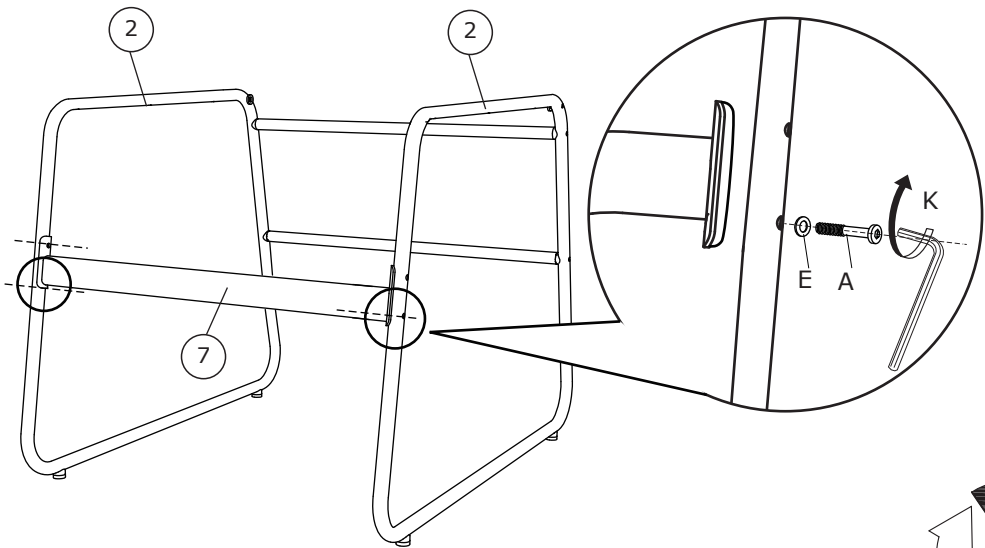
14

Ax2 	Ex2 	Jx2 	Kx1 	
--	--	--	---	--




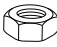
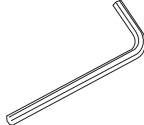



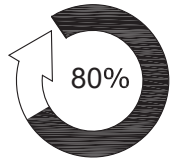
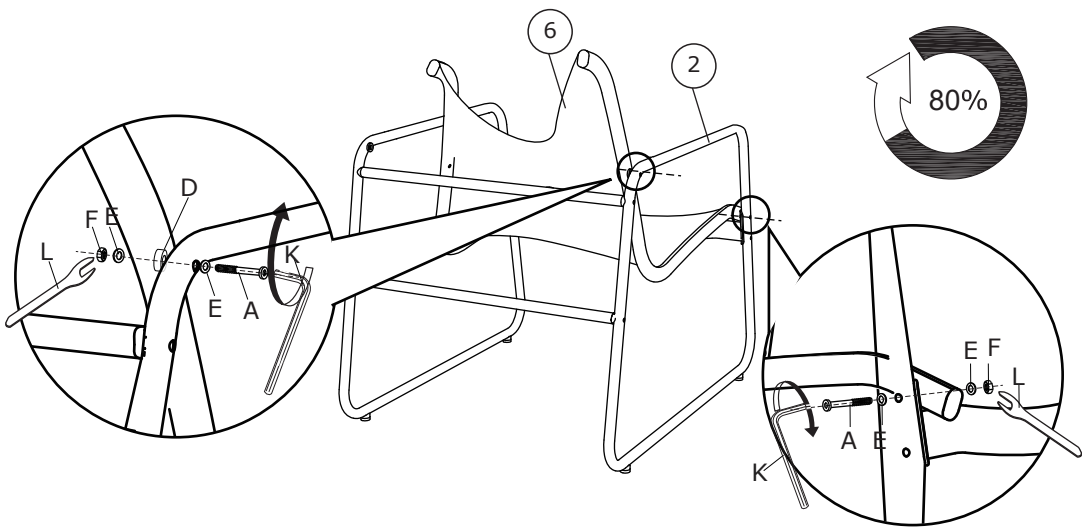
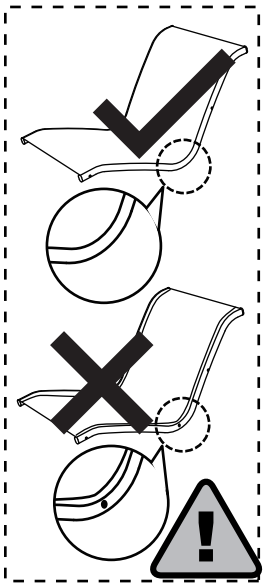
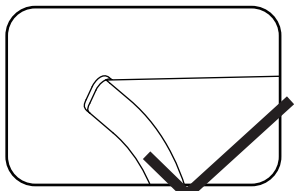
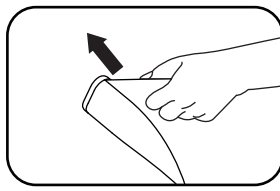
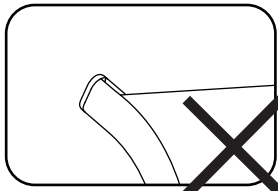
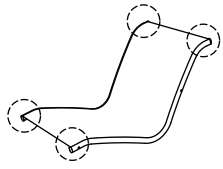
15

Ax2 	Ex2 	Kx1 	
--	--	--	--

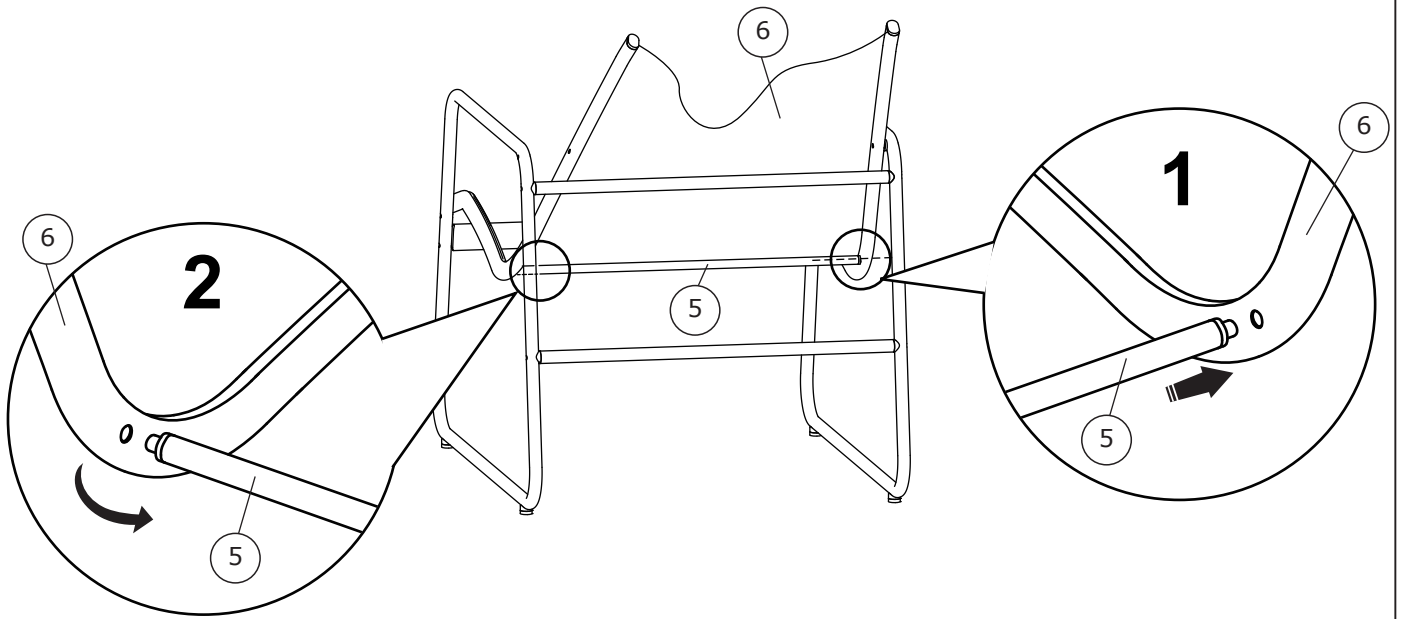


16

Ax2 	Dx1 	Ex4 	Fx2 	Kx1 	Lx1 
--	--	--	--	--	--

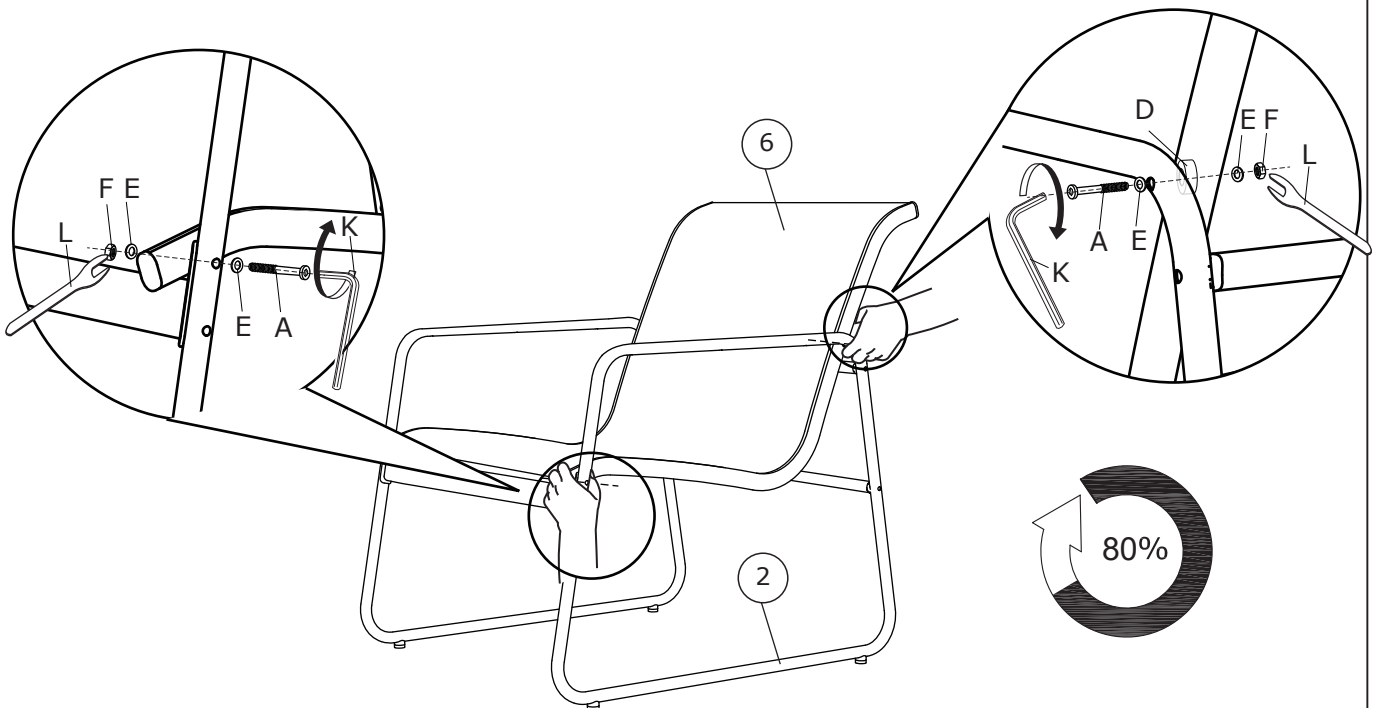


17

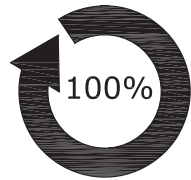
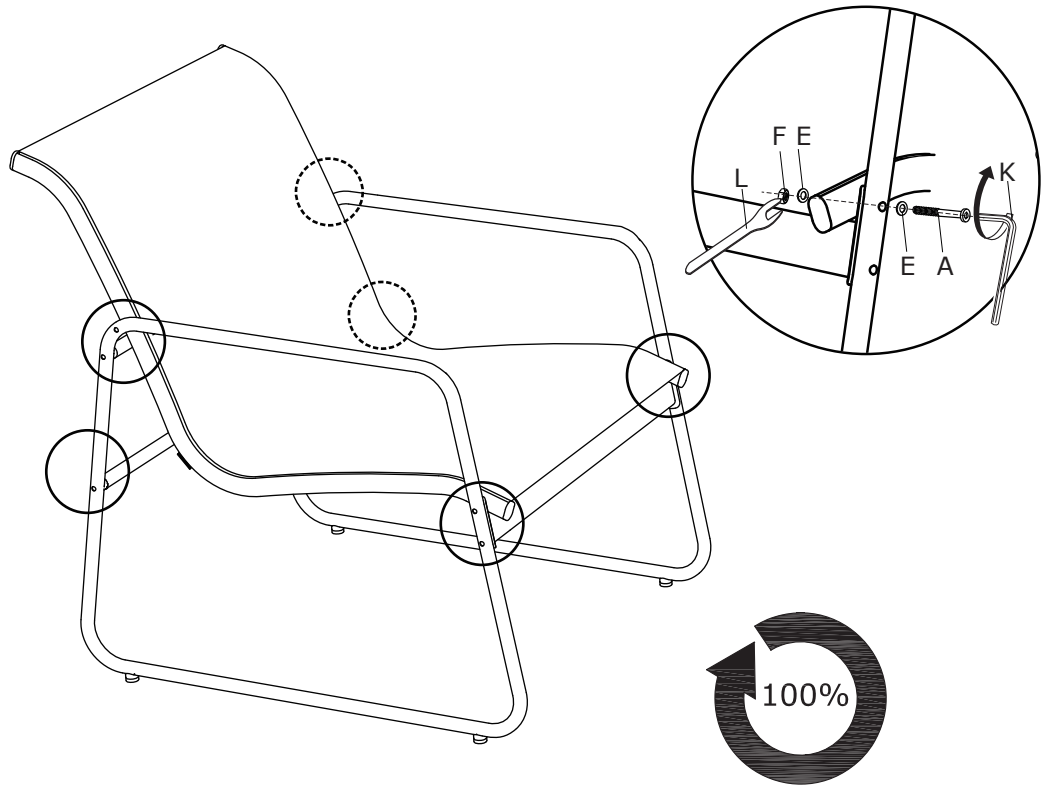


18


Ax2	Dx1	Ex4	Fx2	Kx1	Lx1

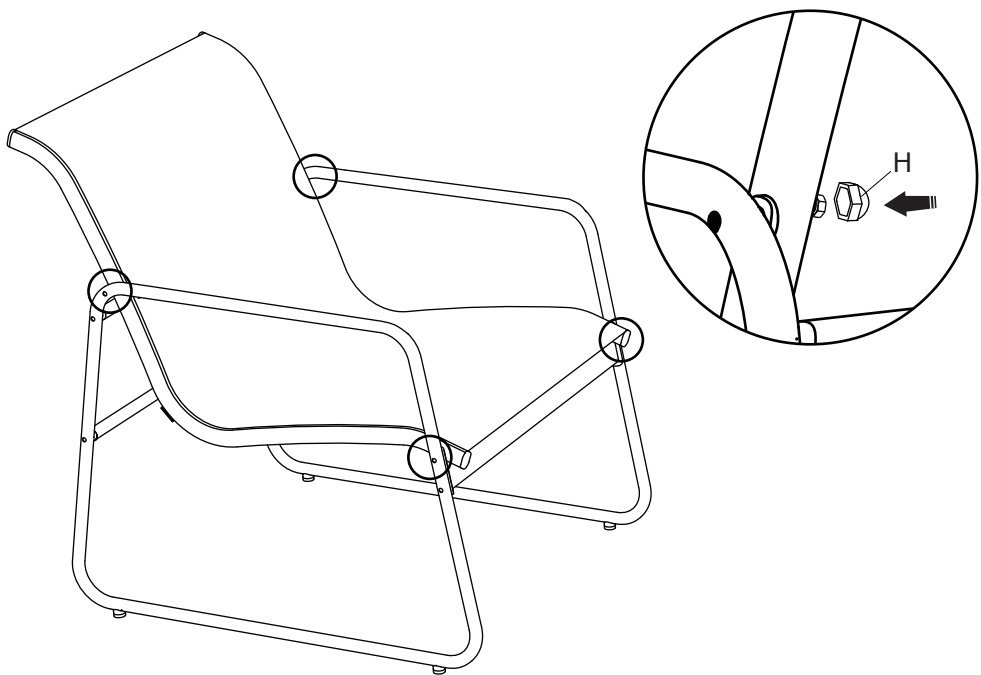


19



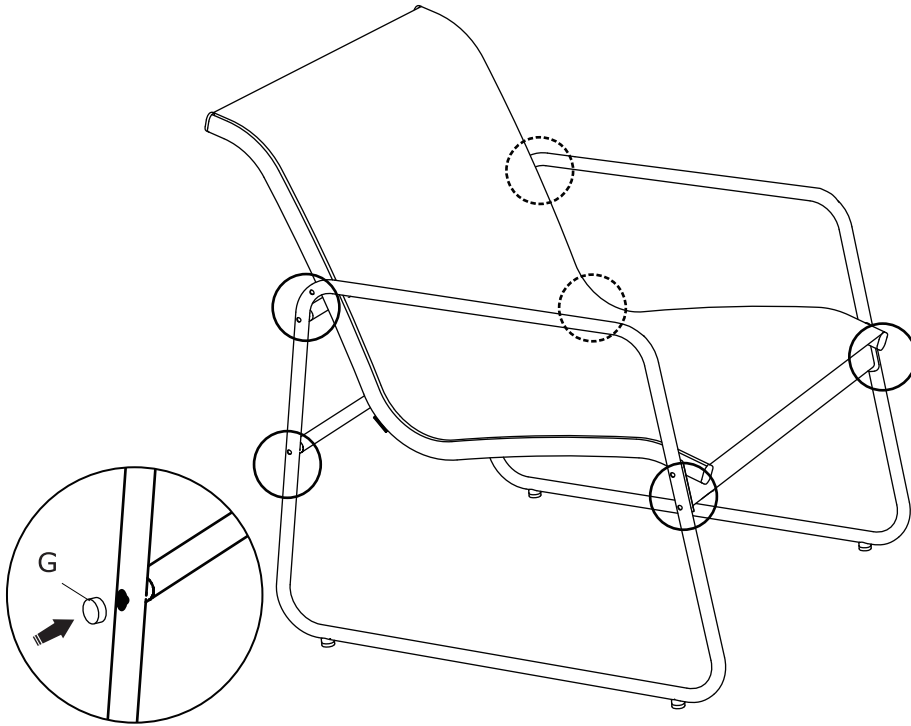
20

Hx4 	
--	--

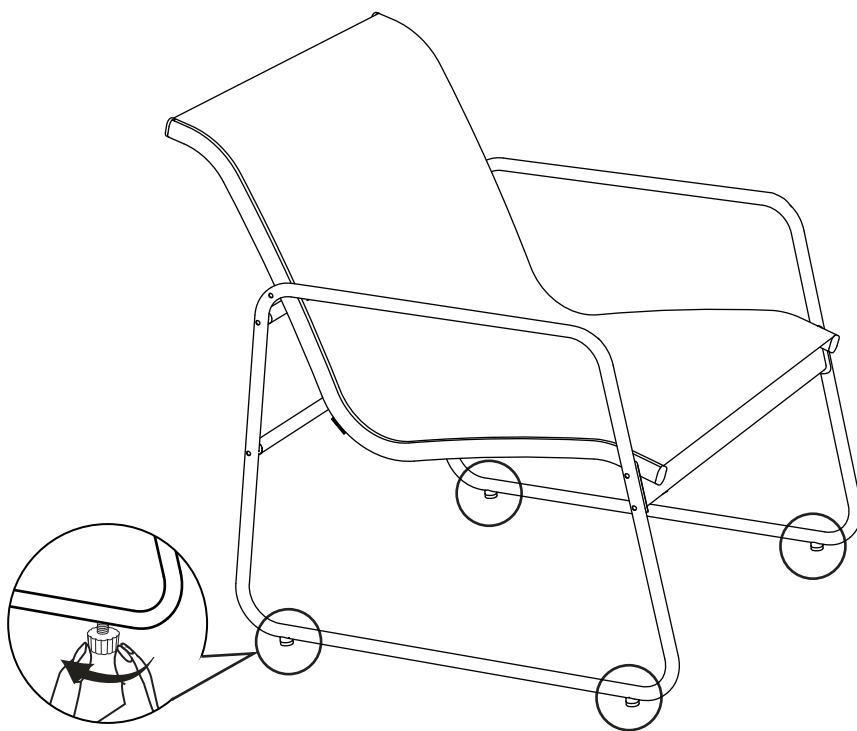


21




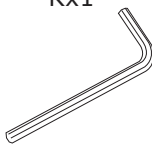
Gx10

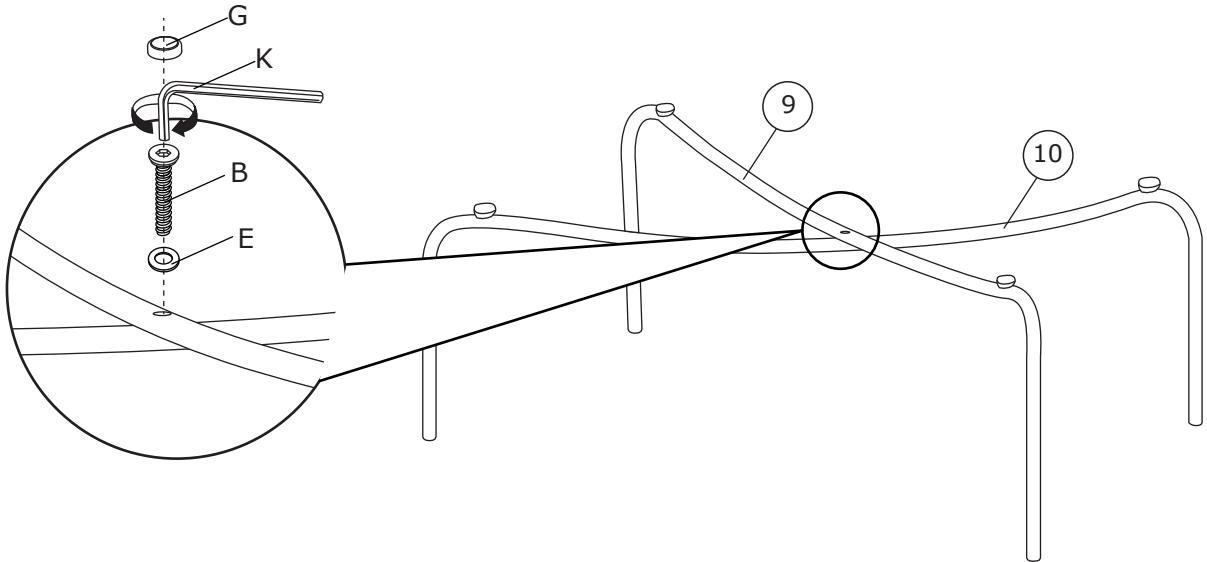


22




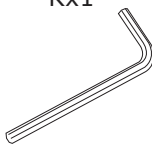


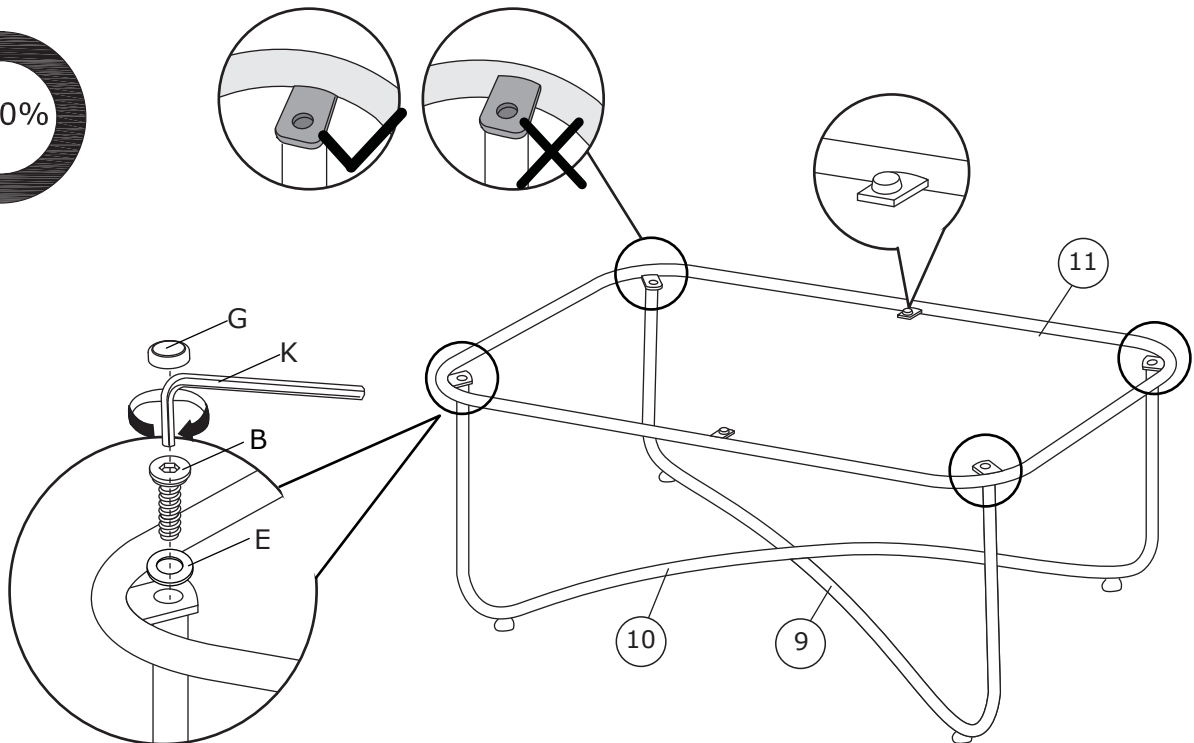
23

Bx1	Ex1	Gx1	Kx1	
				



24

Bx4	Ex4	Gx4	Kx1	
				



25

