

# ONEQ LEG BLACK

CONNECTABLE STAND FOR ONEQ FUNCTIONS  
ARTICLE NUMBER 200901800



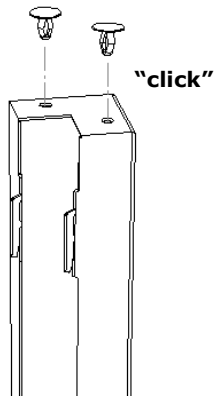
oneQ SMART OUTDOOR COOKING



oneQ B.V.  
Wateringweg 83-C  
2031 EK Haarlem  
The Netherlands  
info@one-q.com

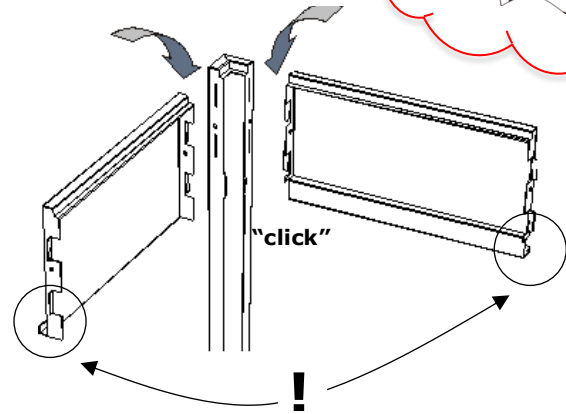
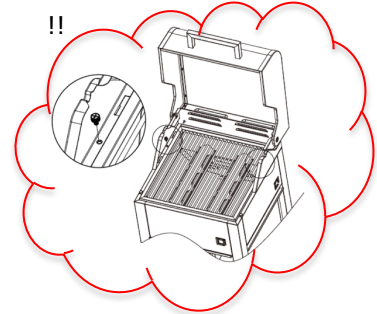
# ASSEMBLY MANUAL

01

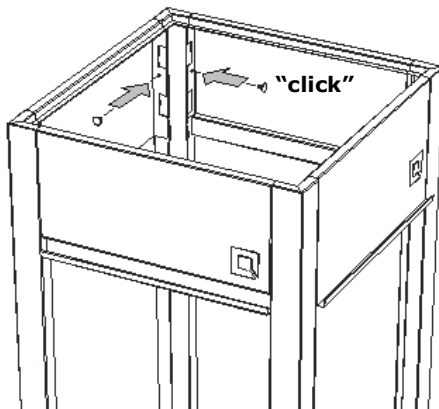


02

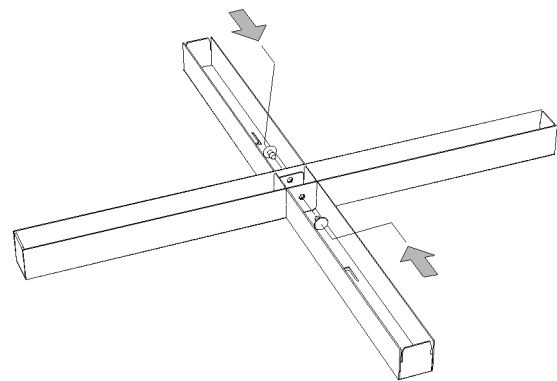
!!



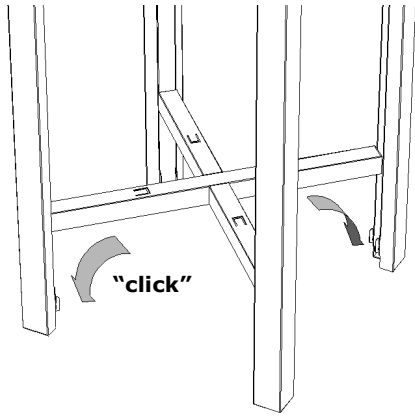
03



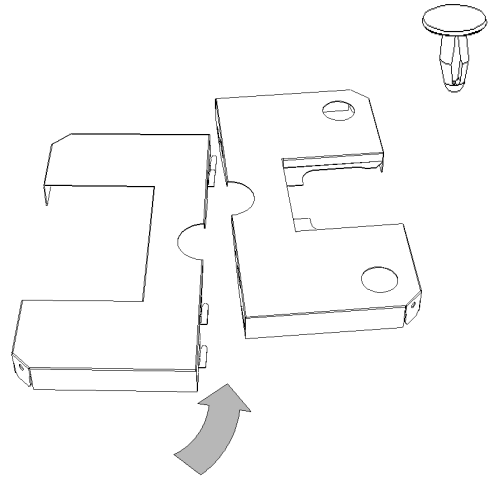
04



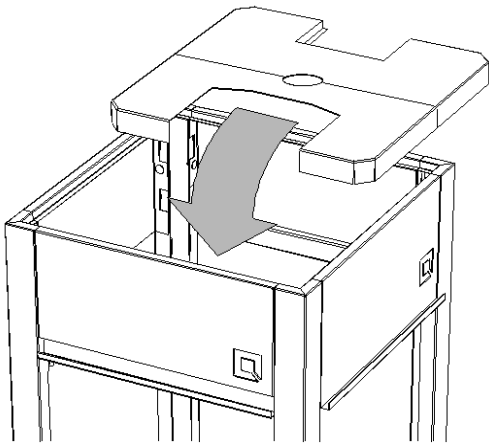
05



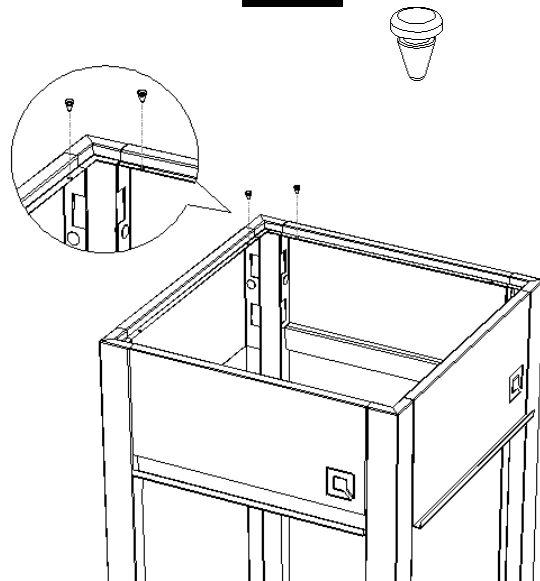
06

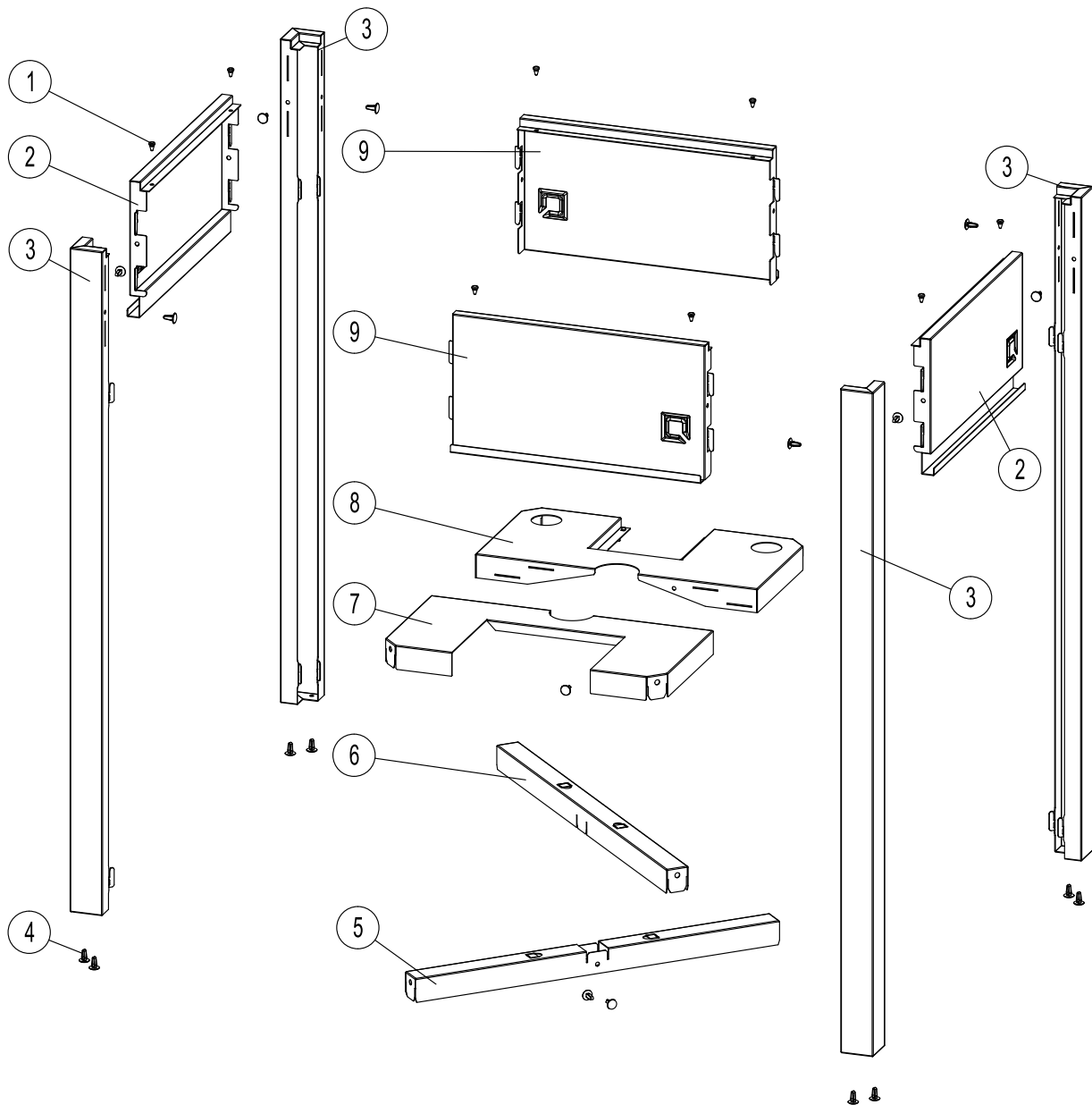


07



08





No.	Part	Code
1	Rubber Buffer	K2228
2	Side Panel Female	OneQ-L-01
3	Leg	OneQ-L-02
4	Nylon Lugs	K2227
5	Cross-1	OneQ-L-03
6	Cross-2	OneQ-L-04
7	Base Plate Stand-Male	OneQ-L-05
8	Base Plate Stand-Female	OneQ-L-06
9	Side Panel Male	OneQ-L-07