

Built-in Hood Adaptor

MANUAL

product no. 900901752



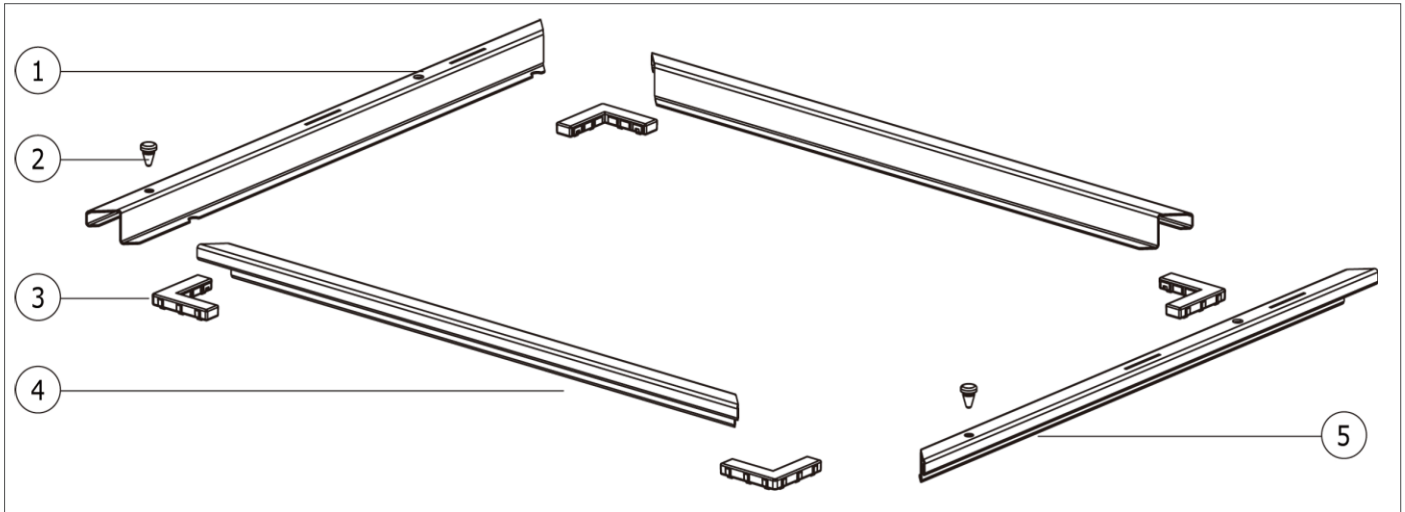
READ CAREFULLY
ZORGVULDIG LEZEN
BITTE LESEN SIE SORGFÄLTIG
LIRE ATTENTIVEMENT
LEGGERE ATTENTAMENTE
LEA CUIDADOSAMENTE

ONEQ SMART OUTDOOR COOKING



Built-in Hood Adaptor

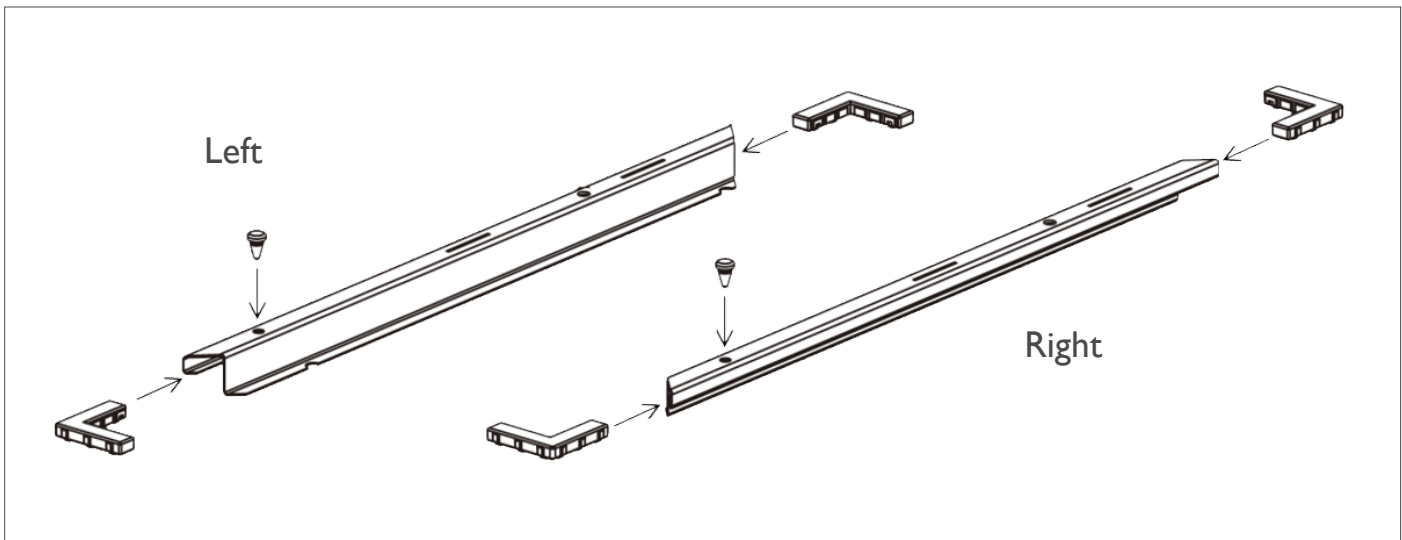
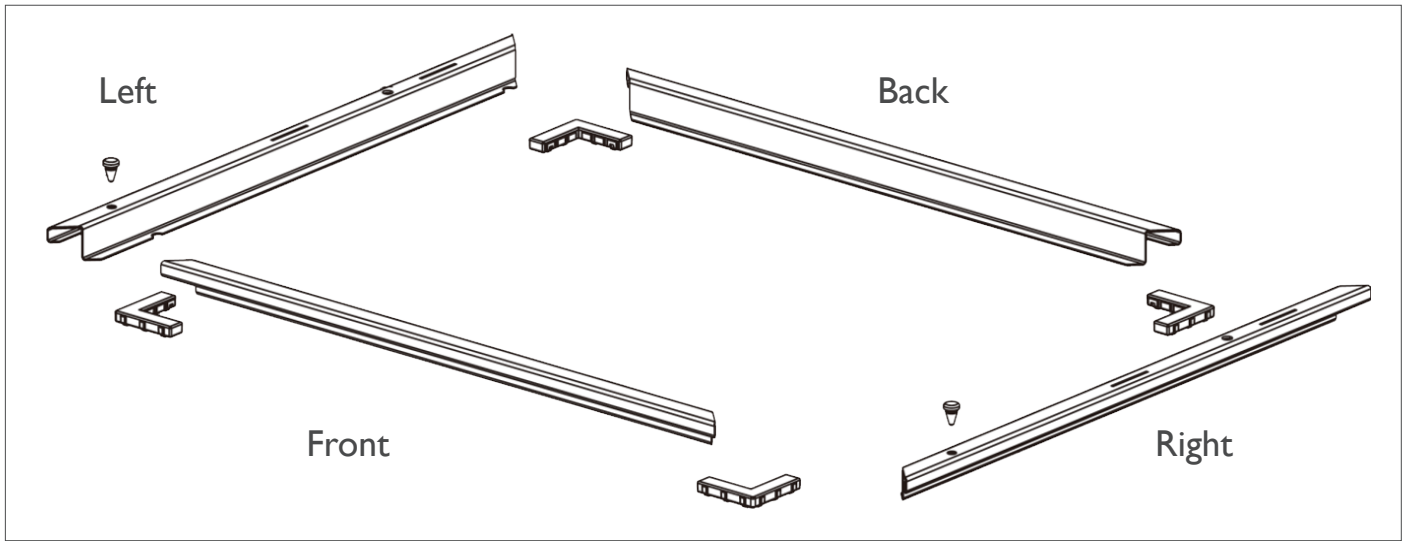
PARTS



Number	Part name	Supplier code
1	- Left side adaptor strip	- ONEQ-A-01-01-SS
2	- Rubber buffer	- K2224
3	- Corner bracket	- ONEQ-A-01-06
4	- Middle adaptor strip	- ONEQ-A-01-03-SS
5	- Right side adaptor strip	- ONEQ-A-01-02-SS

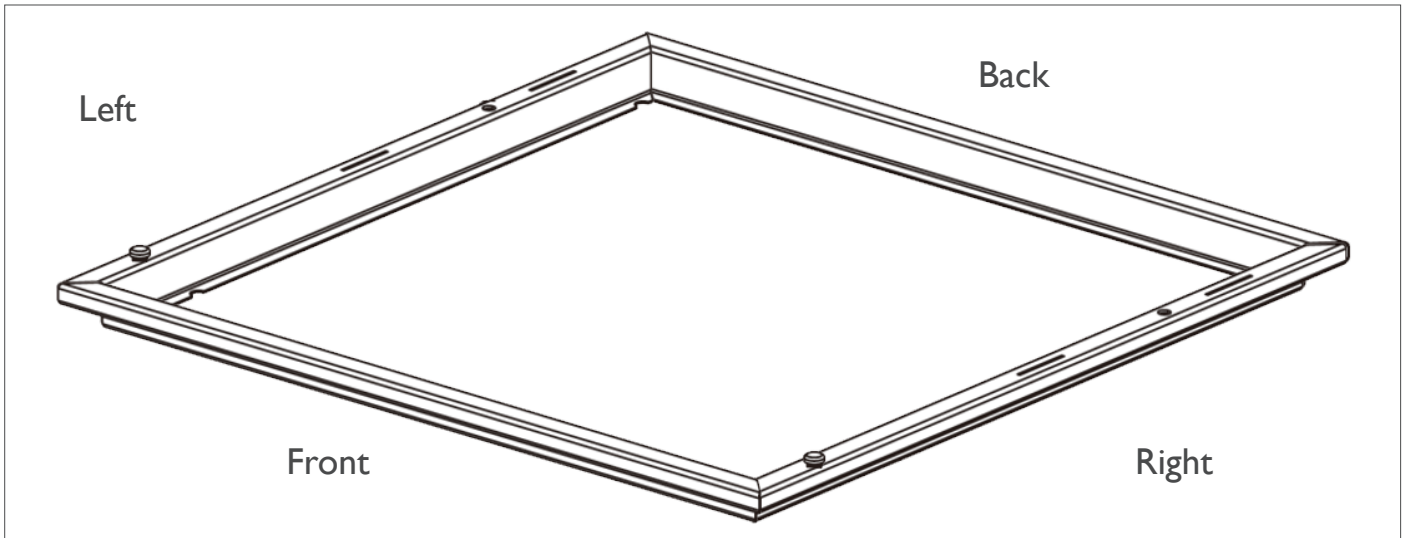
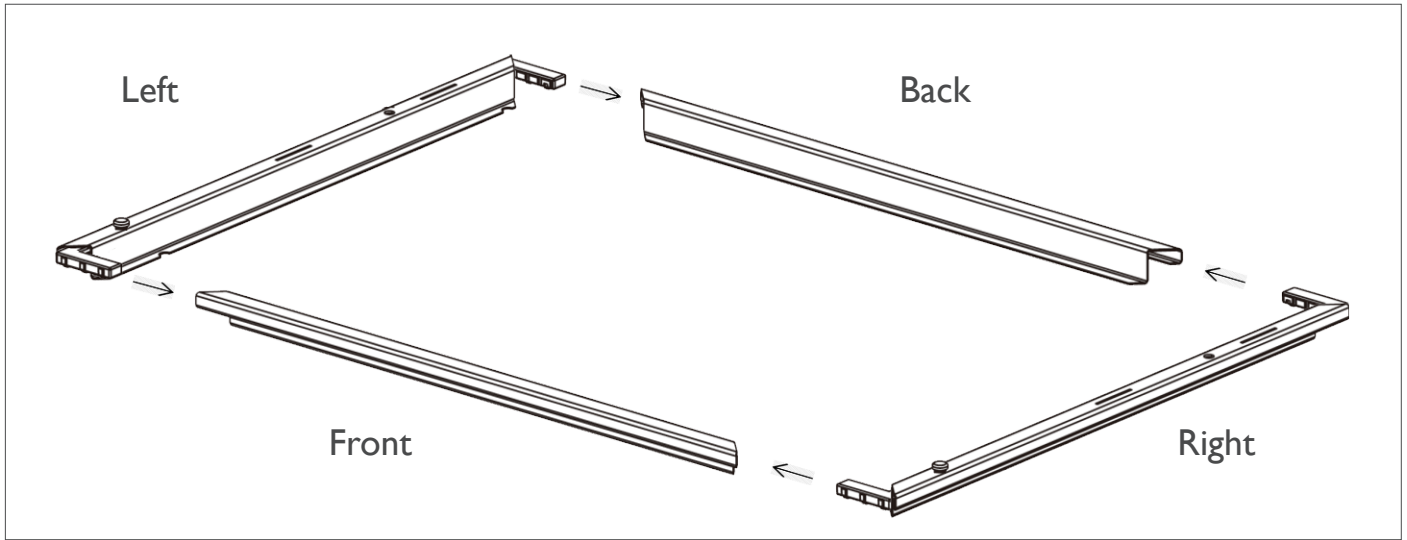
Assembly

INSTRUCTIONS



Assembly

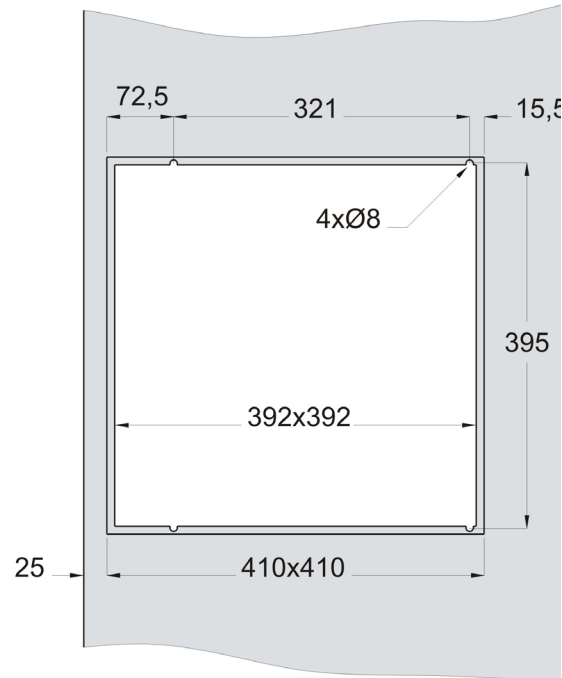
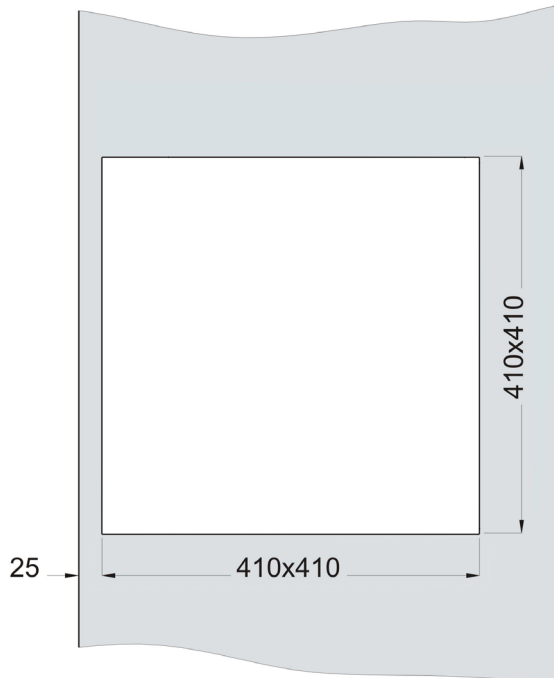
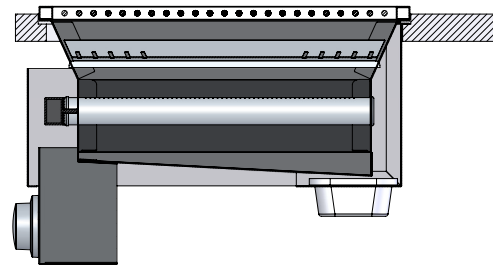
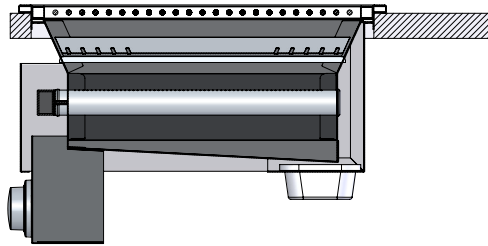
INSTRUCTIONS



Measurements

WITH ADAPTOR

WITHOUT ADAPTOR



MAX 55
when used with Built-in Socket

MAX 60
when used with Built-in Socket

Built-in OPTIONS



oneQ Roasting Hood

Grill hood with hinge, glass window and thermometer.



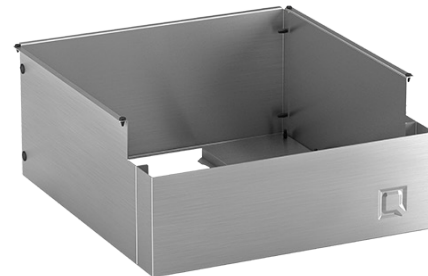
oneQ Flame

Or any other oneQ module!



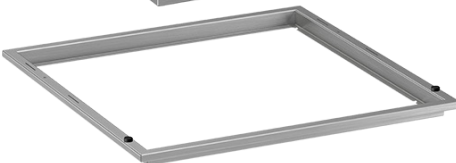
Built-in Socket

Mandatory for oneQ Flame and oneQ Glow.
Recommended for oneQ Wok burner.
Not necessary for any other oneQ modules.



Built-in Hood Adaptor

Fits in any 41x41 cm square opening.
Built-in Hood Adaptor always required when using a
Roasting Hood.



Built-in

REMARKS AND WARNINGS

- The direct installation of oneQ products into a countertop or table requires a square opening with a recessed groove.
- Please adhere to the measurements in this manual.
- The oneQ socket is mandatory for building in a Flame or Glow and recommended for the oneQ Wok Burner.
- Only build in the oneQ Flame, Glow or Wok Burner into a non-combustible surface. oneQ is not liable for any damage or coloring of the surface the oneQ is build into.
- Ensure there is enough ventilation and air flow underneath and around the surface.
- The use of a Built-in Adaptor provides extra protection and excludes the need for a recessed groove in the opening in the kitchen surface or table.
- The Built-in Hood Adaptor is required when using a Roasting Hood and also excludes the need for a recessed groove in the opening in the kitchen surface or table.
- If you have any questions regarding safety or the procedures described in this manual, please contact us at info@one-q.com or visit one-q.com.



oneQ PRODUCTS



FLAME GAS BARBECUE
201501701



GLOW CHARCOAL BARBECUE
900901710



WOK BURNER
202201702

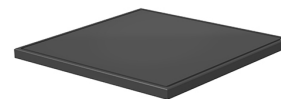


TABLE (POLYETHYLENE)
800901740



BAMBOO CUTTING BOARD
700901750



ICE BLACK
200901720



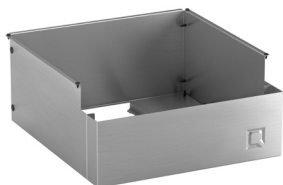
ICE INOX
100901720



WET BLACK
200901730



WET INOX
100901730



BUILT-IN SOCKET
900901750



BUILT-IN ADAPTOR
900901751



BUILT-IN HOOD ADAPTOR
900901752

For all oneQ products, prices and additional information, please contact us at info@one-q.com.

oneQ B.V.
Wateringweg 83-C
2031 EK Haarlem
The Netherlands
one-q.com

ONEQ SMART OUTDOOR COOKING

© oneQ BV 2022 | oneQ B.V. has the right to change prices and/or products at any time.

Although this manual is made with care, we accept no liability for mistakes or misprints whatsoever.

oneQ can not be held responsible or liable for accidents, injuries or damage caused by incorrect installation or use of oneQ products.