

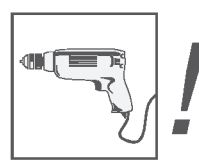
4-13



4-13 4-12+14



4-13

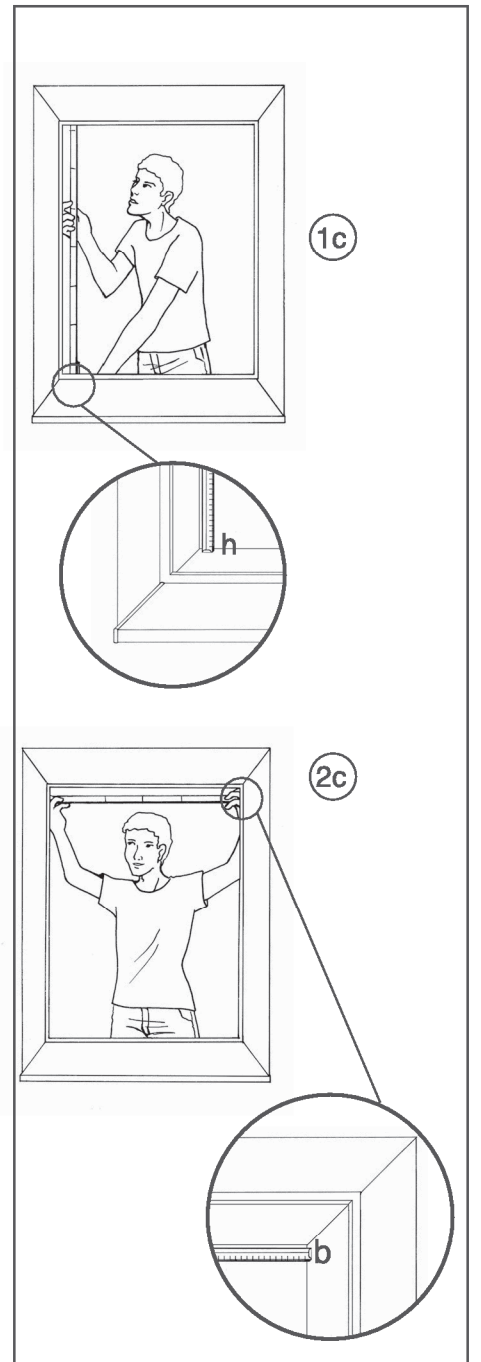
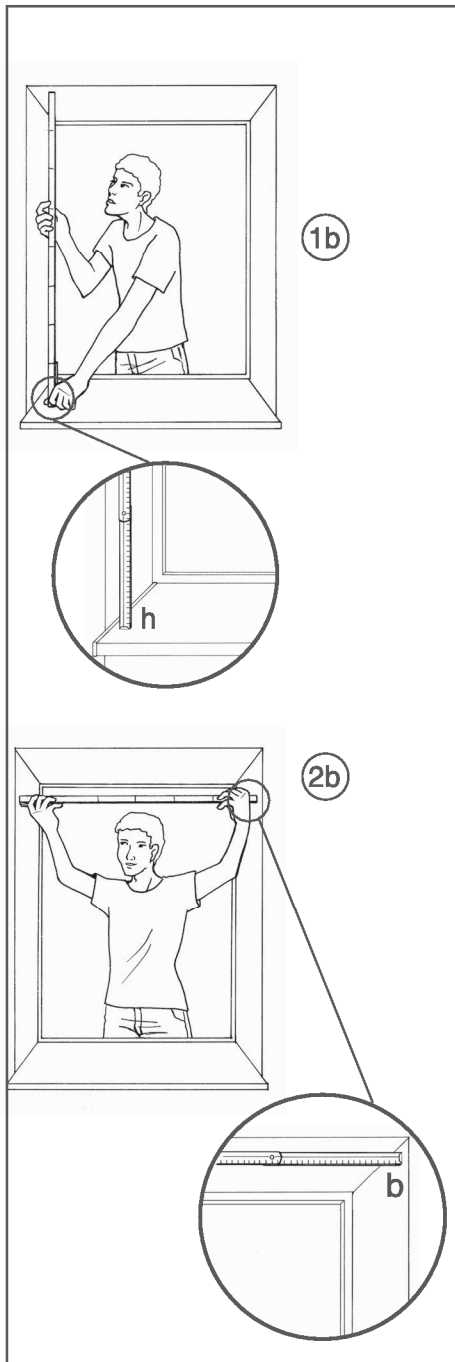
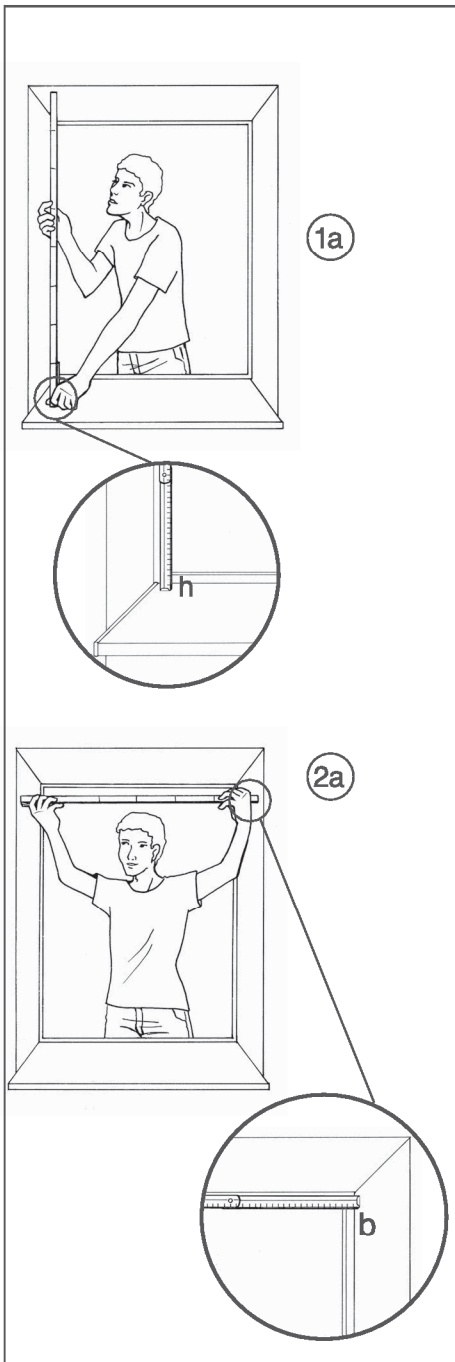
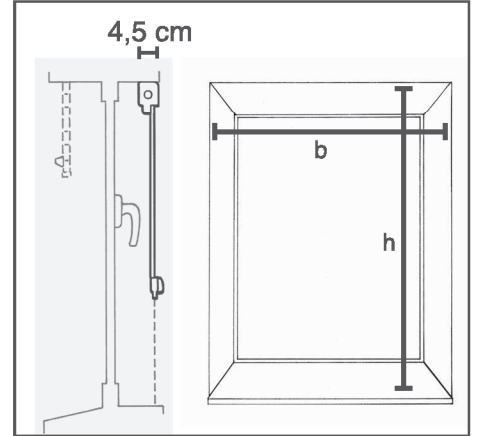
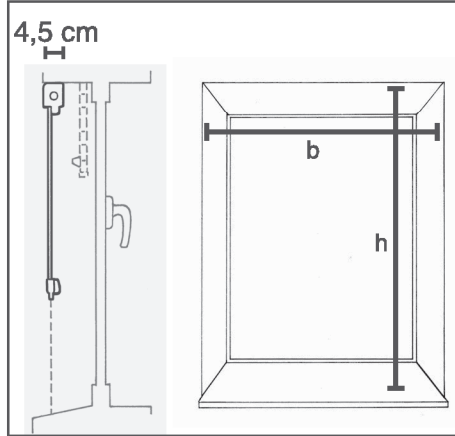
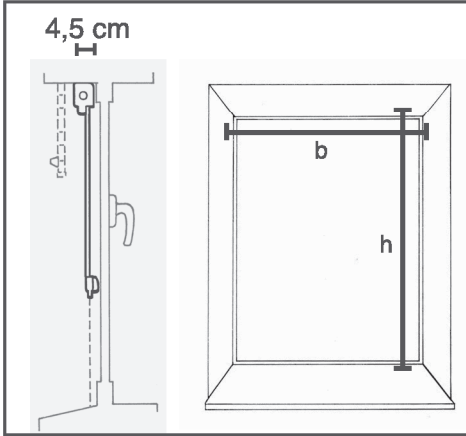


4-12+14

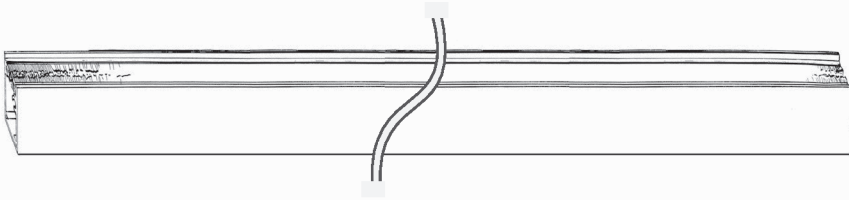
A

B

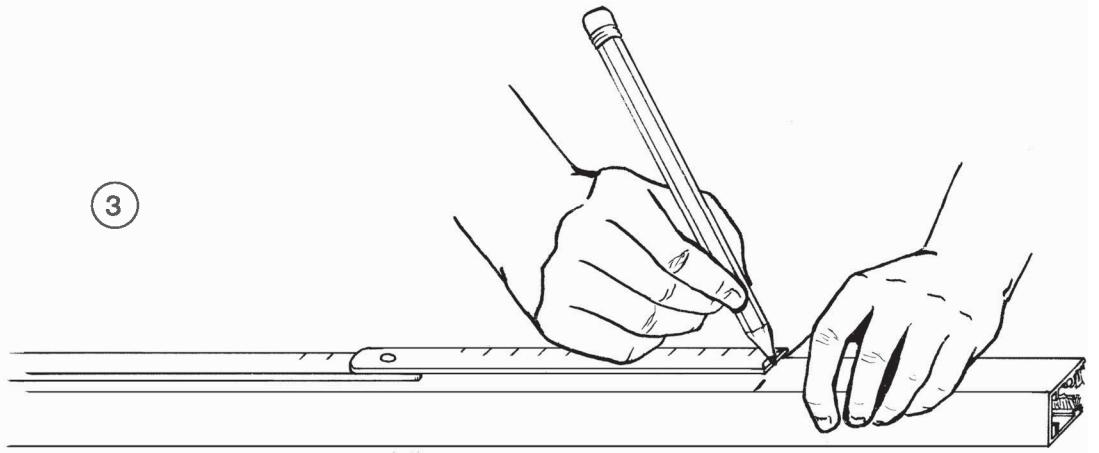
C



2x

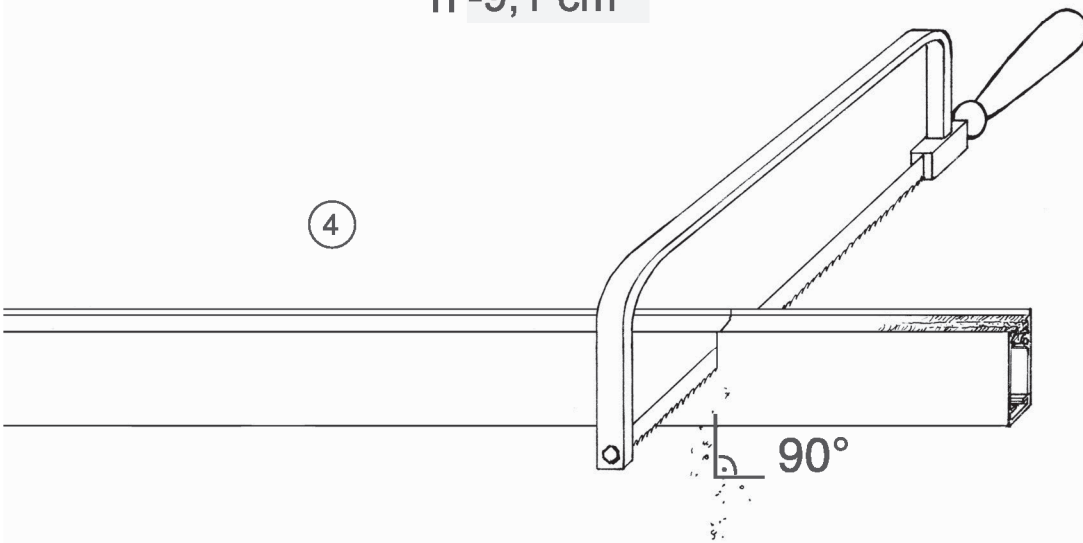


3

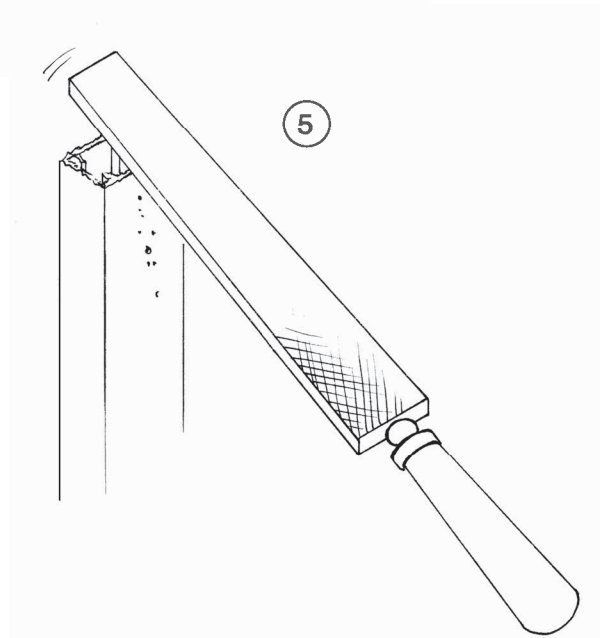
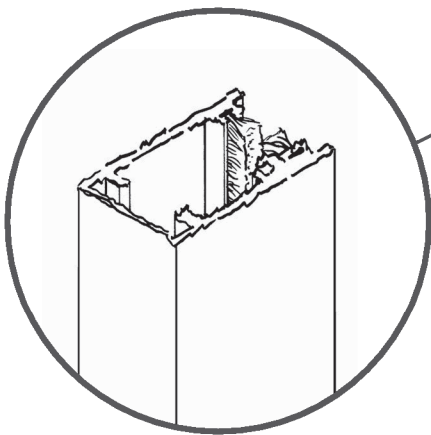


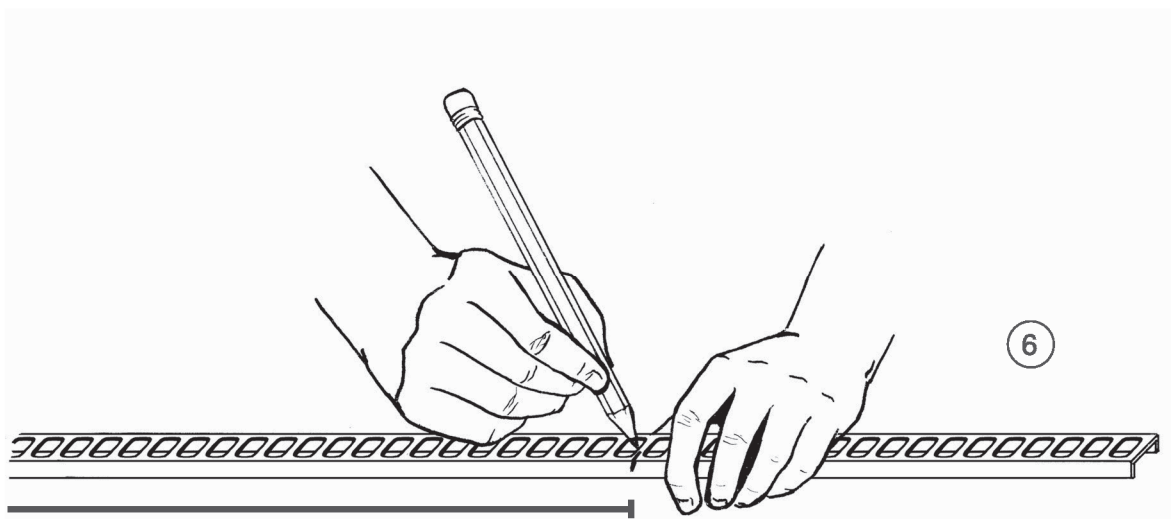
h - 9,1 cm

4

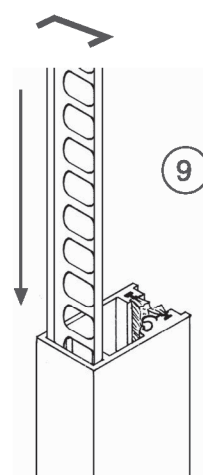
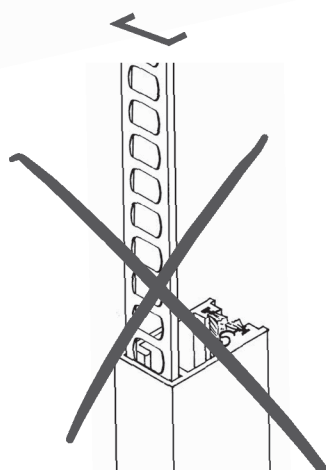
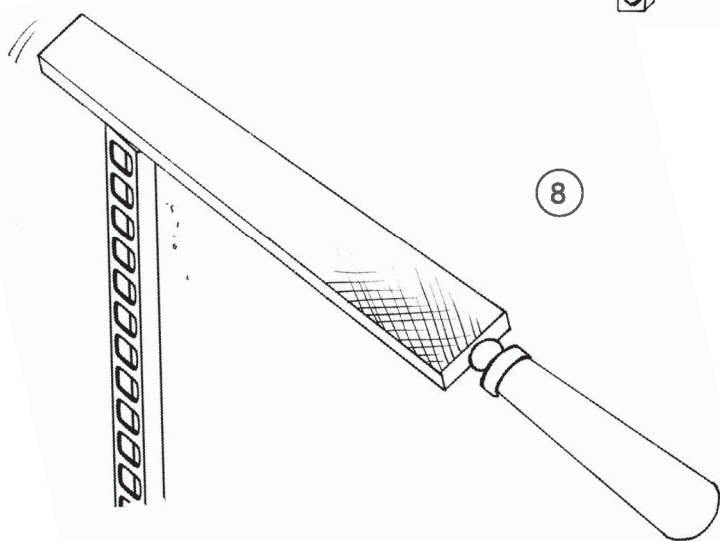
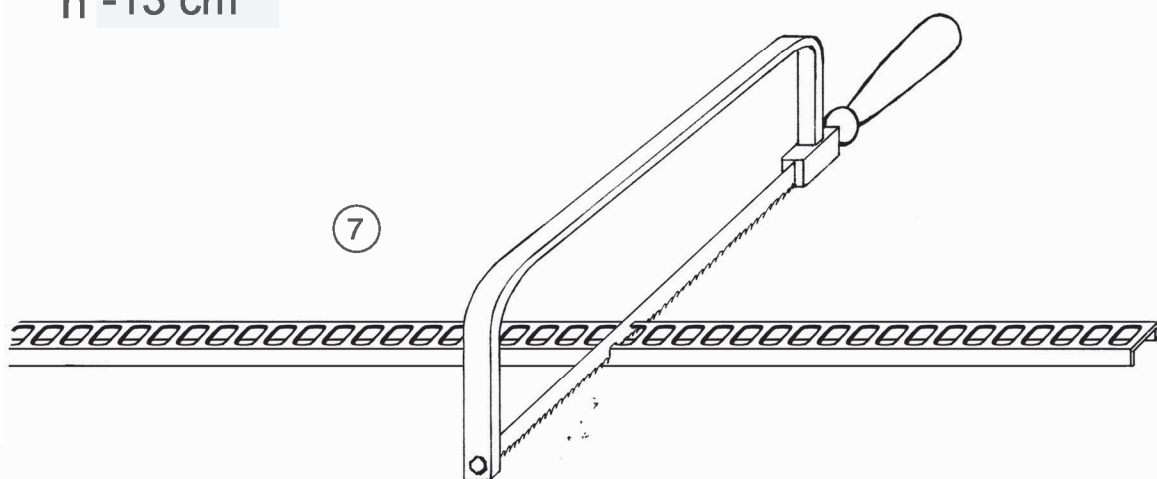


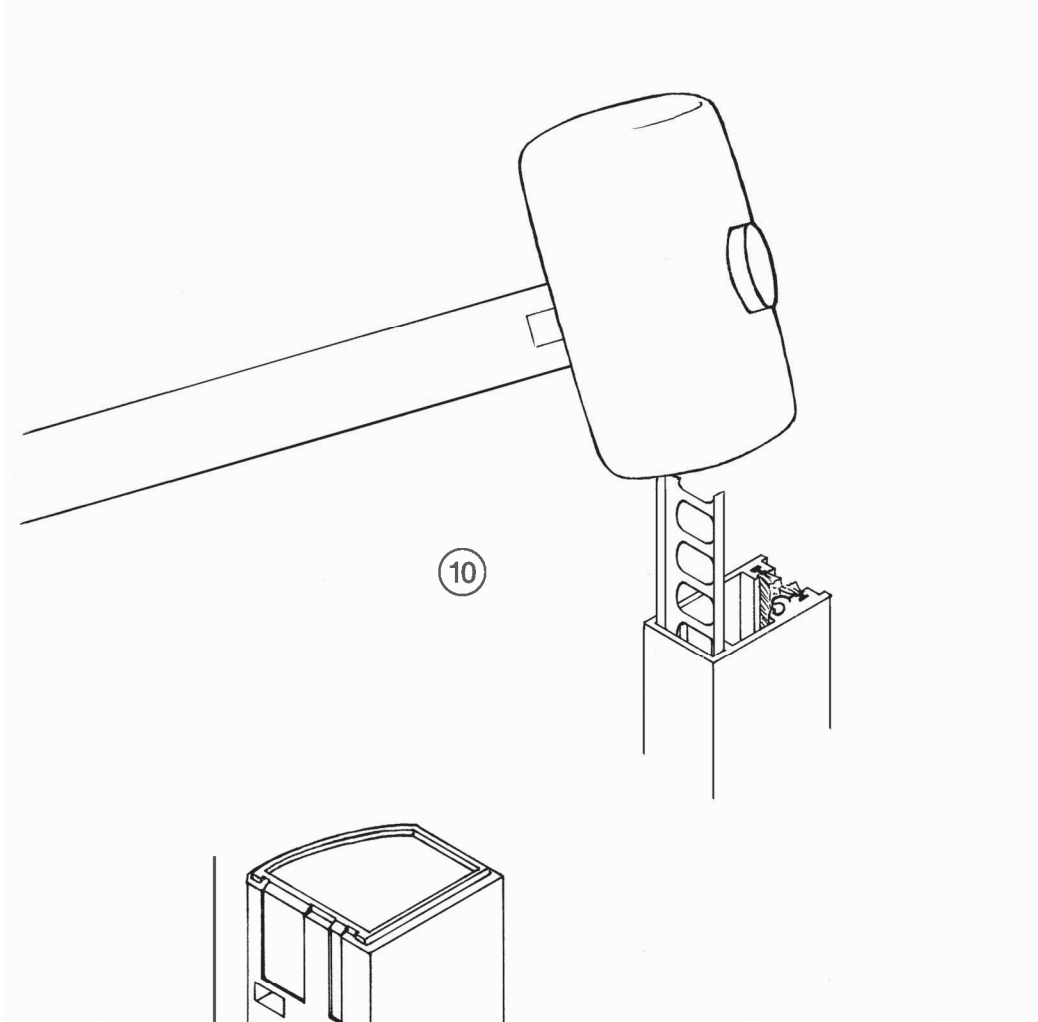
5



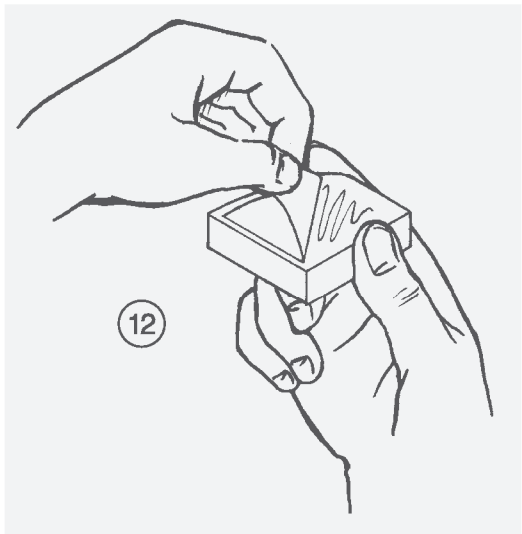
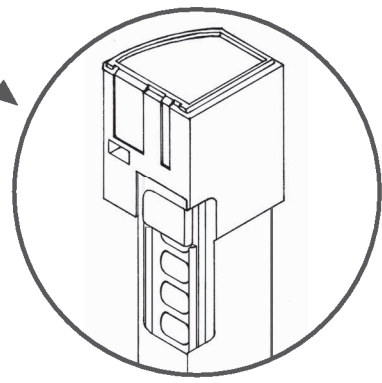
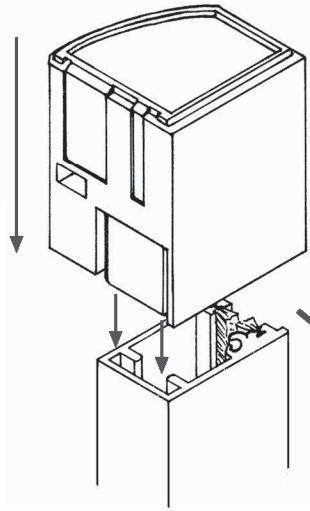


h - 13 cm

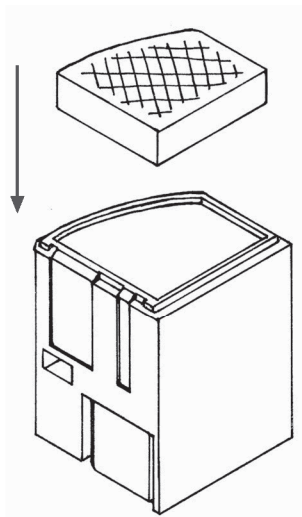




11

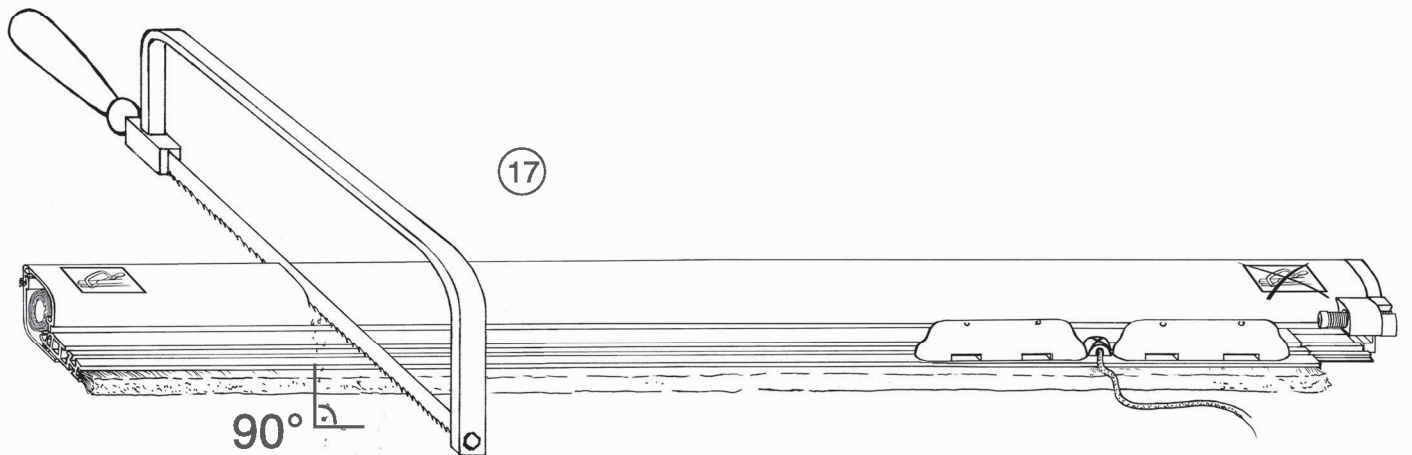
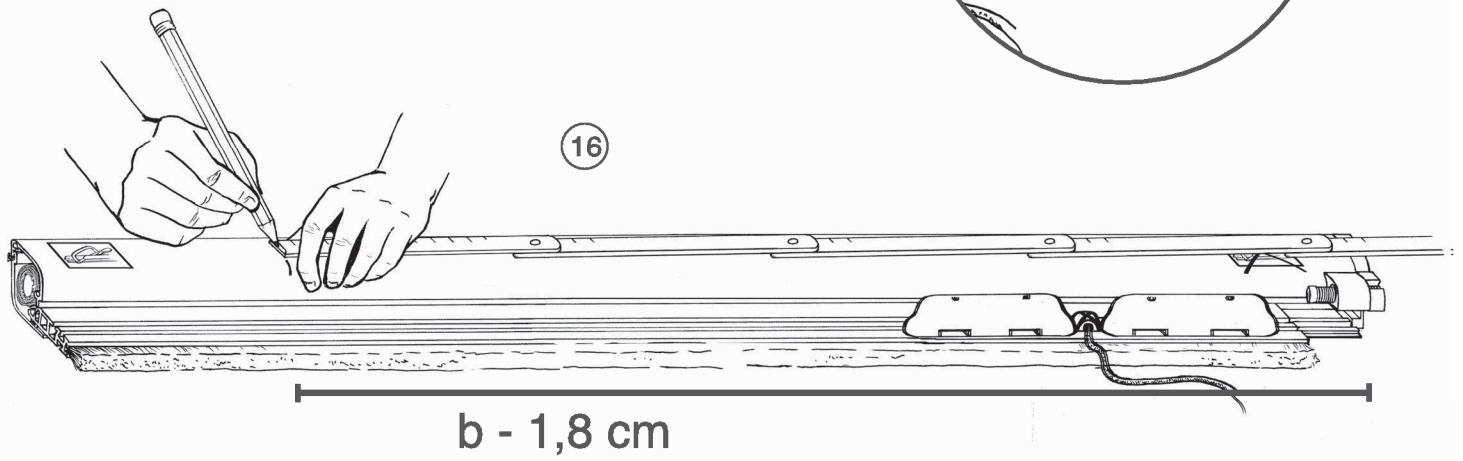
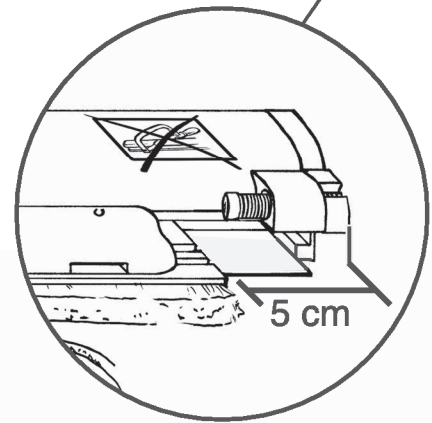
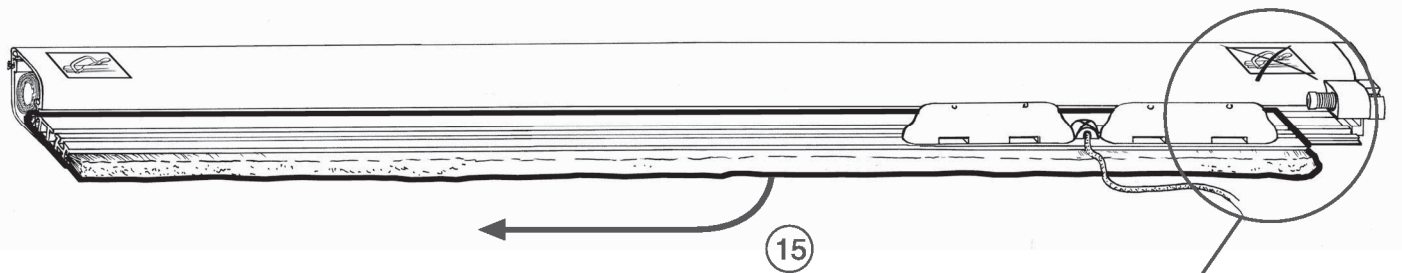
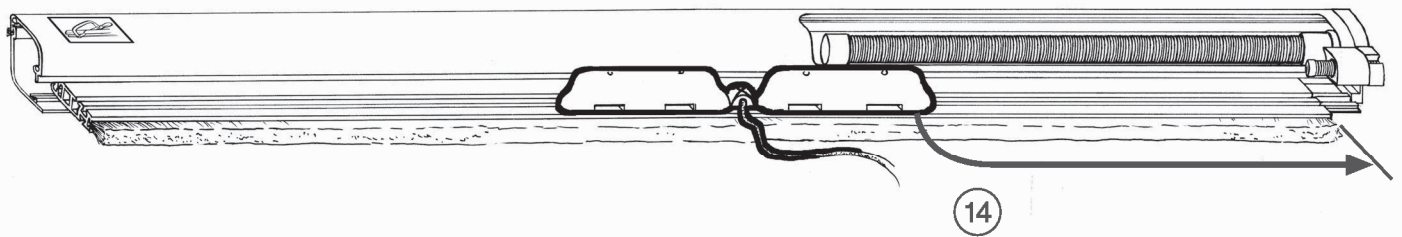


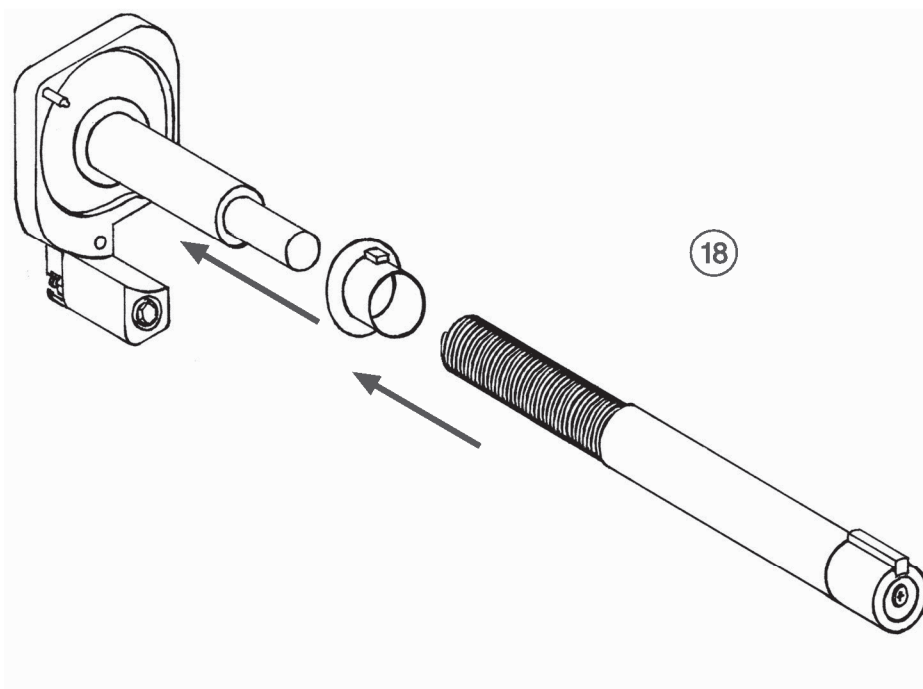
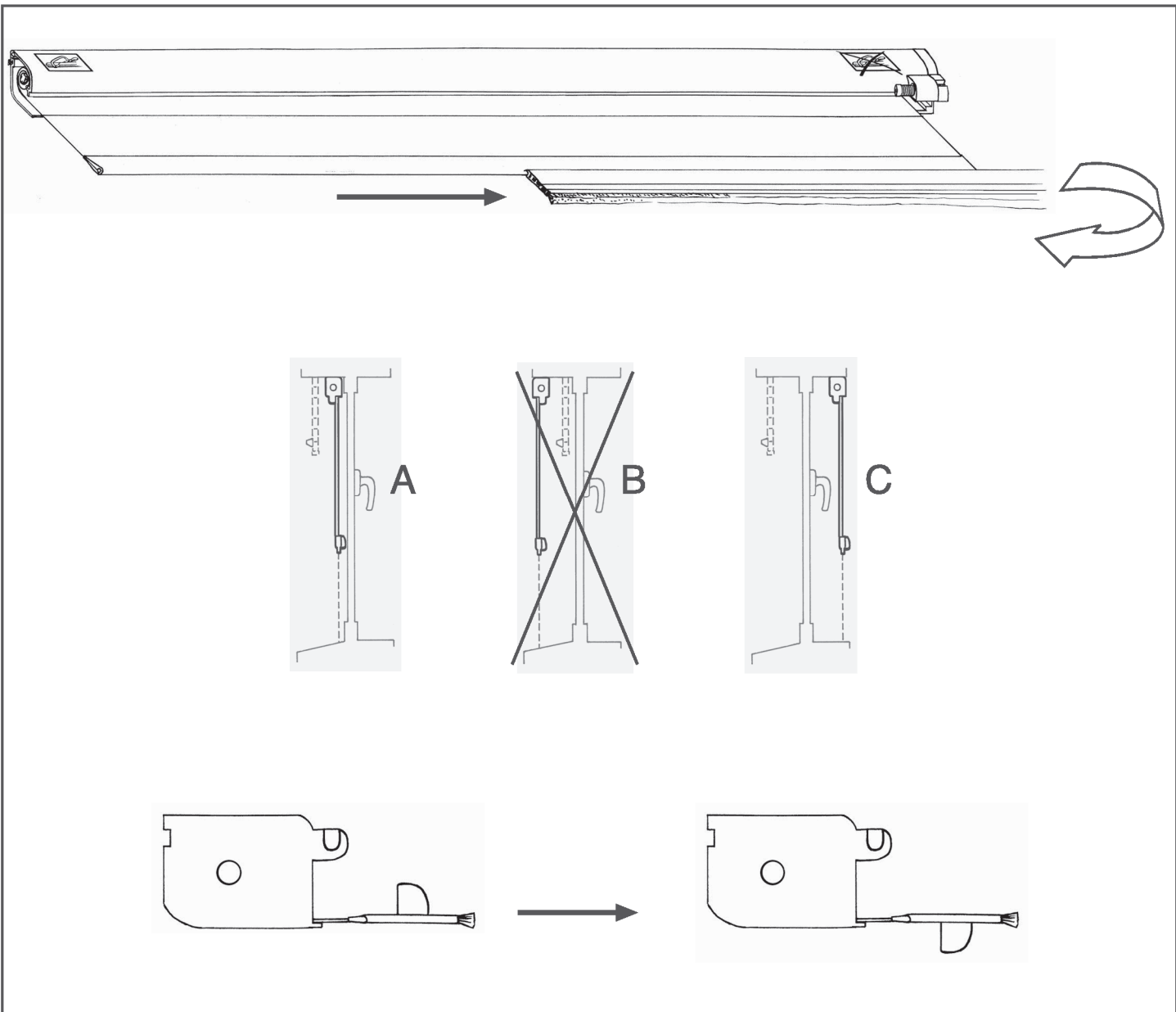
12

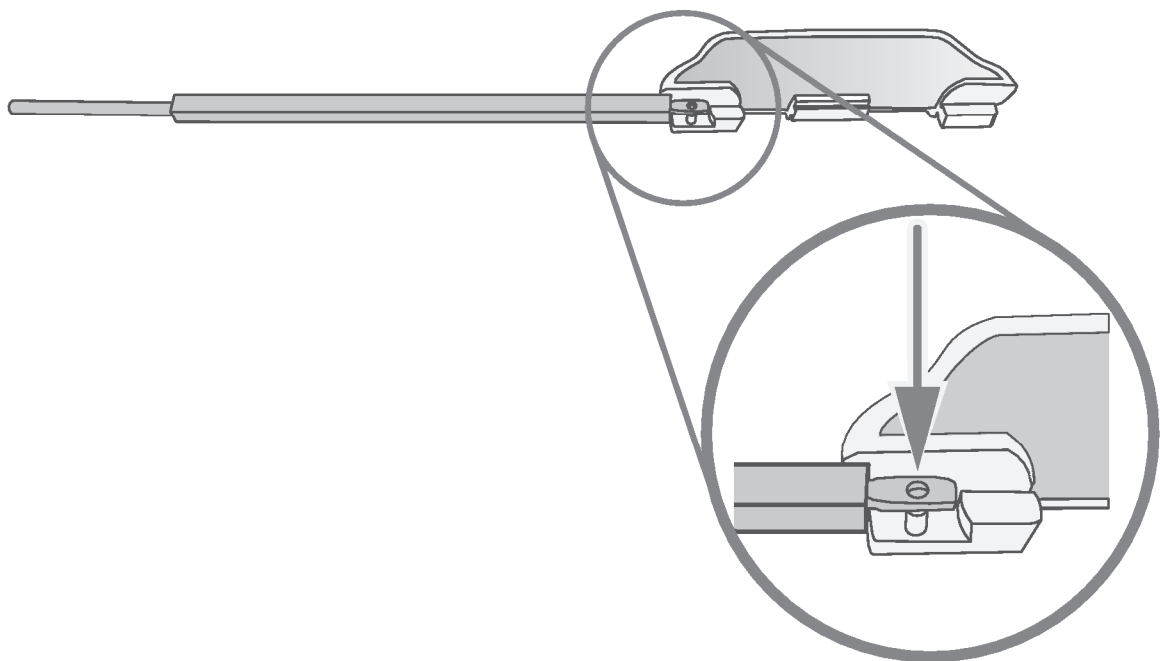
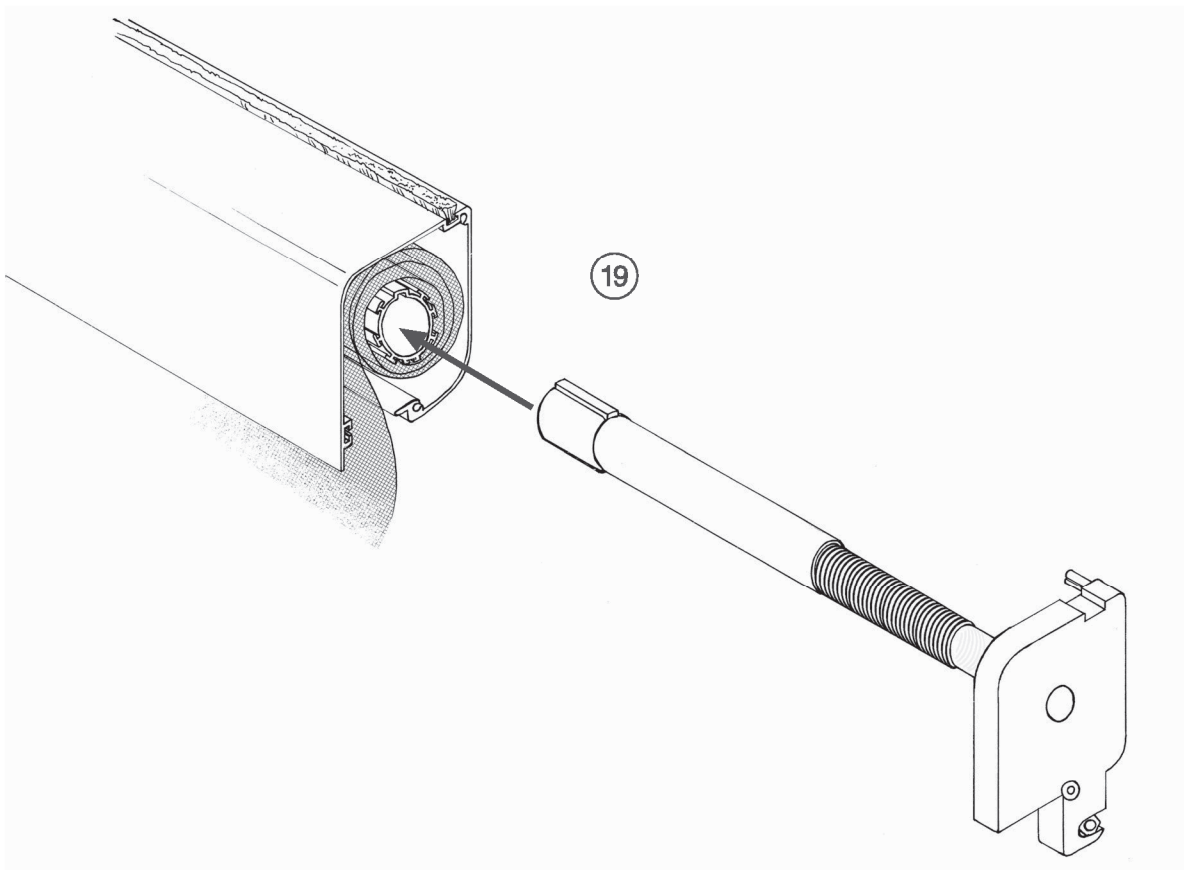


13

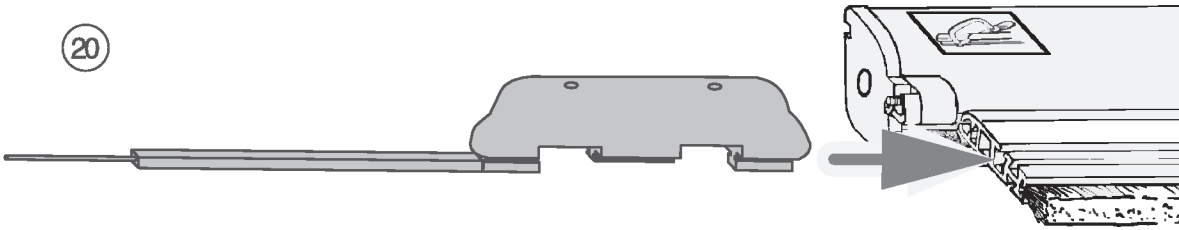
min 62 cm



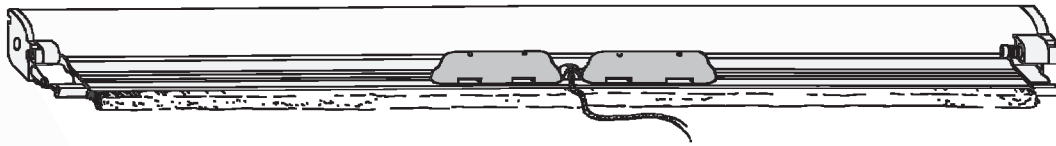
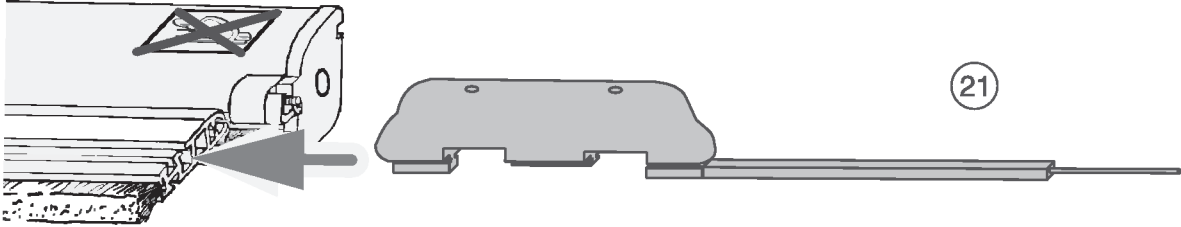




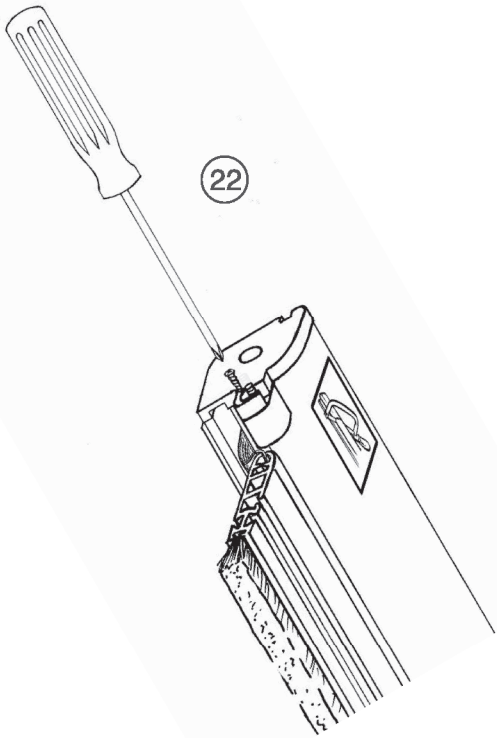
20



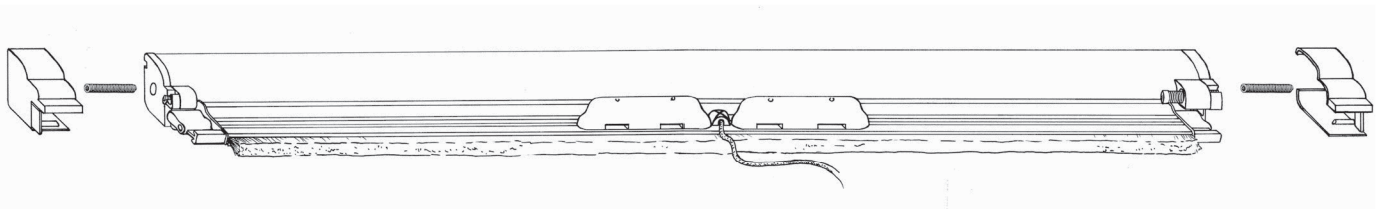
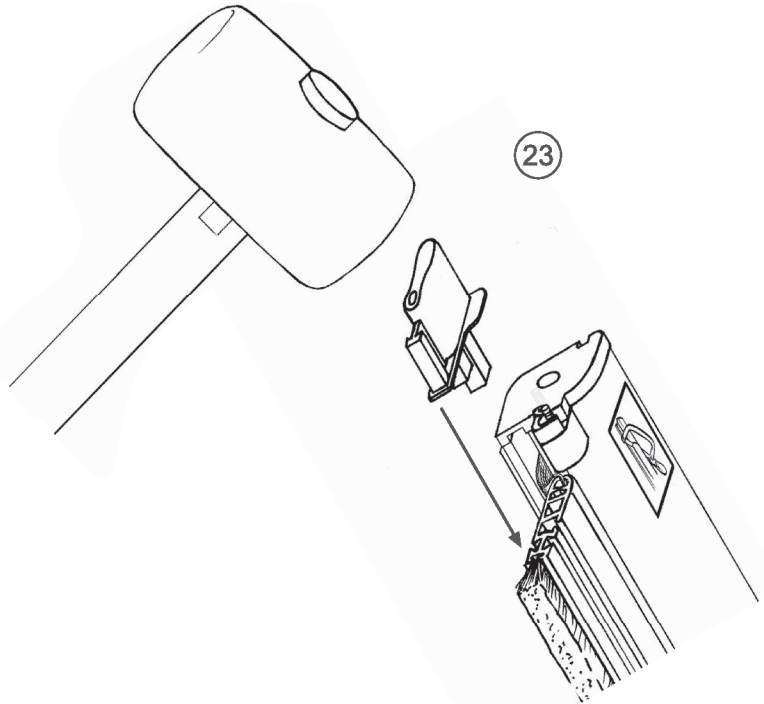
21



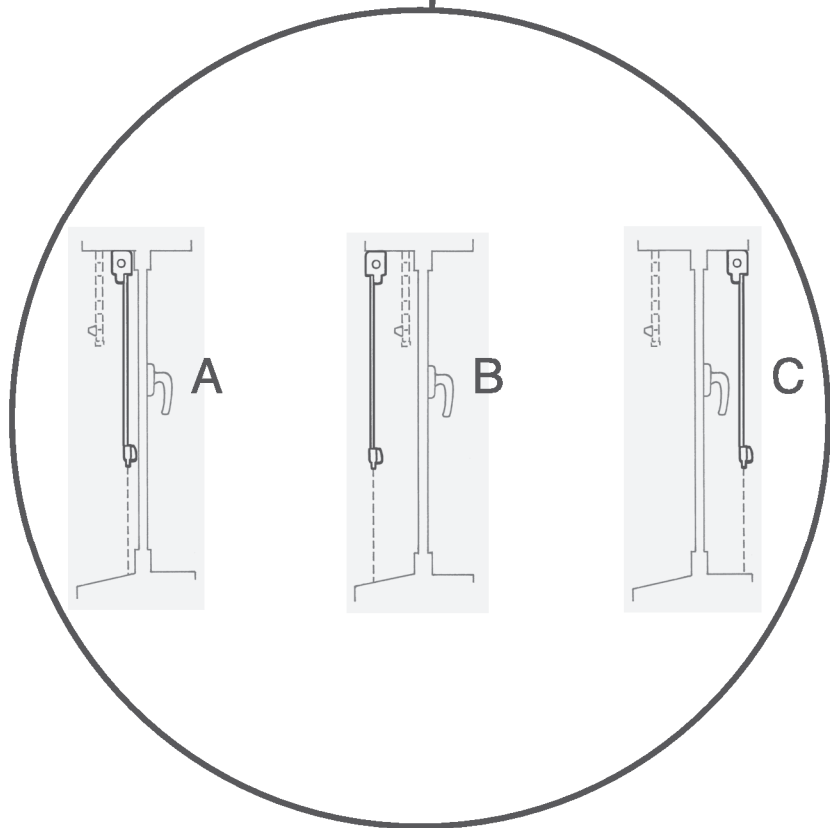
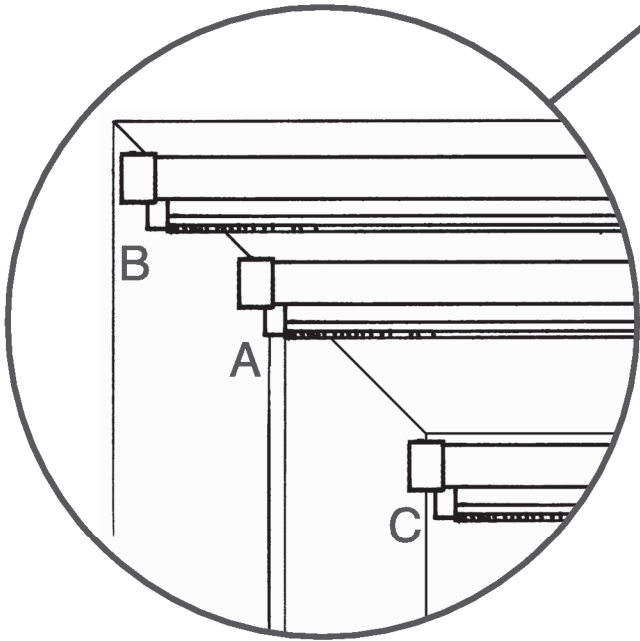
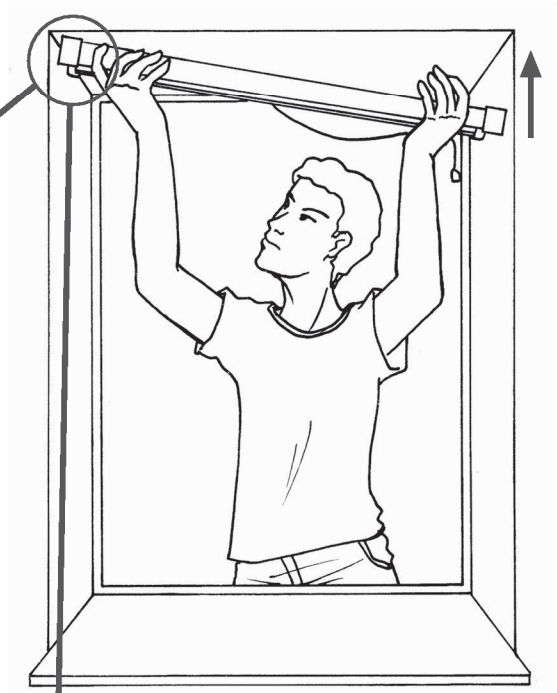
22



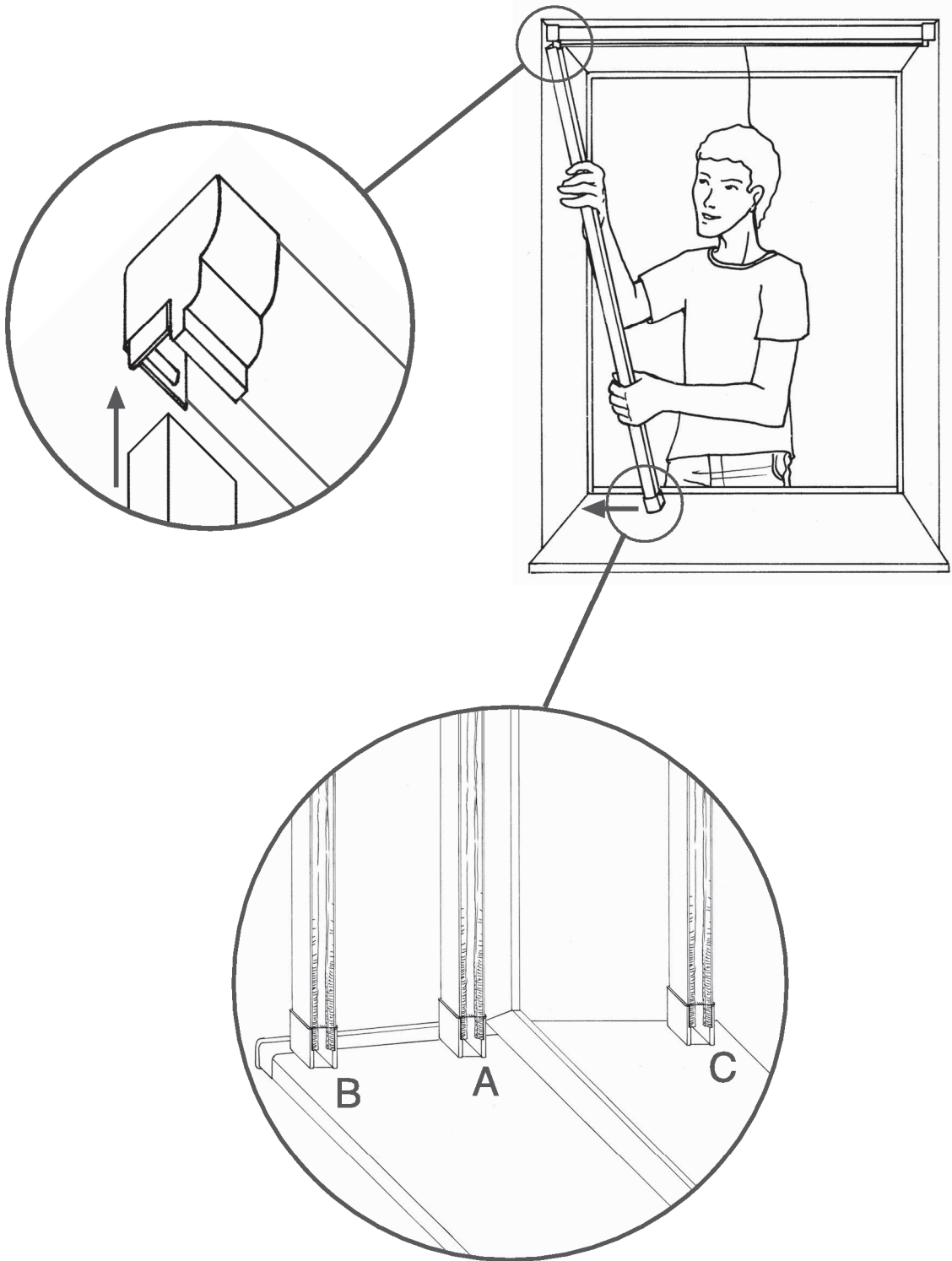
23

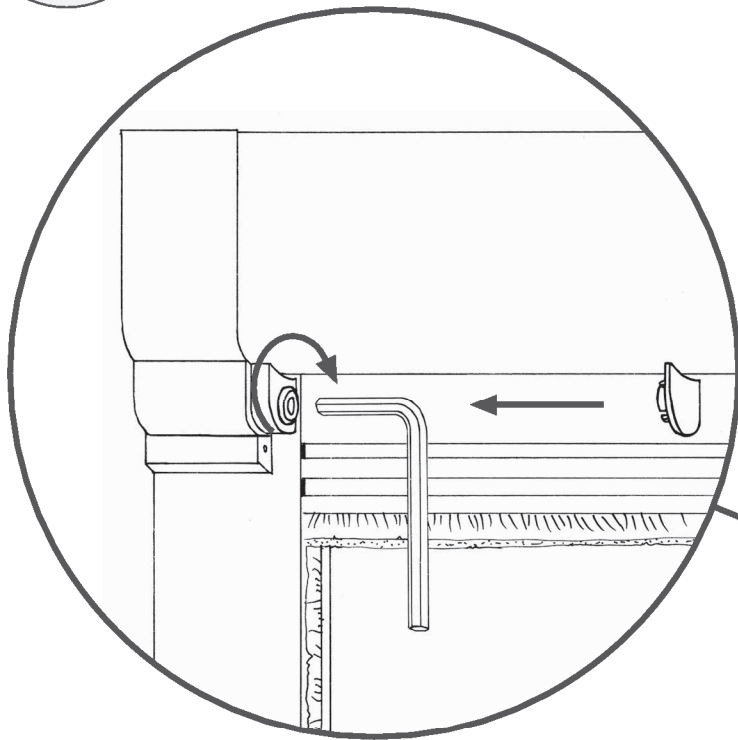


24



25





26

