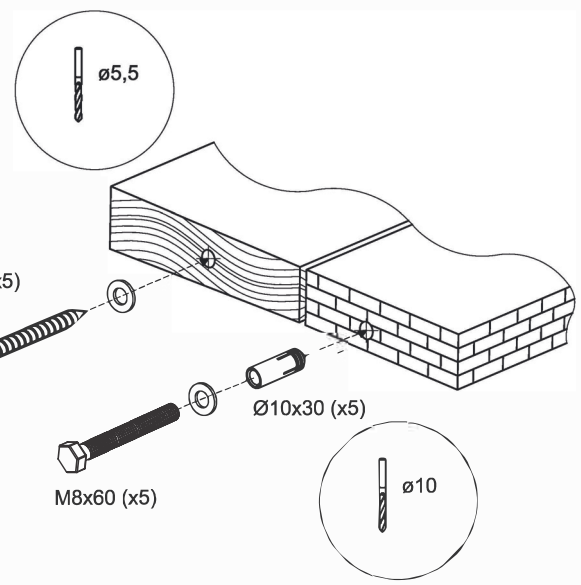
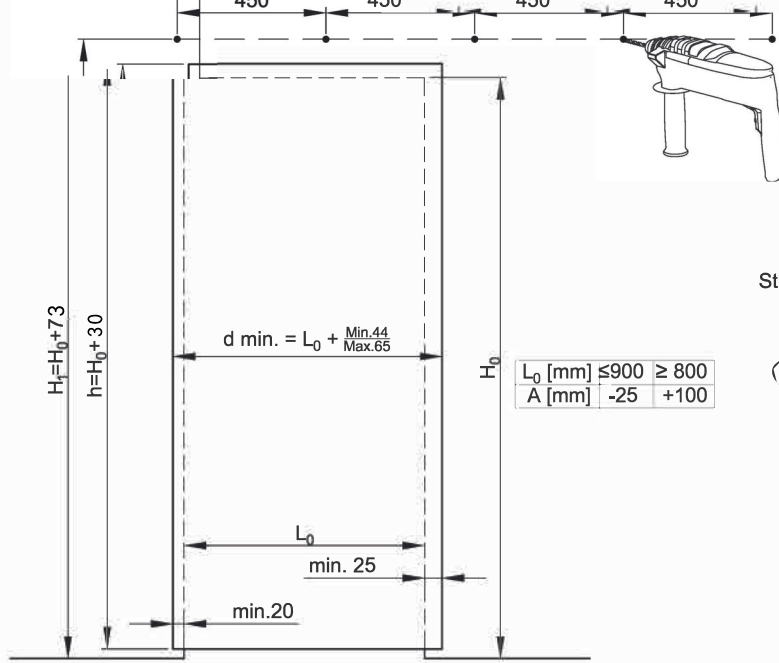
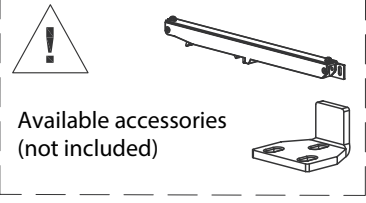
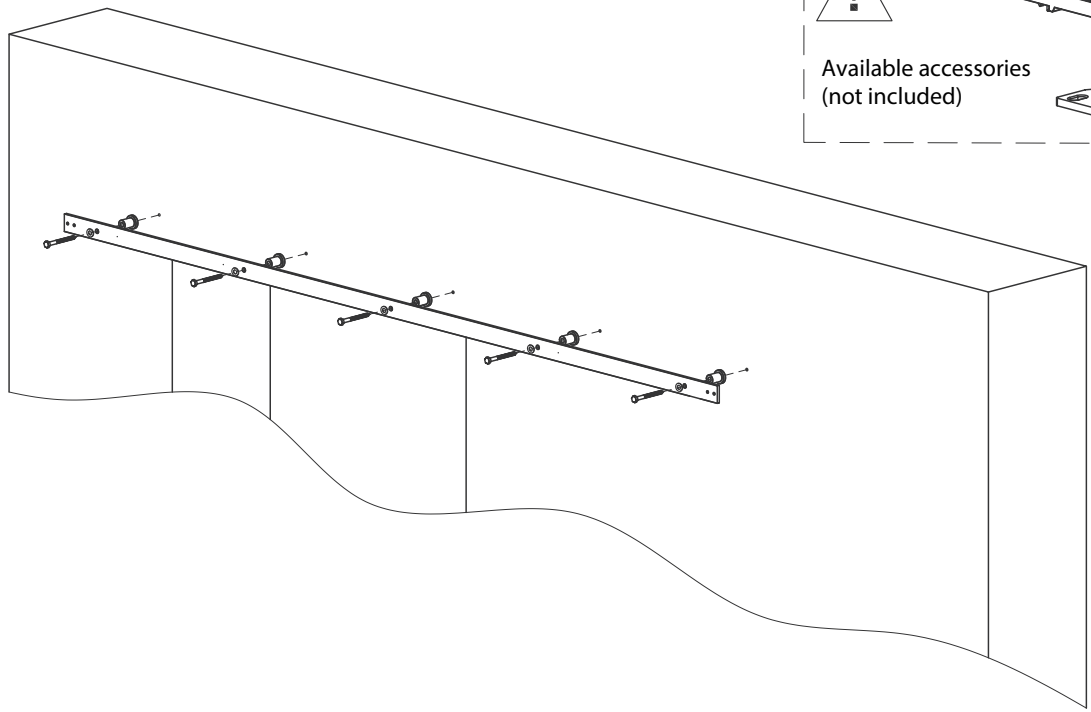


1



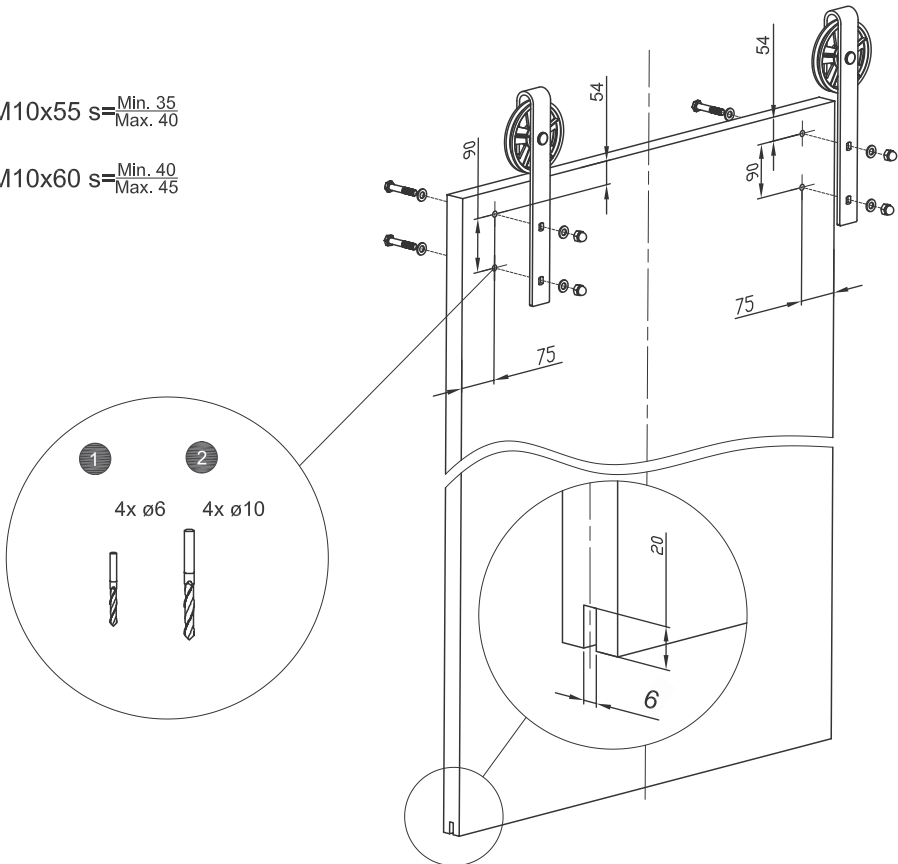
2



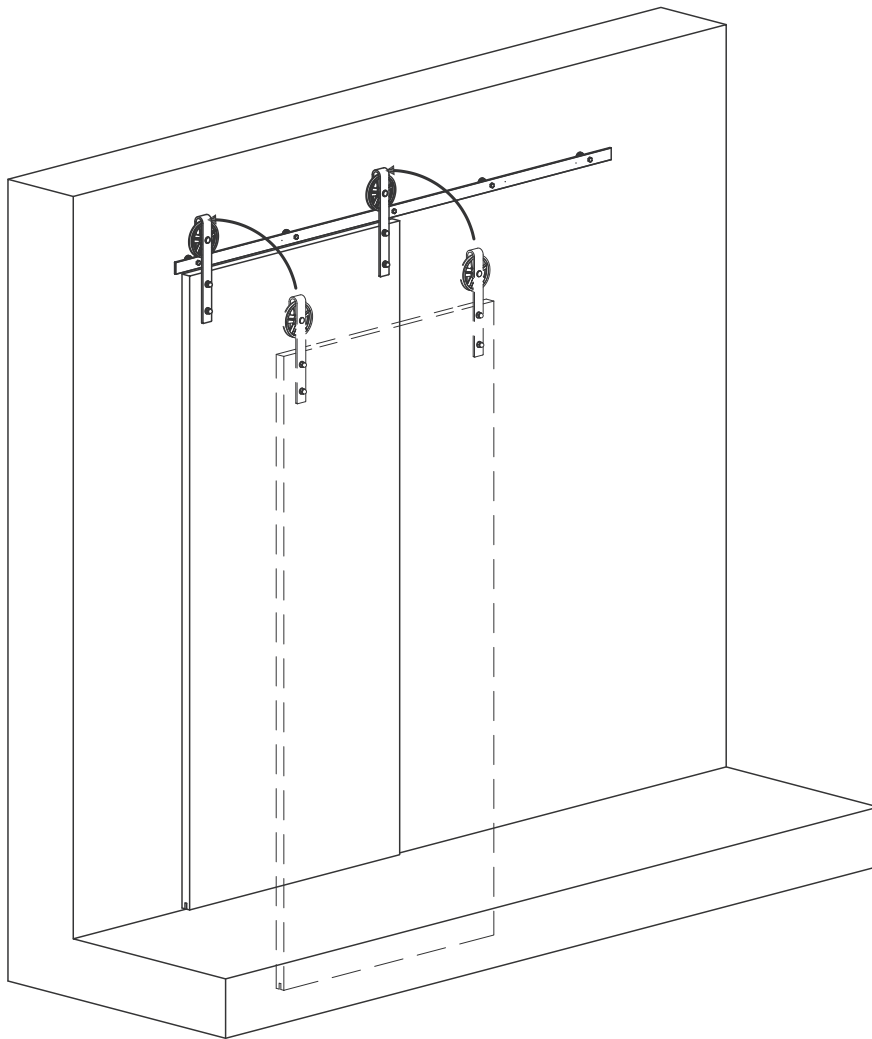
3

M10x55 s= $\frac{\text{Min. } 35}{\text{Max. } 40}$

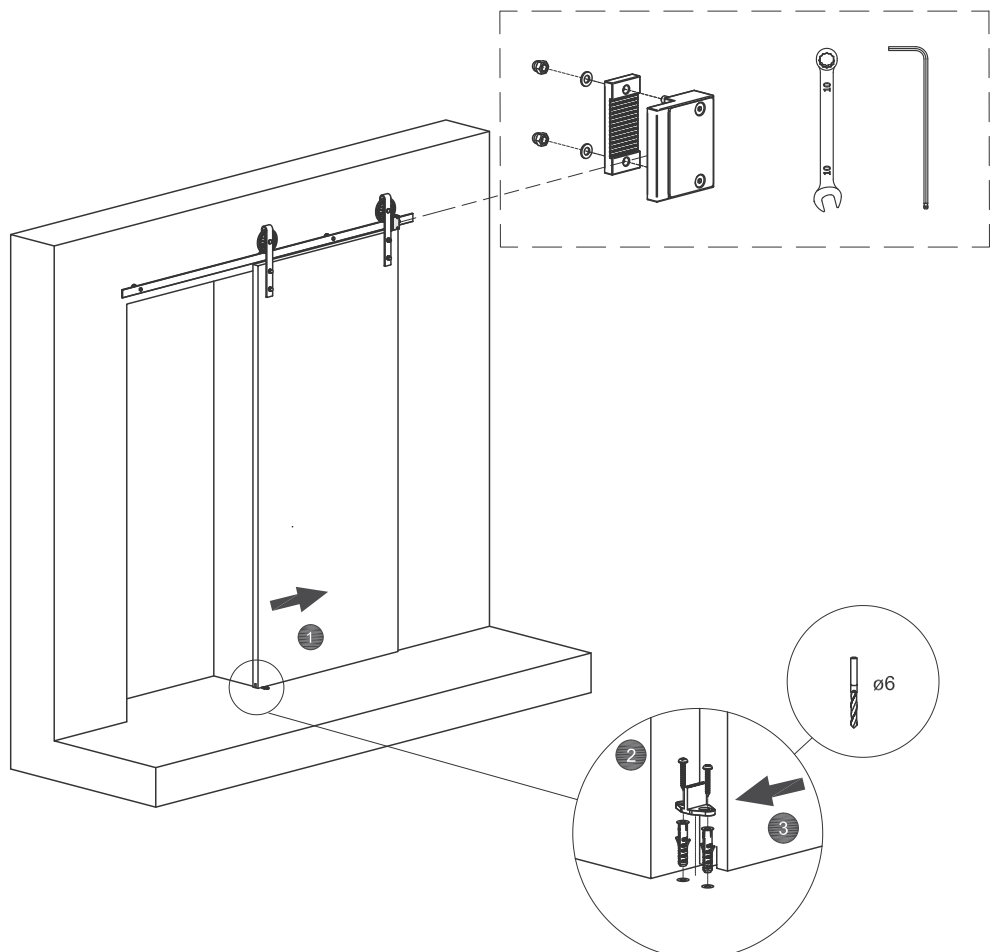
M10x60 s= $\frac{\text{Min. } 40}{\text{Max. } 45}$



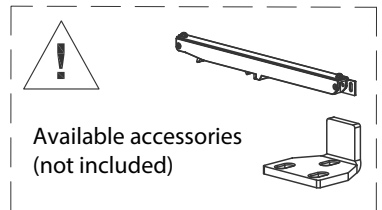
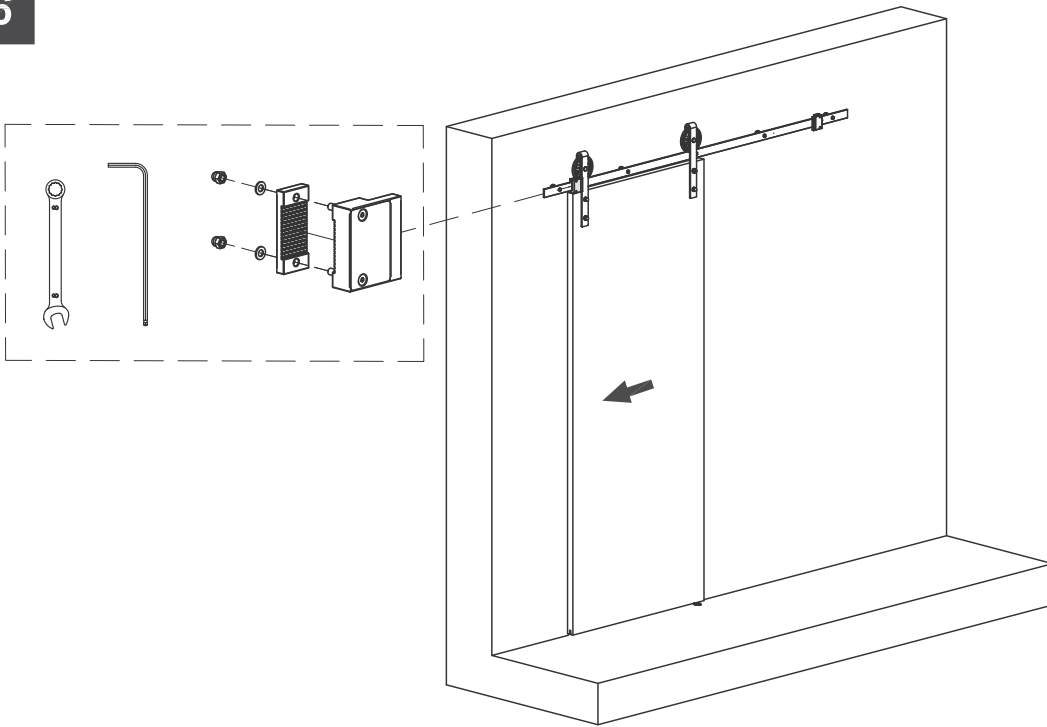
4



5



6



7

