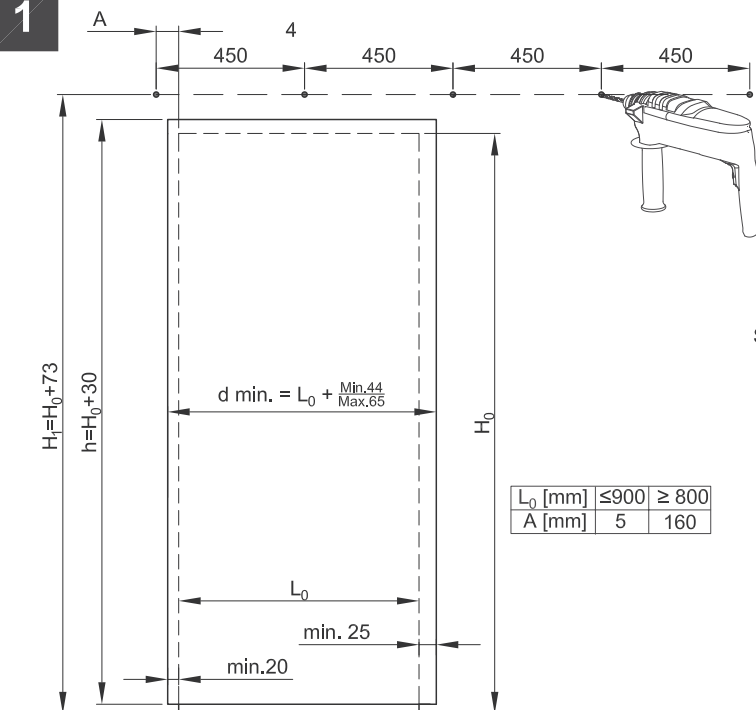
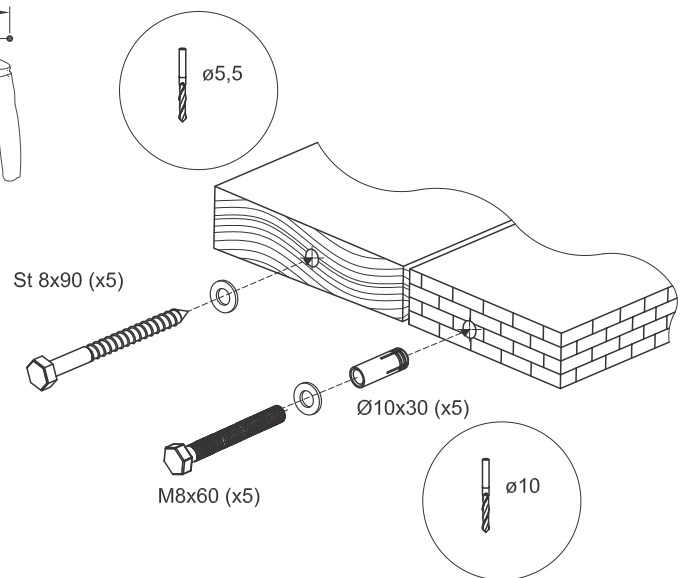


1

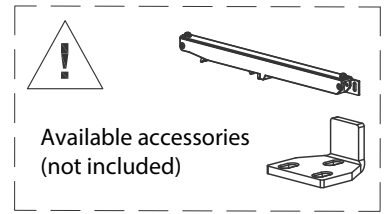
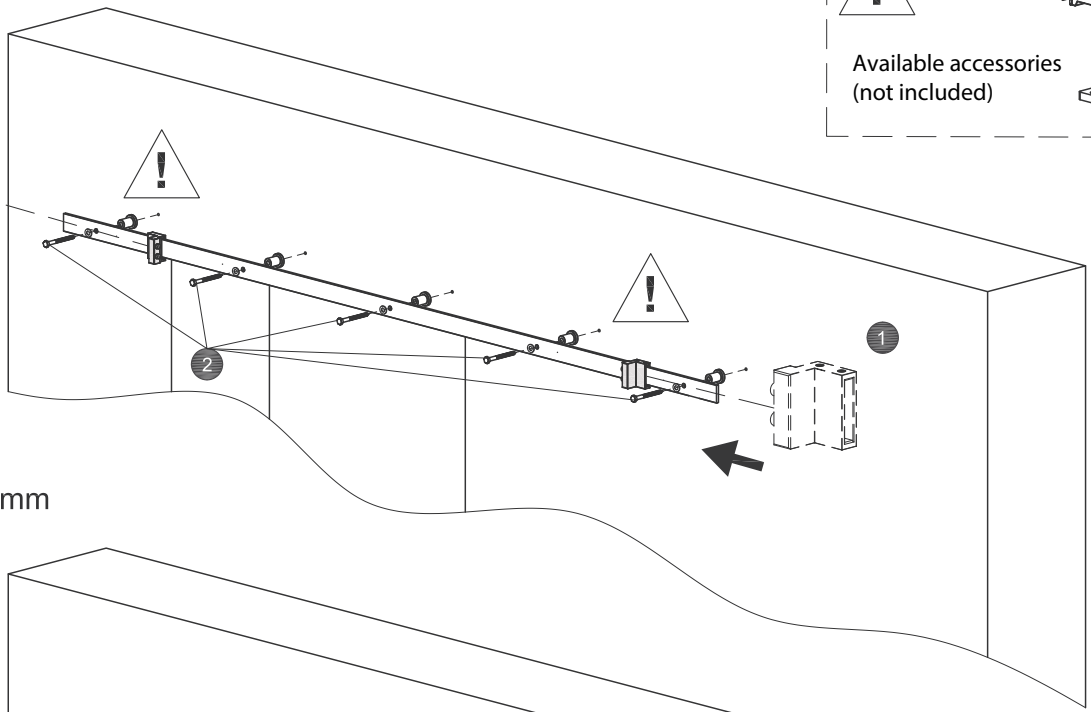
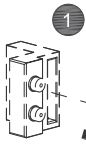


L ₀ [mm]	≤ 900	≥ 800
A [mm]	5	160

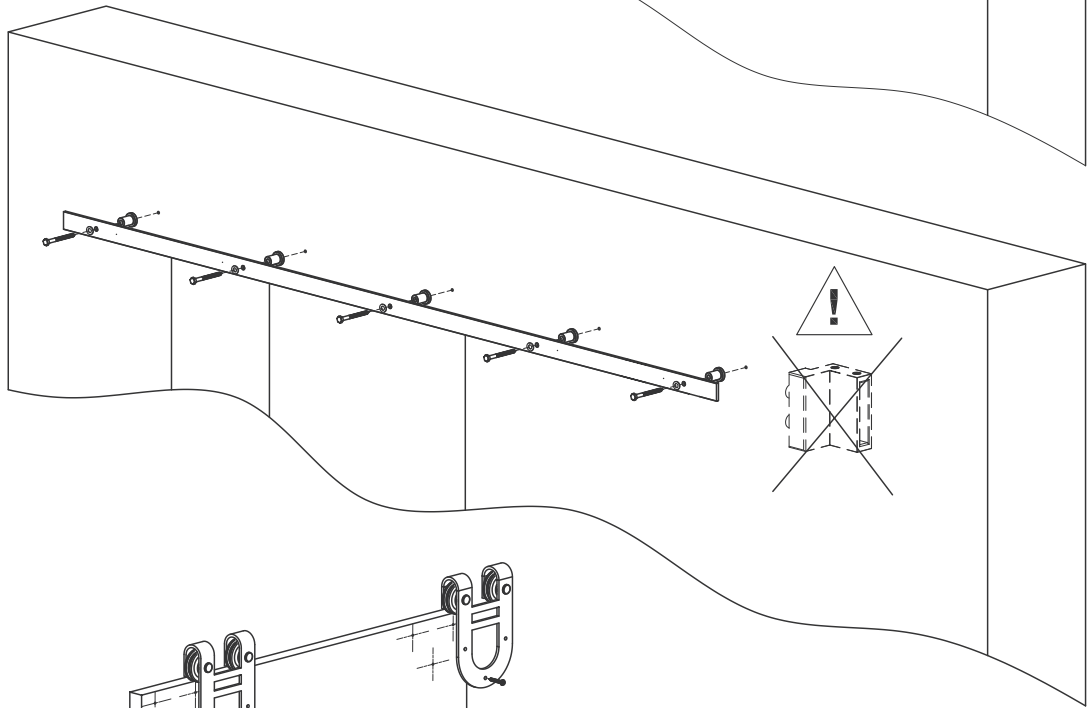
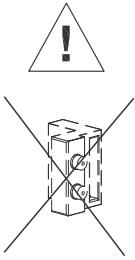


1. $L_0 \geq 800$ mm

2



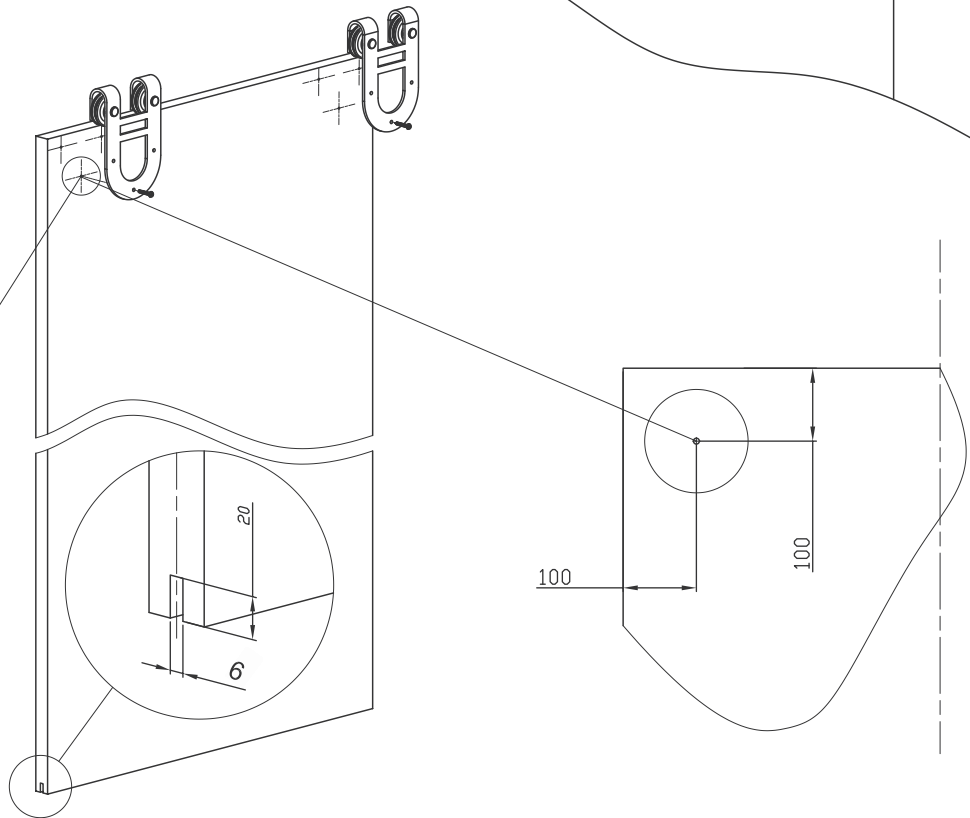
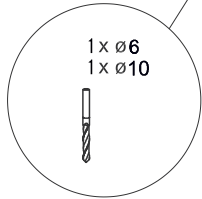
2. $L_0 \leq 900$ mm



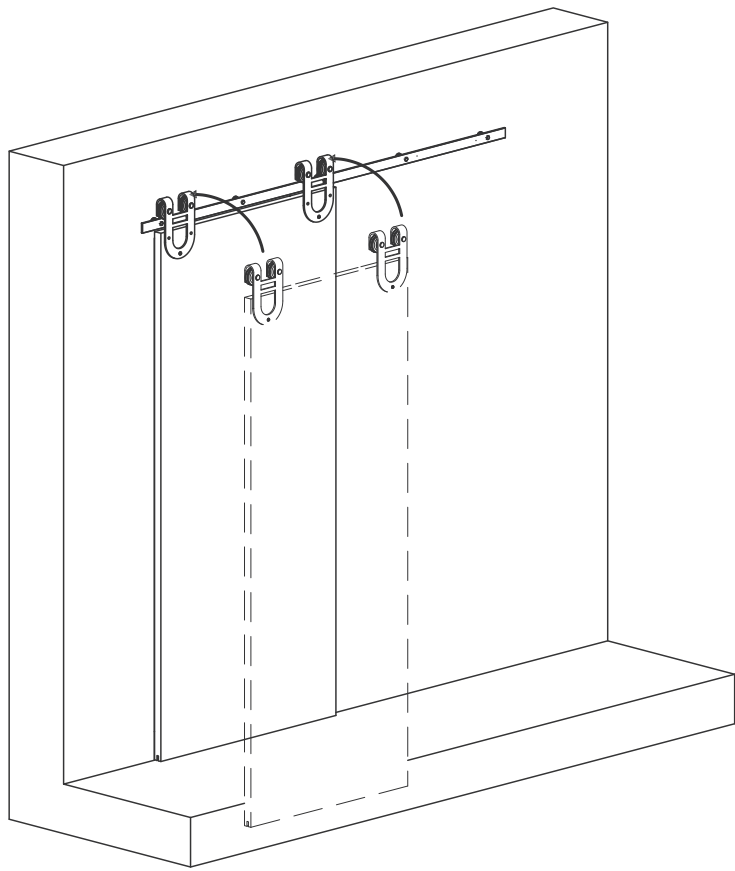
3



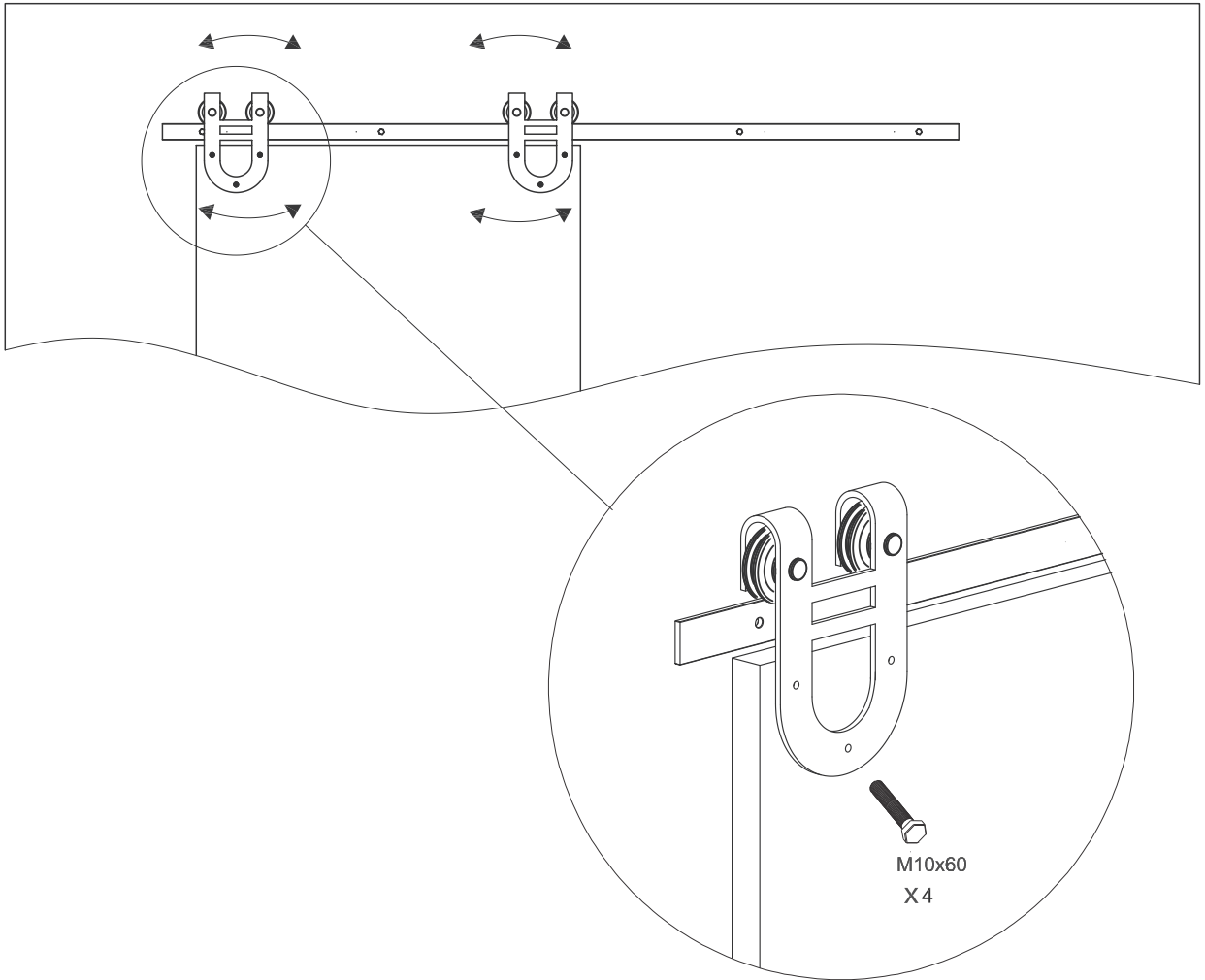
M10x60
X2



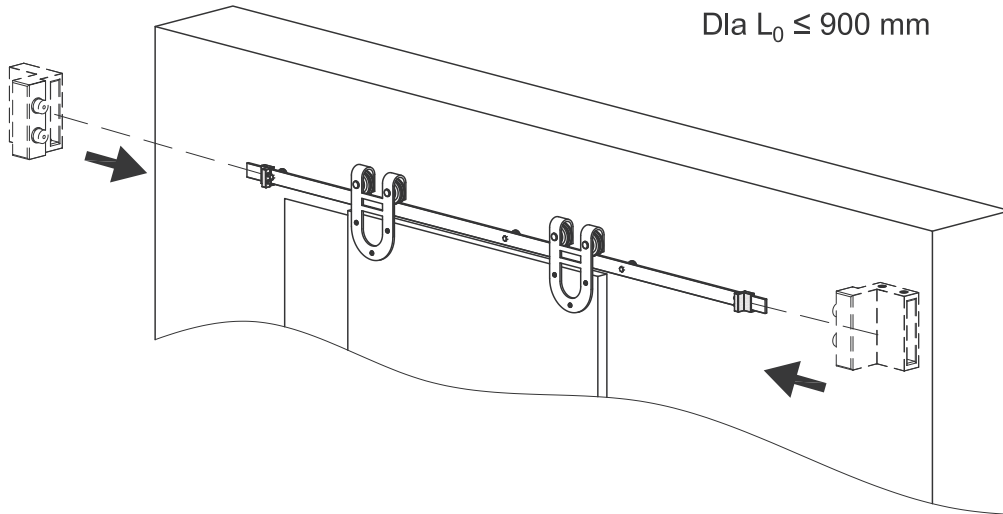
4



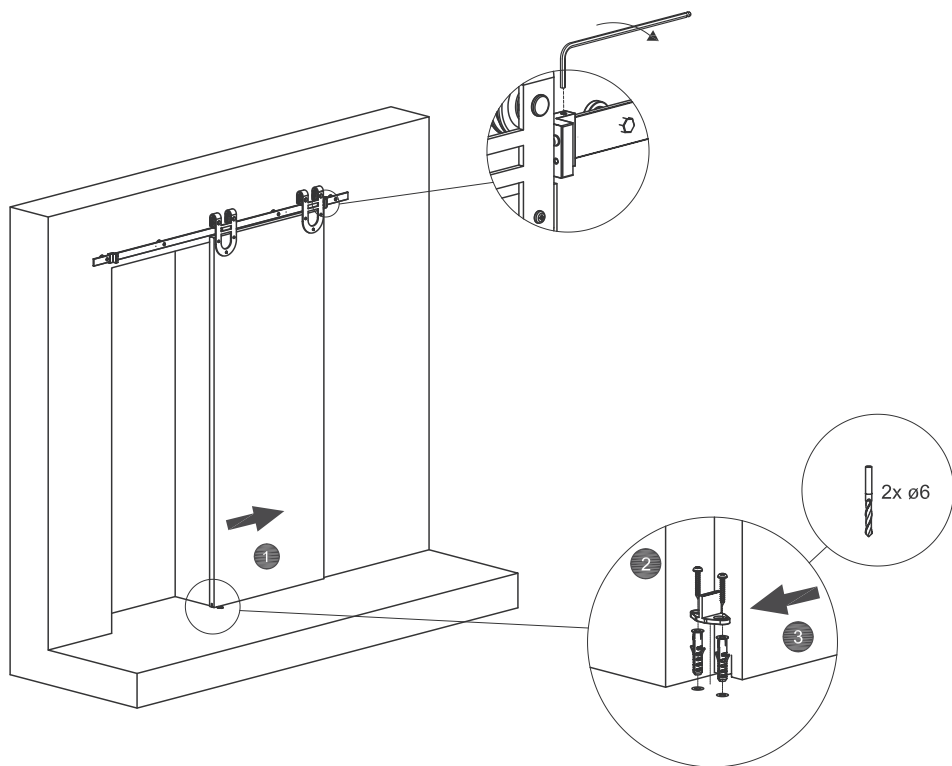
5



6



7



8

