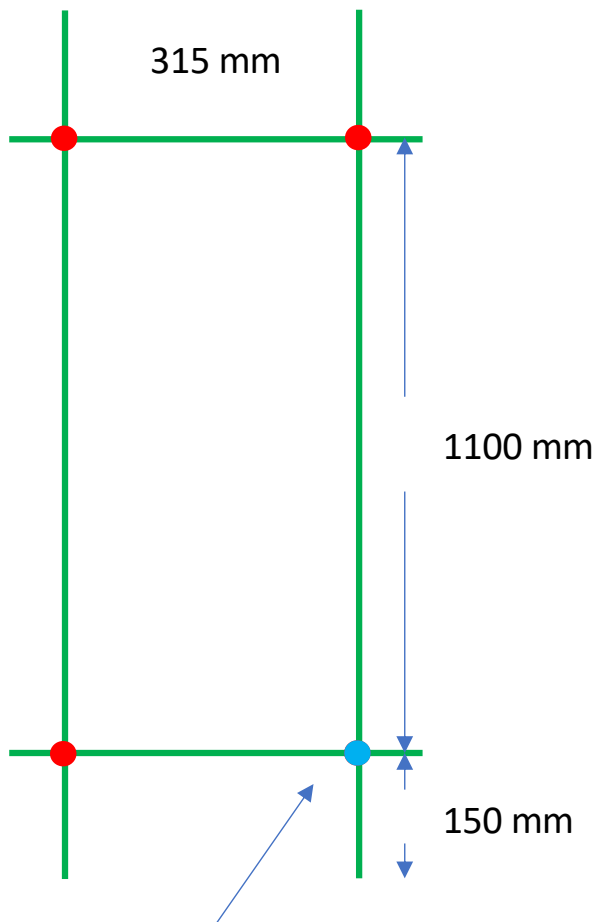


Elektro 4 WITH TIMER

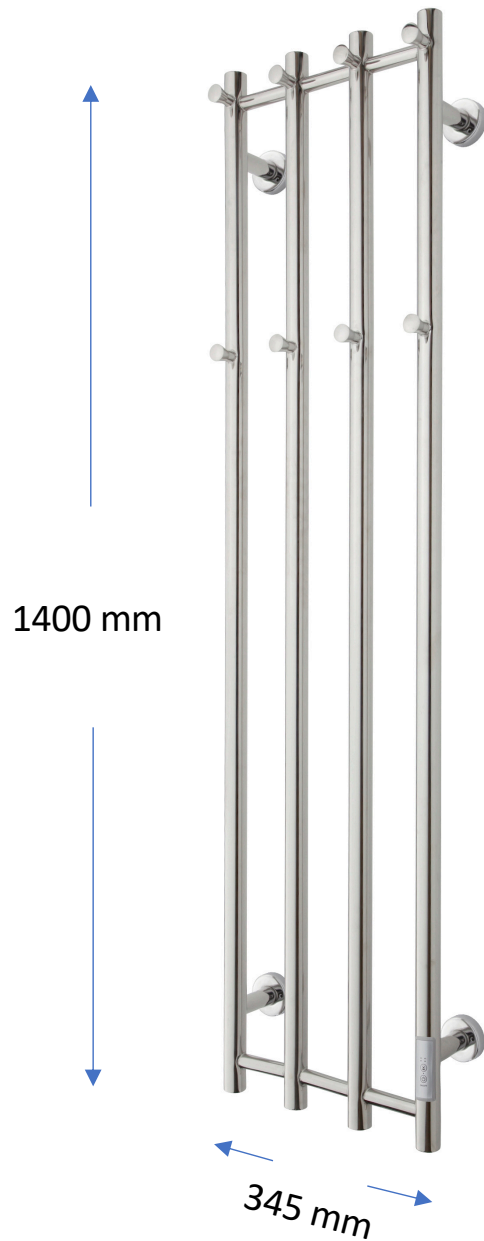
Datasheet and mounting instruction will be available on our website

www.tvvs.dk

FRONT OF THE HEATER



The cable will be mounted inside this bracket.



● = Bracket with cover rosette. The rosette covers 60 mm .

● = Bracket where the cable will be mounted. The rosette covers 75 x 50 mm.