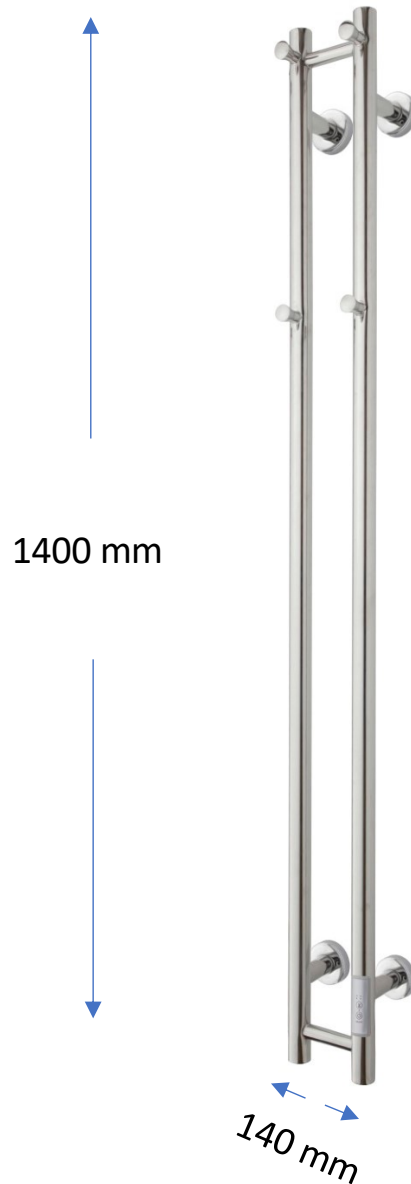
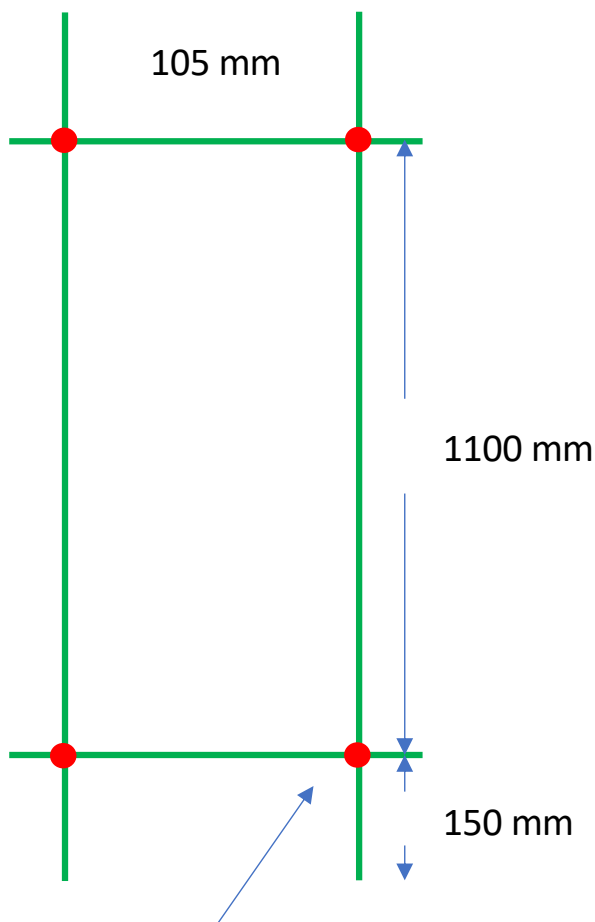


## Elektro 2 TIMER

Datasheet and mounting instruction will be available on our website

[www.tvvs.dk](http://www.tvvs.dk)

FRONT OF THE HEATER



● = Bracket with cover rosette. The rosette covers 60 mm .

● = Bracket where the cable will be mounted. The rosette covers 75 x 50 mm.