

ALTILLO (MEISTERHOLZ THERMO)

1,22

U_d VALUE
(W/m² * K)



160 kg
MAXIMUM LOAD



26 mm
HATCH THICKNESS



x1
SEAL



PROTECTIVE FEET



HANDRAIL



3
YEARS GUARANTEE



The mark of responsible forestry



ALTILLO (MEISTERHOLZ THERMO)

The ALTILLO loft ladder has got single sealing and hatch thickness 26mm. ALTILLO model is ideally suited to conditions where the attic is insulated and does not require additional thermal insulation. This ladder is equipped with non-slip feet, which perfectly adhere to the ground and prevent scratches on the floor surface. Our non-slip feet included in ALTILLO loft ladder provide an aesthetic finish for the ladder after cutting. To increase security and for comfortable use our ALTILLO loft ladder is also equipped with stable and durable handrail. In the interest of user convenience, the handrail has been designed in such a way that it can be mounted on the left or right side depending on customer preferences. The excellent quality of materials used for the production of stairs and attention to every details of finish cause that the stairs will satisfy even the most demanding customers. The maximum load during use is up to 160 kg.

Technical specification

INSULATED HATCH THICKNESS	26 mm
THICKNESS OF THERMAL INSULATION	20 mm
HATCH COLOUR FROM BOTH SIDES	WHITE
WOODEN LADDER	3 SECTION
HEIGHT OF WOODEN BOX	135 mm
WIDTH OF LADDER	400 mm
WIDTH OF STEP	358 mm
DEPTH OF STEP	80 mm
LANDING SPACE	134/148 cm
OPENING DISTANCE/ANGLE	160/166 cm
MAXIMUM CEILING HEIGHT	280 cm

Box dimensions [cm]

OUTER BOX DIMENSIONS, MOUNTING OPENING 2 CM LARGER

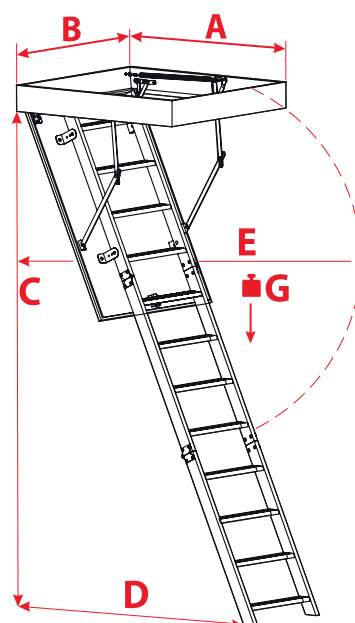
120 x 60	130 x 60
120 x 70	130 x 60

Non-Standard dimensions

Min - Max Length	110 - 140 cm
Min - Max Width	54 - 85 cm

*Unusual dimensions available in full size of untypical stairs can not exceed 1 m²

Technical Draw



> 110

C	280 cm
D	134 cm
E	160 cm
G	160 kg

< 110

C	280 cm
D	148 cm
E	166 cm
G	160 kg

Accessories



MASKING BATTEN



MOUNTING SYSTEM



HATCH BALUSTRADE