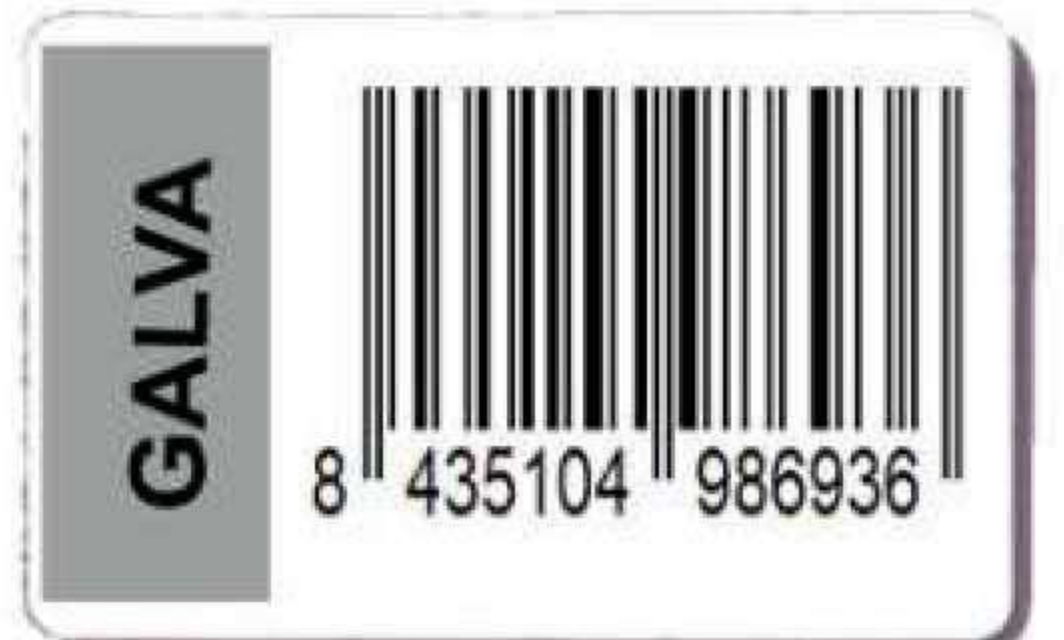
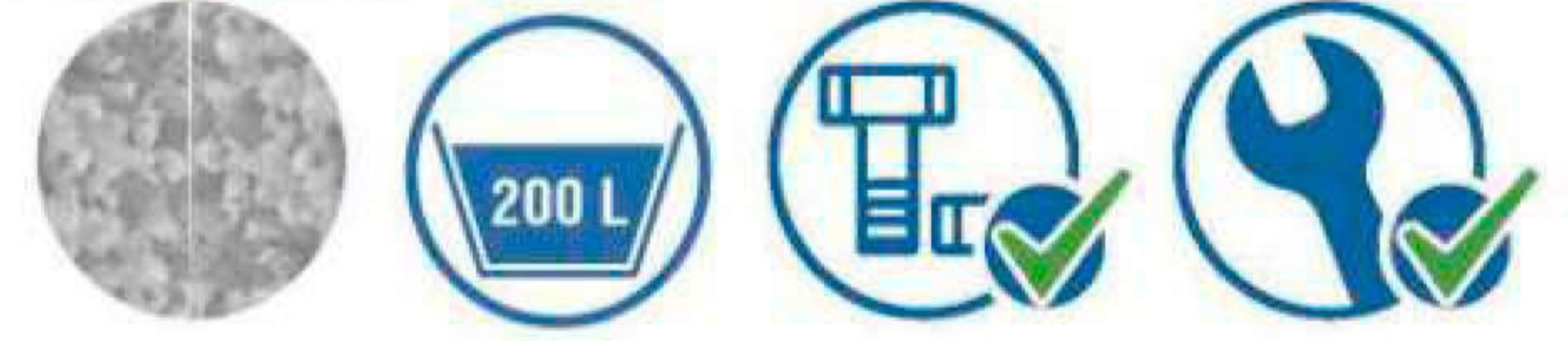


# Simongarden URBAN TOP MOBILE



**96,5 x 120 x 60 cm.**  
**38.0" x 47.2" x 23.6"**



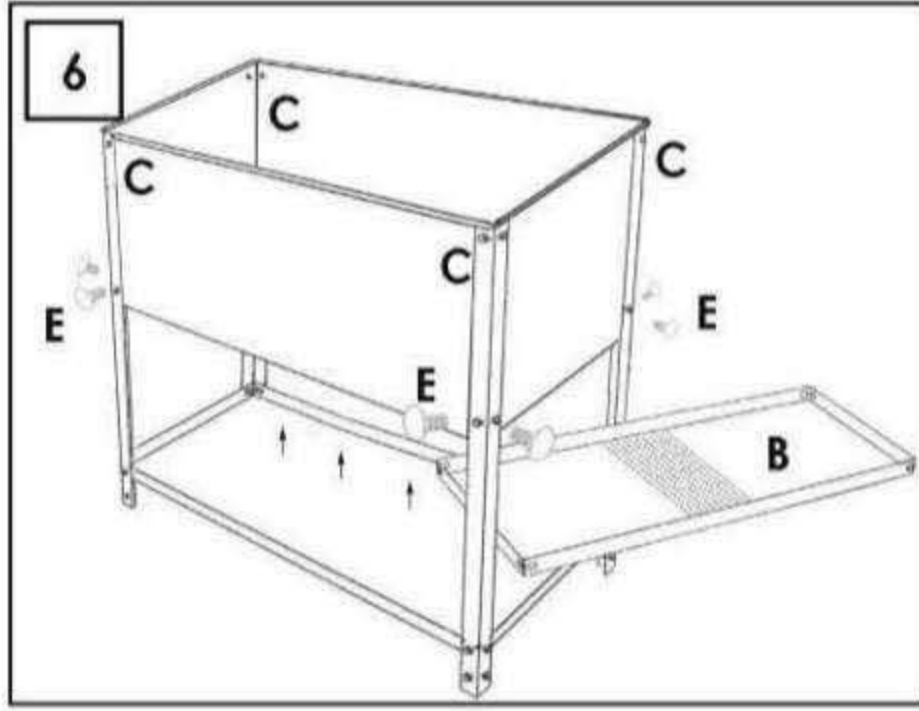
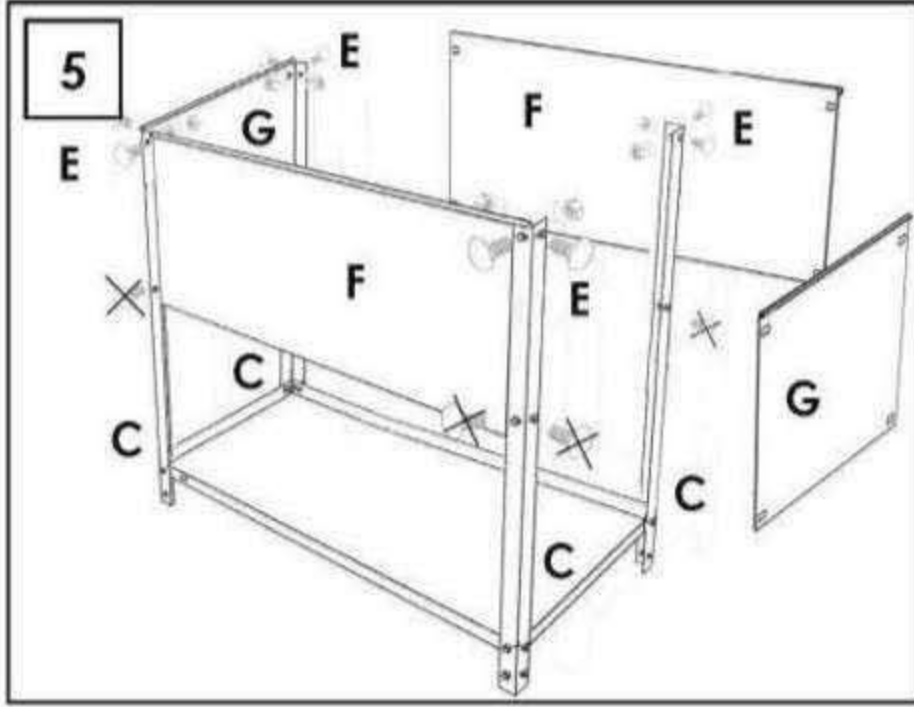
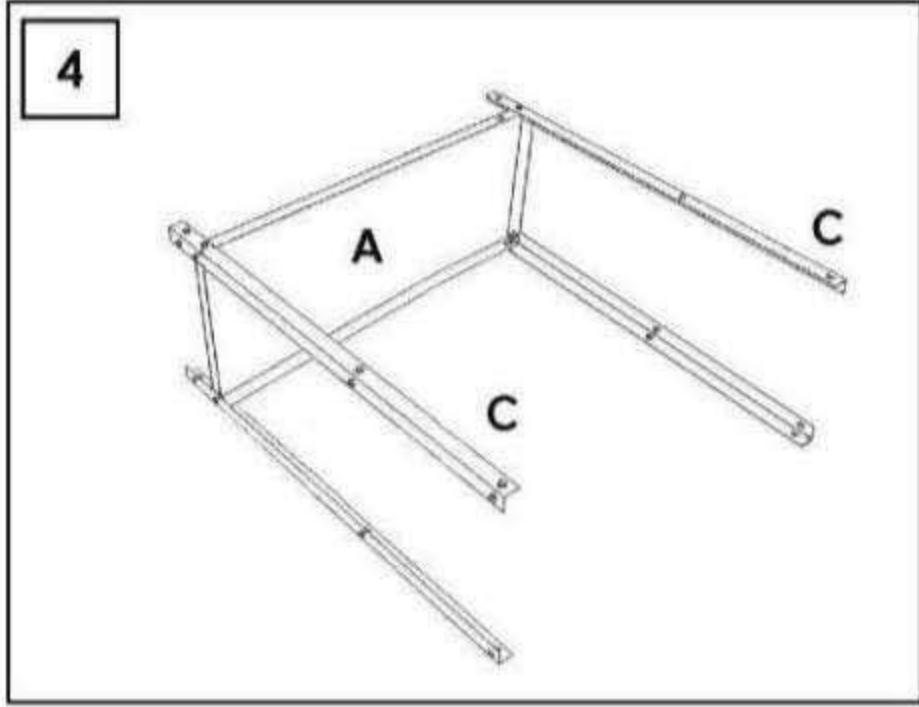
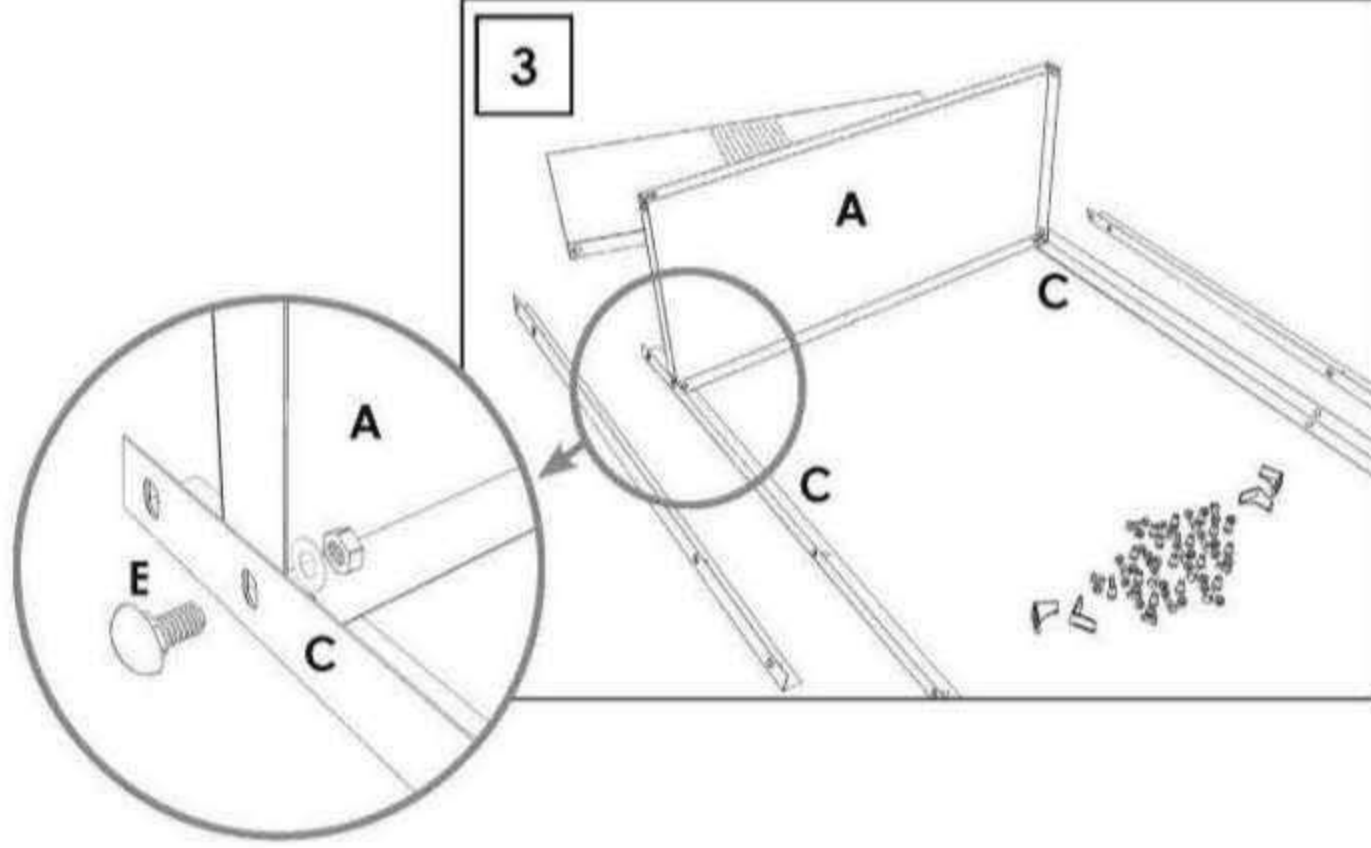
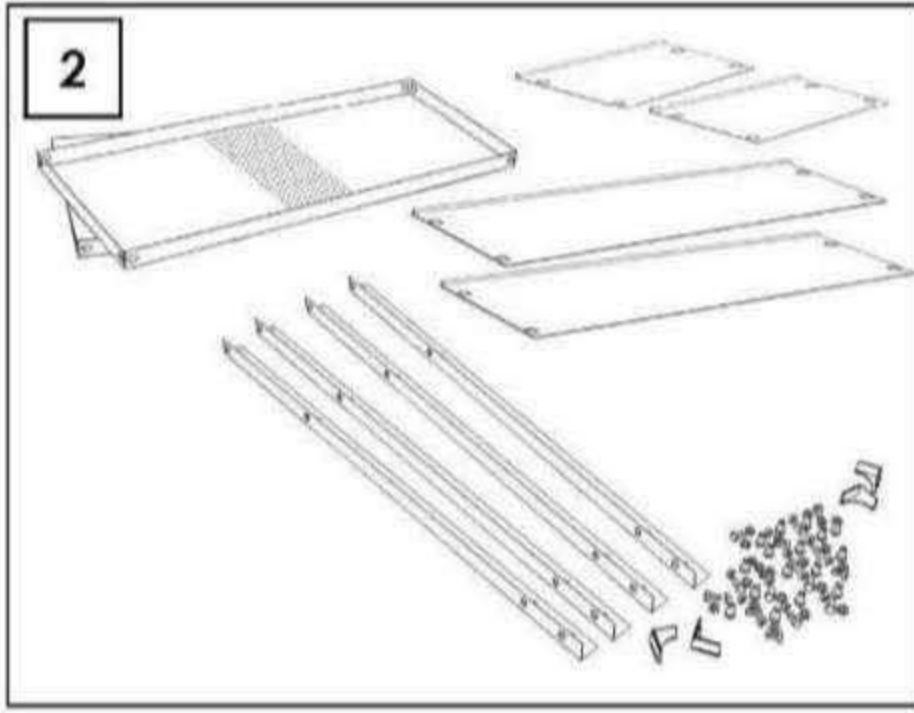
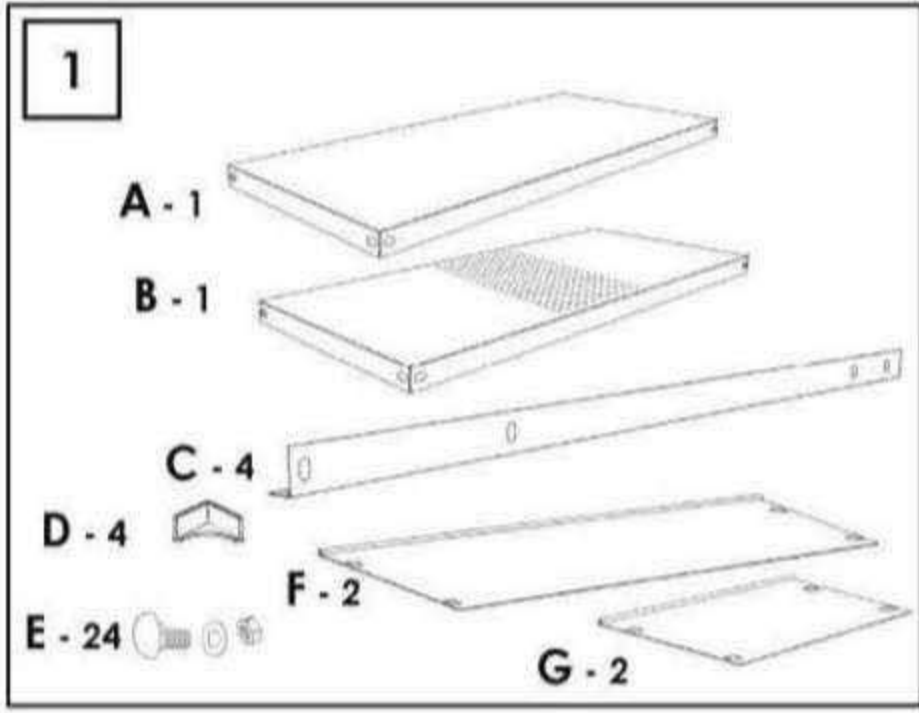
ESTANTERIAS SIMON S.L. B. 50.566.463  
PG. ALFAMEN C/ POLIGONO C, Nº3  
ALFAMEN (ZARAGOZA)



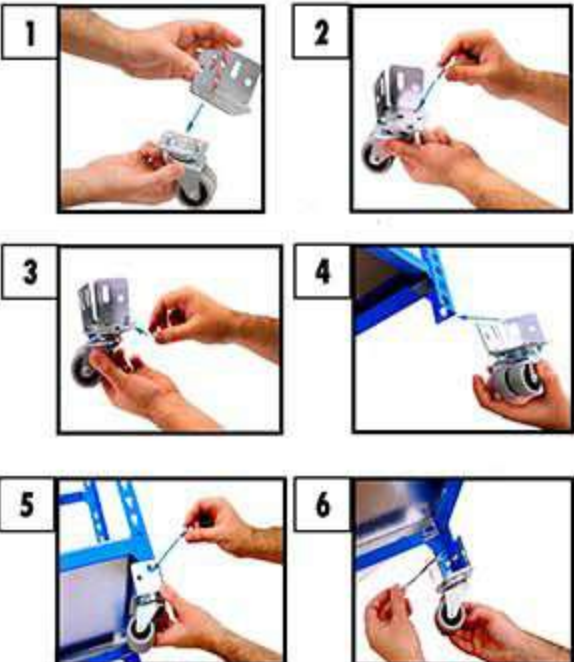
info@simonrack.com  
www.simonrack.com  
Telf. (+34) 976 628 537  
Fax (+34) 976 628 542



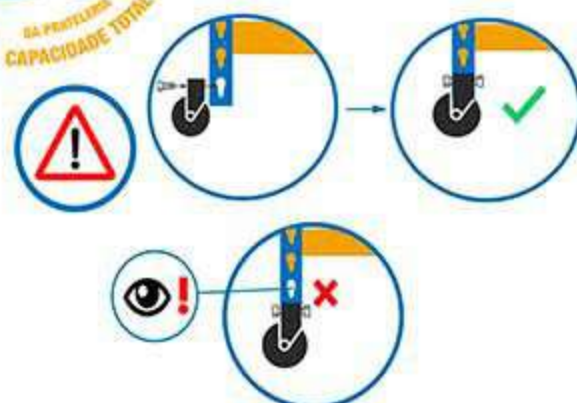
INSTRUCTIONS



**Carga uniformemente repartida**  
Evenly distributed load  
Gleichmäßig verteilte Last  
Charge uniformément répartie  
Carga uniformemente distribuída



**120 KG**  
CAPACIDAD TOTAL DE LA ESTANTERIA  
TOTAL CAPACITY OF THE SHELVES  
CAPACITÀ TOTALE DELLO SCAPFALLE  
TOTAL CAPACITY OF THE SHELVES



**Colocar larguero en el primer agujero disponible**  
First beam in the hole immediately above the wheel  
Erstes Quertraverse im Loch direkt über dem Rad  
Premier montant dans le trou juste au-dessus de la roue  
Primeira travessa no orifício logo acima da roda

**SIMONCLASSIC**



**SIMONCLICK**



**SIMONOFFICE**



**SIMONTALLER**



**BANCOS DE TRABAJO  
WORK BENCHES**



**SIMONHOME**



**TAQUILLAS  
LOCKER**



**SIMONTITÁN**



**SIMONINOX**



**SIMONPALET**



**SIMONLEVER**



**ALTILLOS Y PASILLOS ELEVADOS  
PLATFORMS AND MEZZANINES**

