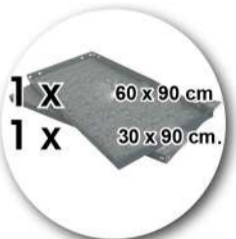
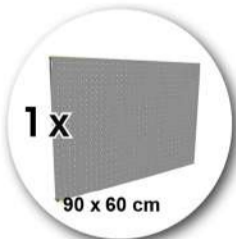
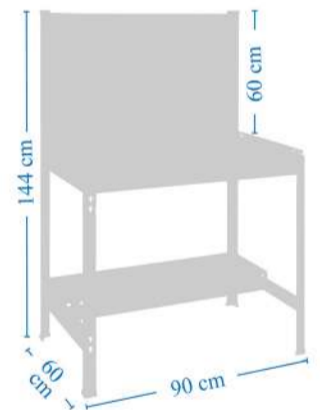


# BT-2 Garden 900

144 x 90 x 60 cm    56.7" x 35.4" x 23.6"

**5** Años Garantía  
Years Guarantee  
Jahre Garantie  
Ans Garantie  
Anos de Garantia  
**SIMONRACK**



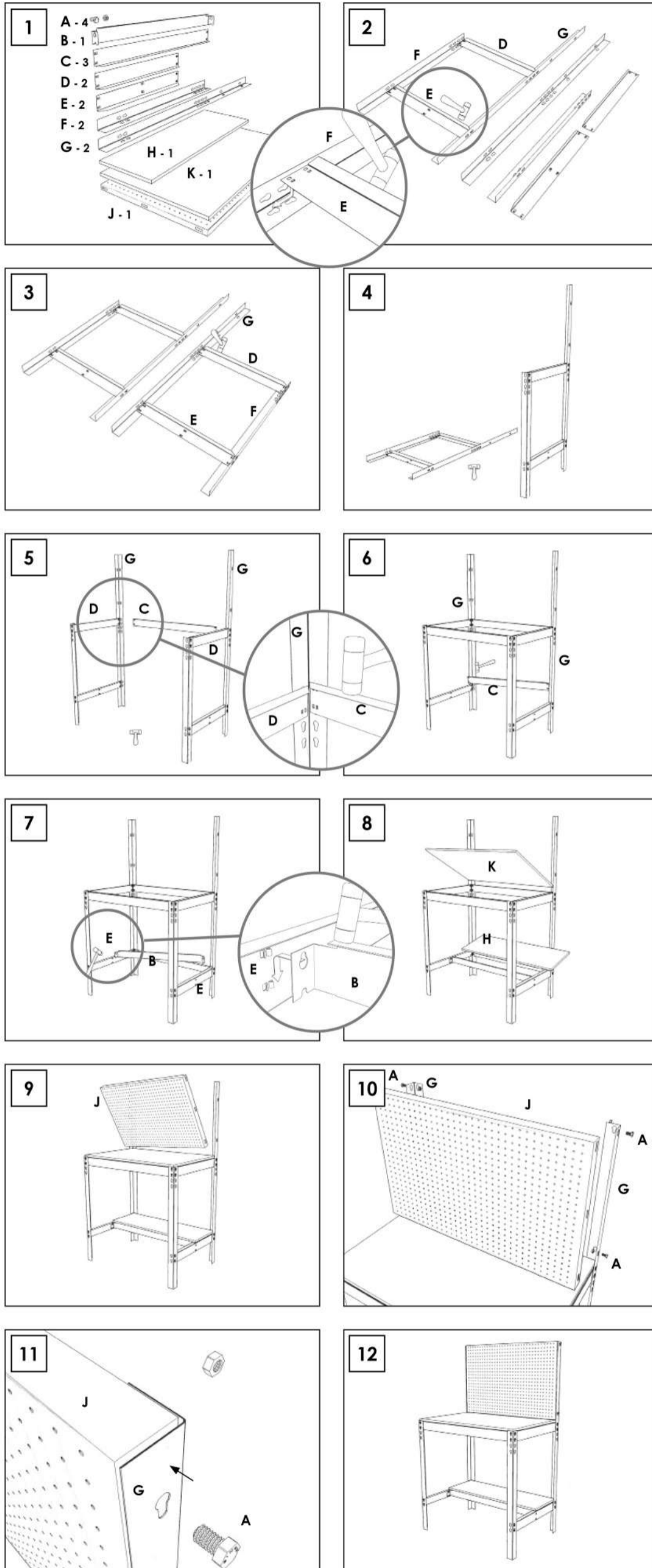
\*MEDIDAS EN USO    USED MEASUREMENTS  
MASSNAHMEN IM EINSATZ    MESURES EN EMPLOI    MEDIDAS EM USO:  
1400 x 910 x 610 mm ( 55.1" x 35.8" x 24" )



info@simonrack.com  
www.simonrack.com  
Polígono de Alfamén  
C/ Polígono C, nº 3  
50.461 Alfamén (Zaragoza) SPAIN  
Telf. (+34) 976 628 537  
Fax (+34) 976 628 542



**INSTRUCTIONS**



**600Kg**  
Kg./Shelf  
Uniformly Distributed Load

Montaje sin Tornillos  
Boltless  
Montage ohne Schrauben  
Montaggio senza Viti  
Montage sans vis

Color del producto  
Structure Colours  
Produkt Farbe  
Prodotto Colore  
Couleur du produit

Admite Ruedas  
Supports Wheels  
Unterstützt Räder  
Supporta Wheels  
Admet des Roues

On-line instructions: [www.instructionsrack.com/bt2box](http://www.instructionsrack.com/bt2box)

[www.simonrack.com](http://www.simonrack.com)

**SIMONCLASSIC**

BOLTS  
SYSTEM

Up to:  
**100 Kg.**  
Kg./Shelf  
Uniformly Distributed Load



**SIMONCLICK**

NO BOLTS  
SYSTEM

Up to:  
**180 Kg.**  
Kg./Shelf  
Uniformly Distributed Load



**SIMONOFFICE**

NO BOLTS  
SYSTEM

Up to:  
**275 Kg.**  
Kg./Shelf  
Uniformly Distributed Load



**SIMONTALLER**

NO BOLTS  
SYSTEM

Up to:  
**600 Kg.**  
Kg./Shelf  
Uniformly Distributed Load



**BANCOS DE TRABAJO**

Up to:  
**800 Kg.**  
Kg./Shelf  
Uniformly Distributed Load



**SIMONHOME**

Up to:  
**150 Kg.**  
Kg./Shelf  
Uniformly Distributed Load



**TAQUILLAS**



**SIMONTITÁN**

NO BOLTS  
SYSTEM

Up to:  
**900 Kg.**  
Kg./Shelf  
Uniformly Distributed Load



**SIMONINOX**

NO BOLTS  
SYSTEM

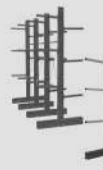


**SIMONPALET**

Up to:  
**4500 Kg.**  
Kg./Shelf  
Uniformly Distributed Load



**SIMONLEVER**



**ALTILLOS Y PASILLOS ELEVADOS**

