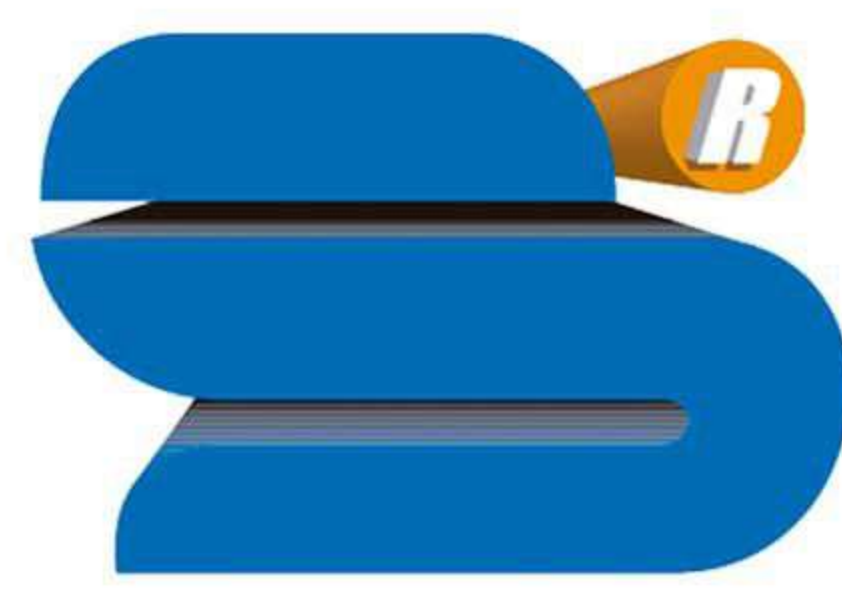




**Simon  
Rack**  
SINCE 1964 - MANUFACTURER



**Simon  
Garden**

# Simongarden Urban

## 41 x 90 x 40 cm

### 16.1" x 35.4" x 15.8"



\*MEDIDAS EN USO: 419 x 924 x 421 mm  
USED MEASUREMENTS: 16.50" x 36.38" x 16.6"



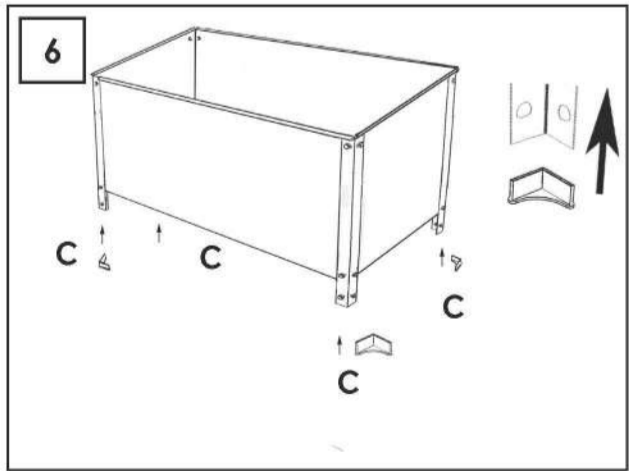
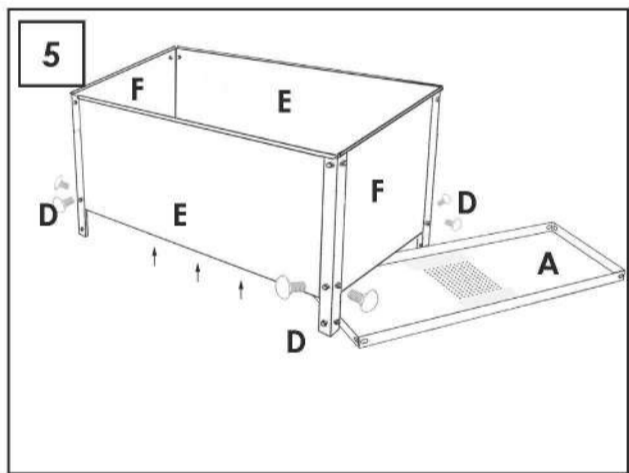
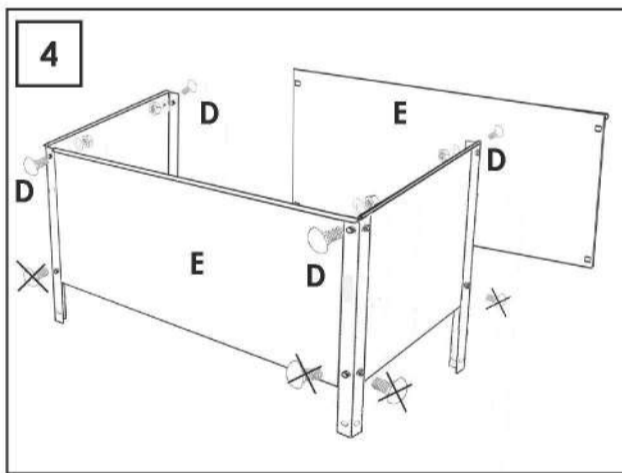
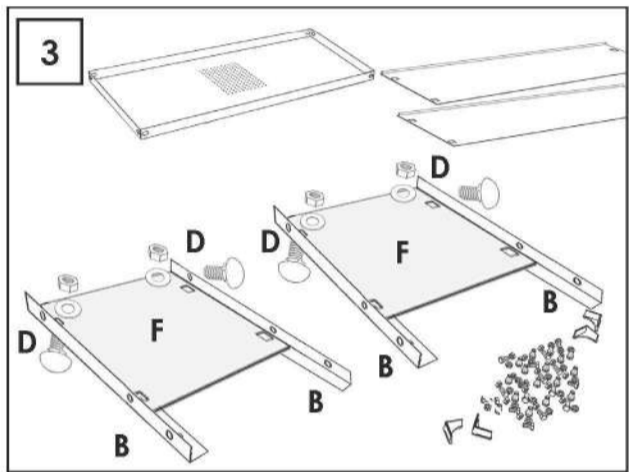
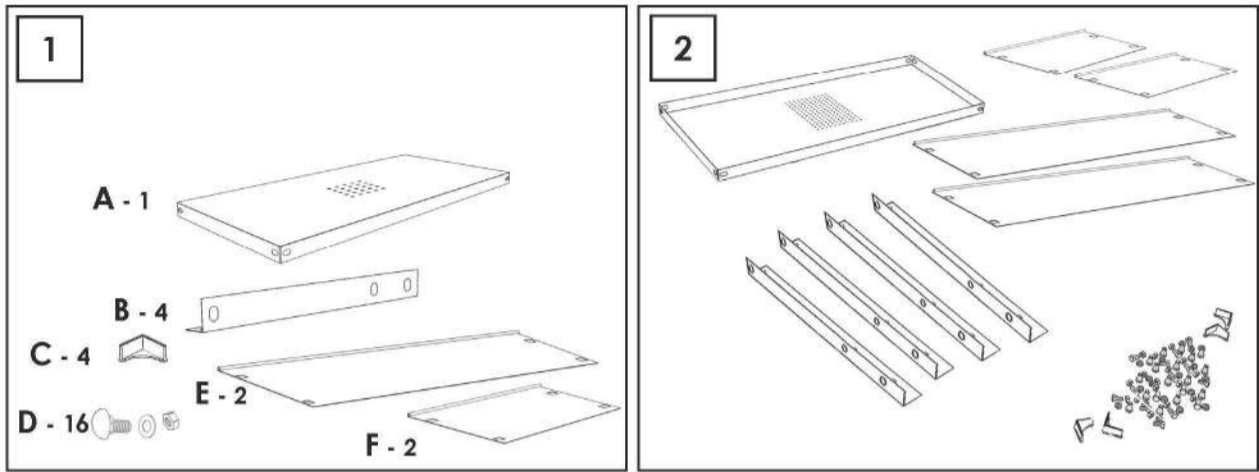
ESTANTERIAS SIMON S.L. B.50.556.463  
PG. ALFAMEN C/ POLIGONO C, N°3  
ALFAMEN (ZARAGOZA)



info@simonrack.com  
www.simonrack.com  
Telf. (+34) 976 628 537  
Fax (+34) 976 628 542



**INSTRUCTIONS**



www.simonrack.com • www.simonrack.com • www.simonrack.com • www.simonrack.com • www.simonrack.com • www.simonrack.com • www.simonrack.com • www.simonrack.com • www.simonrack.com • www.simonrack.com

**SIMONCLASSIC**



**SIMONCLICK**



**SIMONOFFICE**



**SIMONTALLER**



**BANCOS DE TRABAJO WORK BENCHES**



**SIMONHOME**



**TAQUILLAS LOCKER**



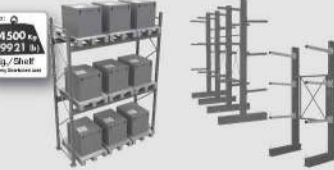
**SIMONTITÁN**



**SIMONINOX**



**SIMONPALET**



**SIMONLEVER**



**ALTILLOS Y PASILLOS ELEVADOS PLATFORMS AND MEZZANINES**

