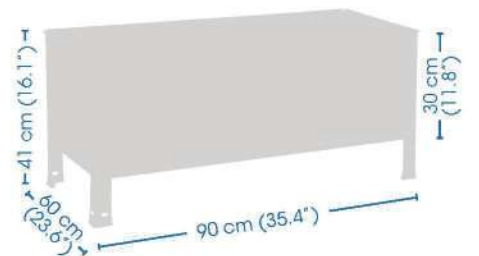


# Simongarden Urban

**41 x 90 x 60 cm**

**16.1" x 35.4" x 23.6"**



\*MEDIDAS EN USO: 419 x 924 x 621 mm  
USED MEASUREMENTS: 16.50" x 36.38" x 24.45"

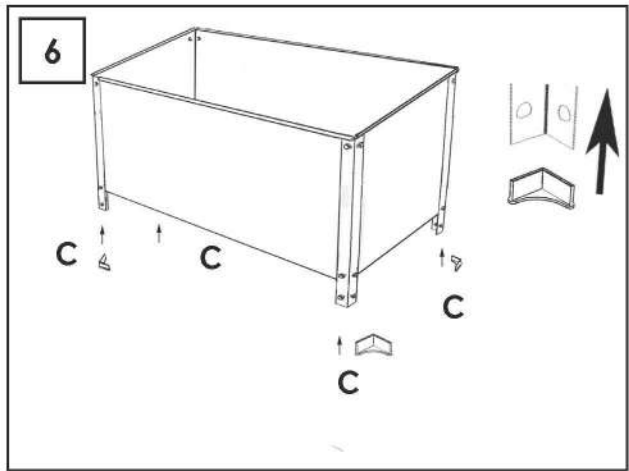
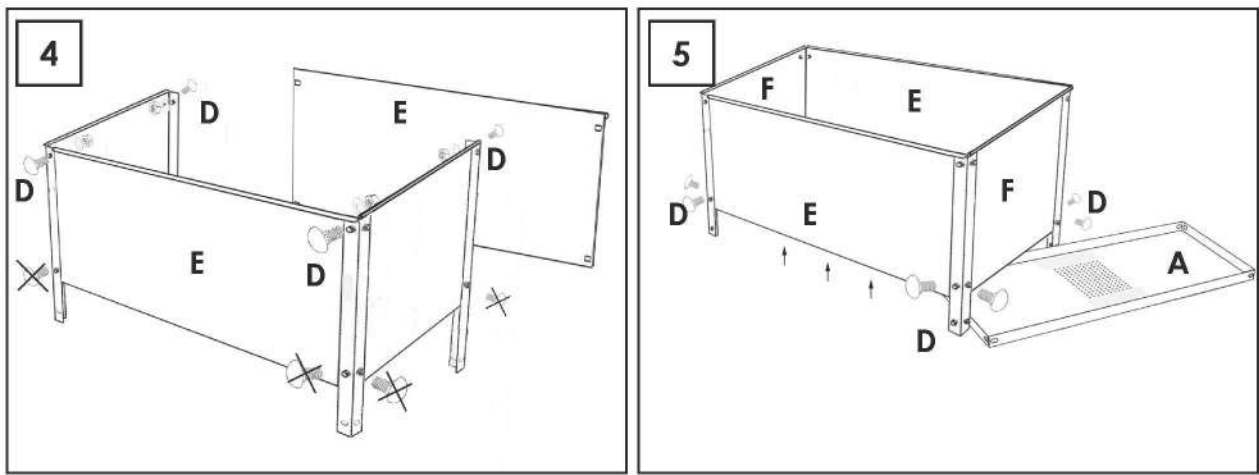
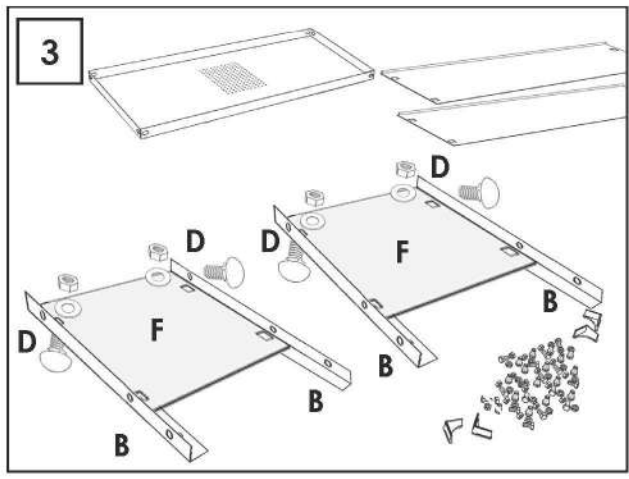
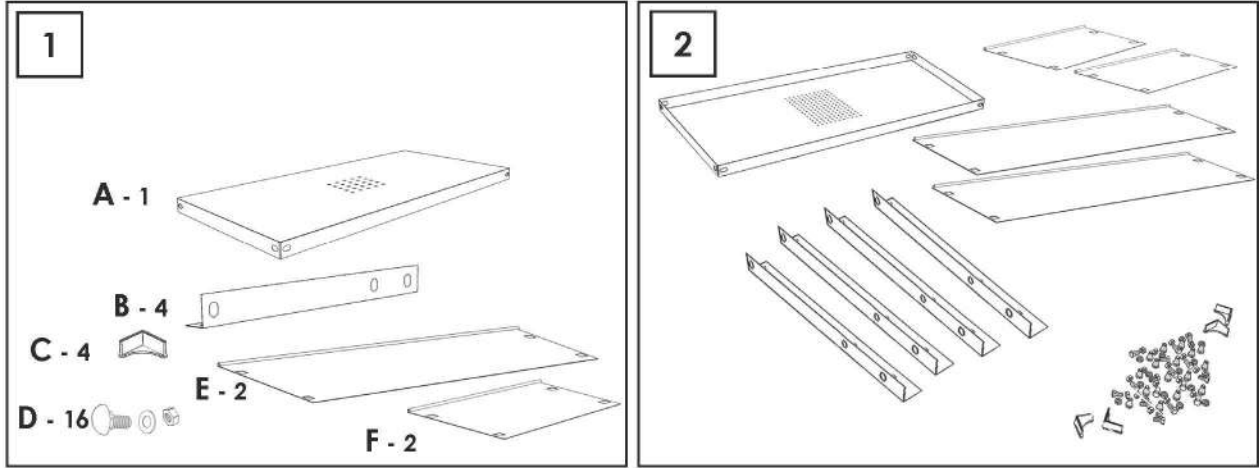


ESTANTERIAS SIMON S.L. B.50.556.463  
PG. ALFAMEN C/ POLIGONO C, N°3  
ALFAMEN (ZARAGOZA)



info@simonrack.com  
www.simonrack.com  
Telf. (+34) 976 628 537  
Fax (+34) 976 628 542





**SIMONCLASSIC**



**SIMONCLICK**



**SIMONOFFICE**



**SIMONTALLER**



**BANCOS DE TRABAJO  
WORK BENCHES**



**SIMONHOME**



**TAQUILLAS  
LOCKER**



**SIMONTITÁN**



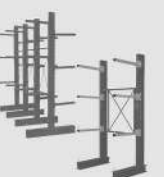
**SIMONINOX**



**SIMONPALET**



**SIMONLEVER**



**ALTILLOS Y PASILLOS ELEVADOS  
PLATFORMS AND MEZZANINES**



www.simonrack.com • www.simonrack.com • www.simonrack.com • www.simonrack.com • www.simonrack.com • www.simonrack.com • www.simonrack.com • www.simonrack.com • www.simonrack.com • www.simonrack.com