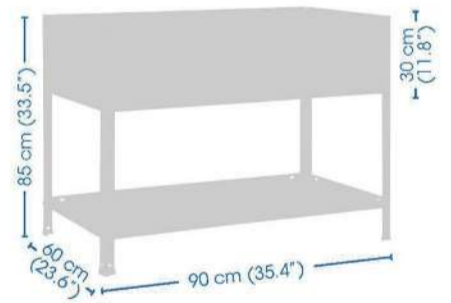


Simongarden Urban Top



85 x 90 x 60 cm*
33.5" x 35.4" x 23.6"



*MEDIDAS EN USO: 859 x 924 x 621 mm
USED MEASUREMENTS: 33.82" x 36.38" x 24.45"

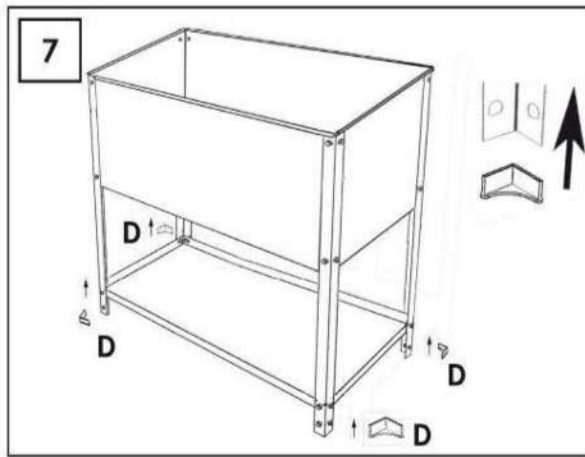
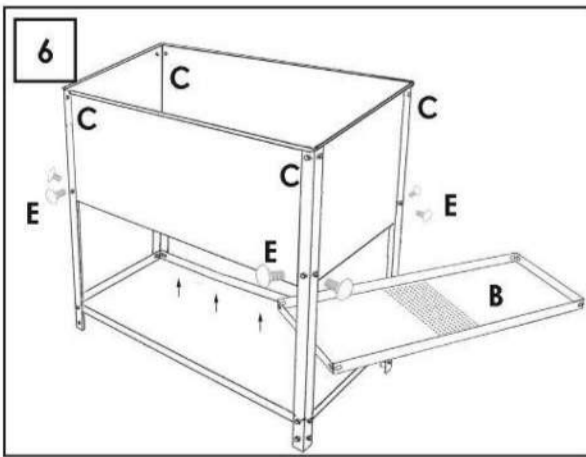
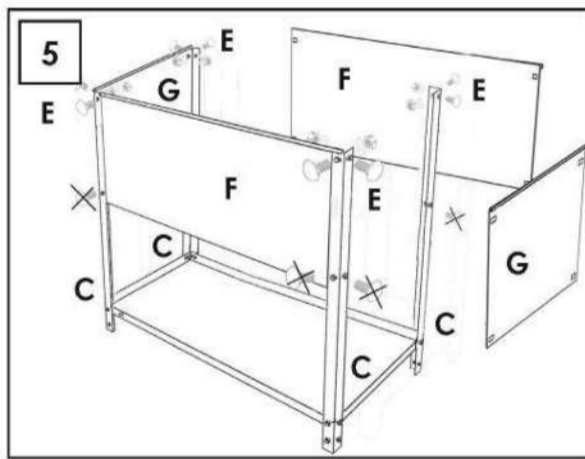
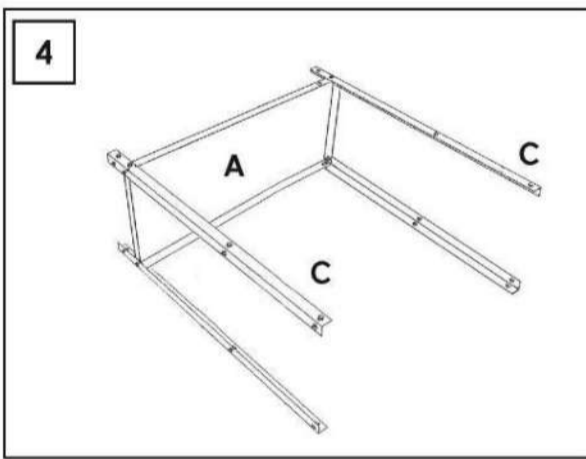
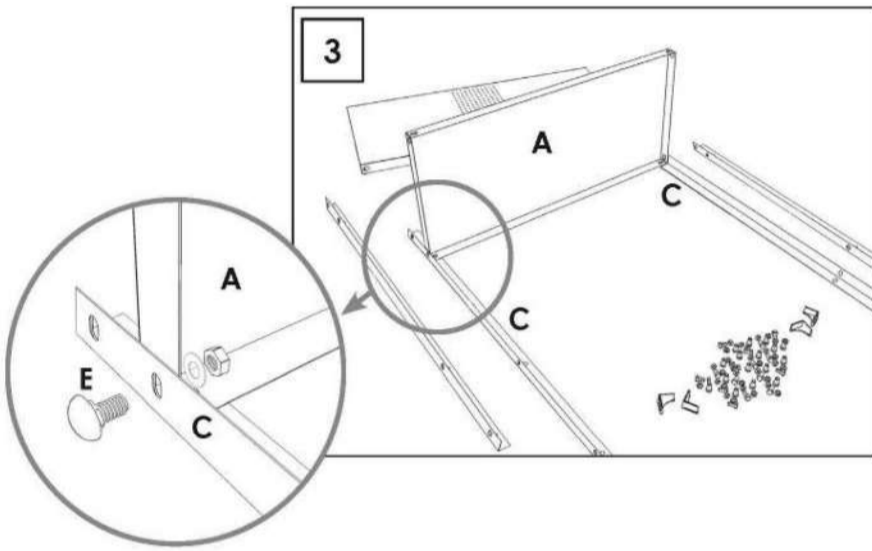
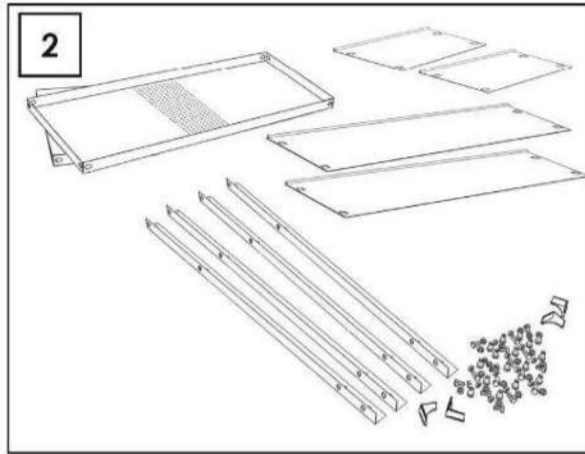
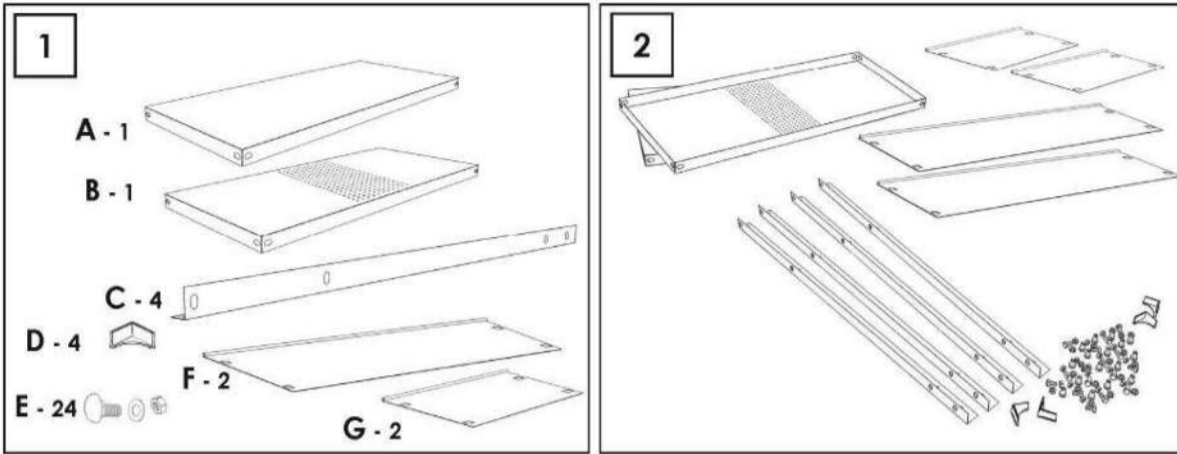


ESTANTERIAS SIMON S.L. B.50.556.463
PG. ALFAMEN C/ POLIGONO C, Nº3
ALFAMEN (ZARAGOZA)



info@simonrack.com
www.simonrack.com
Telf. (+34) 976 628 537
Fax (+34) 976 628 542





www.simonrack.com • www.simonrack.com • www.simonrack.com • www.simonrack.com • www.simonrack.com • www.simonrack.com • www.simonrack.com

SIMONCLASSIC

 **BOLTS SYSTEM**

Up to: **150 Kg** (331 lb)
Kg/Shelf (Under the Divided Unit)

SIMONCLICK

 **NO BOLTS SYSTEM**

Up to: **400 Kg** (882 lb)
Kg/Shelf (Under the Divided Unit)

SIMONOFFICE

 **NO BOLTS SYSTEM**

Up to: **275 Kg** (606 lb)
Kg/Shelf (Under the Divided Unit)

SIMONTALLER

 **NO BOLTS SYSTEM**

Up to: **700 Kg** (1543 lb)
Kg/Shelf (Under the Divided Unit)

**BANCOS DE TRABAJO
WORK BENCHES**

 **Up to:** **800 Kg** (1764 lb)
Kg/Shelf (Under the Divided Unit)


SIMONHOME


Up to: **150 Kg** (331 lb)
Kg/Shelf (Under the Divided Unit)

**TAGUILLAS
LOCKER**



SIMONTITÁN

 **NO BOLTS SYSTEM**

Up to: **900 Kg** (1984 lb)
Kg/Shelf (Under the Divided Unit)

SIMONINOX

 **NO BOLTS SYSTEM**


SIMONPALET


Up to: **4500 Kg** (9921 lb)
Kg/Shelf (Under the Divided Unit)

SIMONLEVER



**ALTILLOS Y PASILLOS ELEVADOS
PLATFORMS AND MEZZANINES**

