

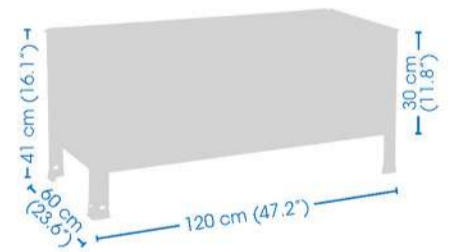


**Simon
Rack**
SINCE 1964 - MANUFACTURER

Simongarden URBAN MOBILE

52.5 x 120 x 60 cm

20.7" x 47.2" x 23.6"



*MEDIDAS EN USO: 419 x 1224 x 621 mm
USED MEASUREMENTS: 16.50" x 48.19" x 24.45"

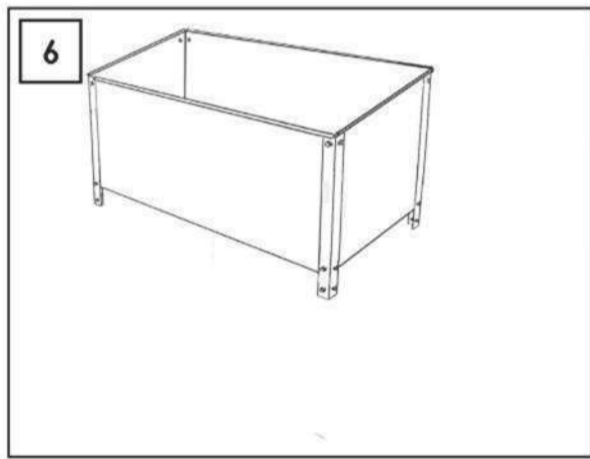
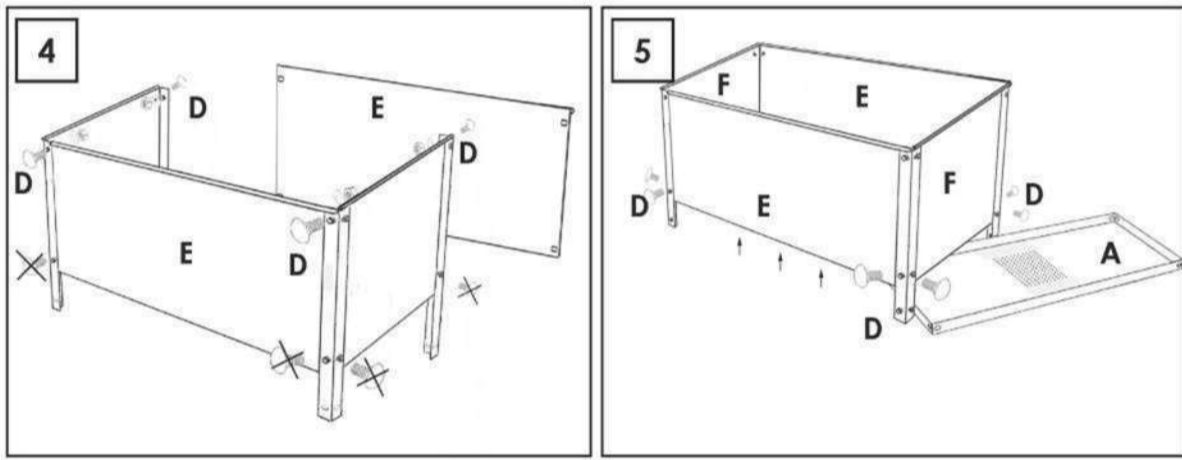
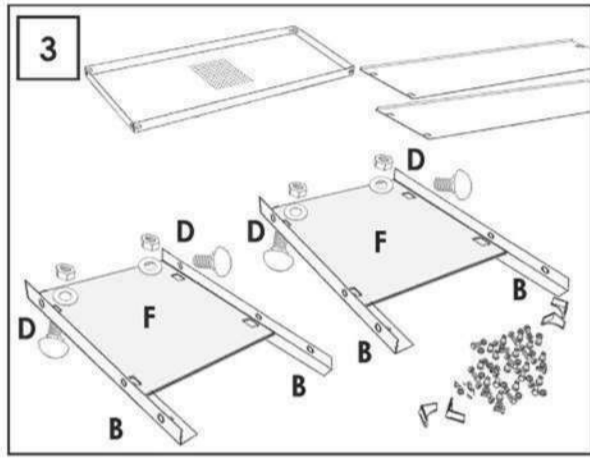
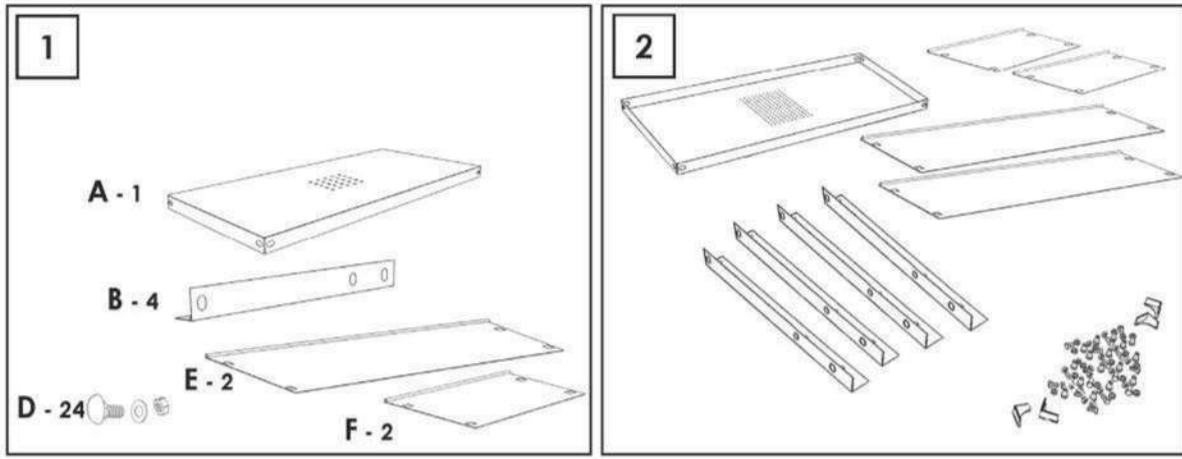


ESTANTERIAS SIMON S.L. B.50.556.463
PG. ALFAMEN C/ POLIGONO C, N°3
ALFAMEN (ZARAGOZA)

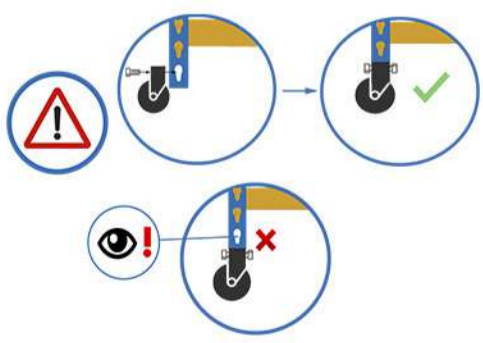
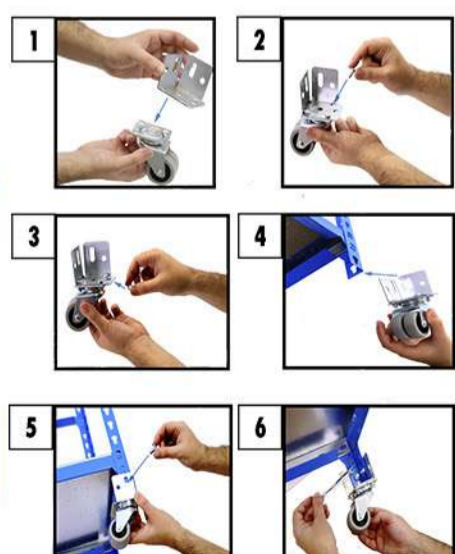


info@simonrack.com
www.simonrack.com
Telf. (+34) 976 628 537
Fax (+34) 976 628 542





Carga uniformemente repartida
Evenly distributed load
Gleichmäßig verteilte Last
Charge uniformément répartie
Carga uniformemente distribuída



Colocar larguero en el primer agujero disponible
First beam in the hole immediately above the wheel
Erstes Quertraverse im Loch direkt über dem Rad
Premier monté dans le trou juste au-dessus de la roue
Primeira travessa no orifício logo acima da roda

SIMONCLASSIC



SIMONCLICK



SIMONOFFICE



SIMONTALLER



BANCOS DE TRABAJO WORK BENCHES



SIMONHOME



TAGUILLAS LOCKER



SIMONTITÁN



SIMONINOX



SIMONPALET



SIMONLEVER



ALTILLOS Y PASILLOS ELEVADOS PLATFORMS AND MEZZANINES

